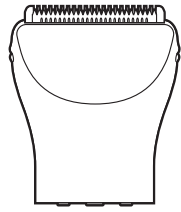
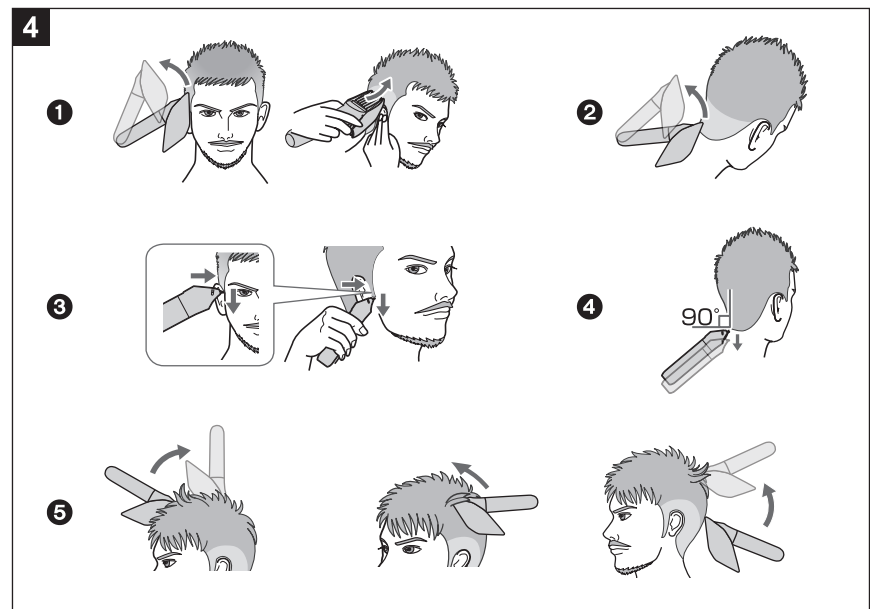
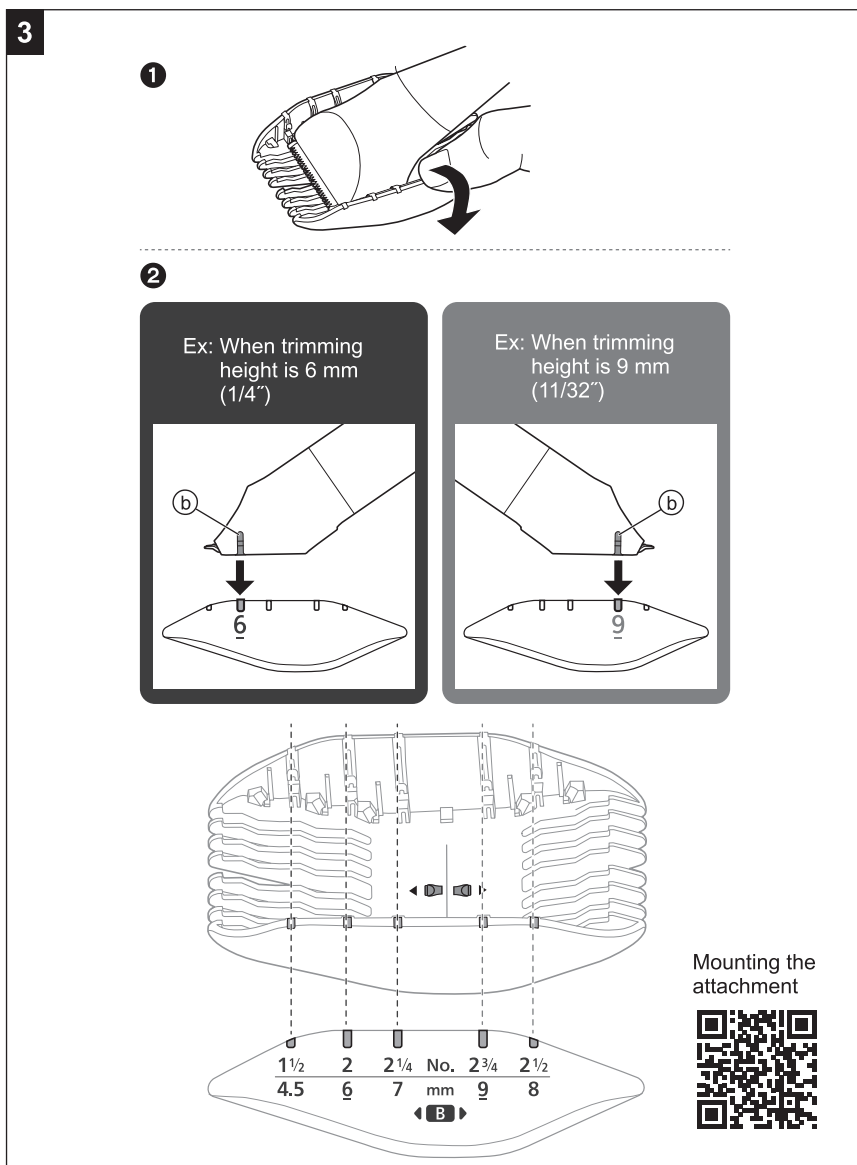
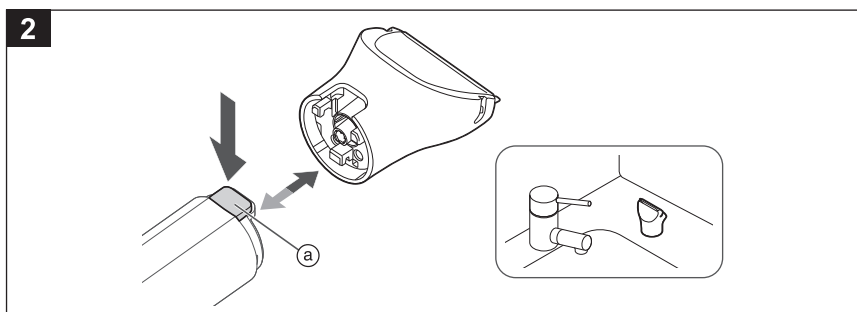
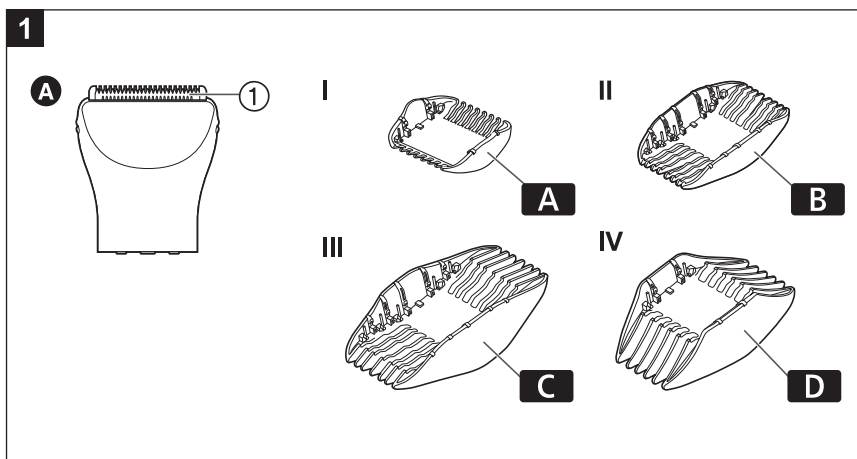


# Panasonic®

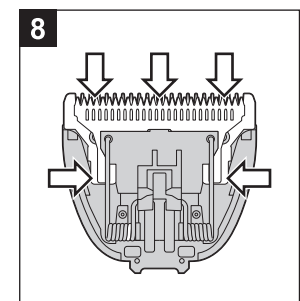
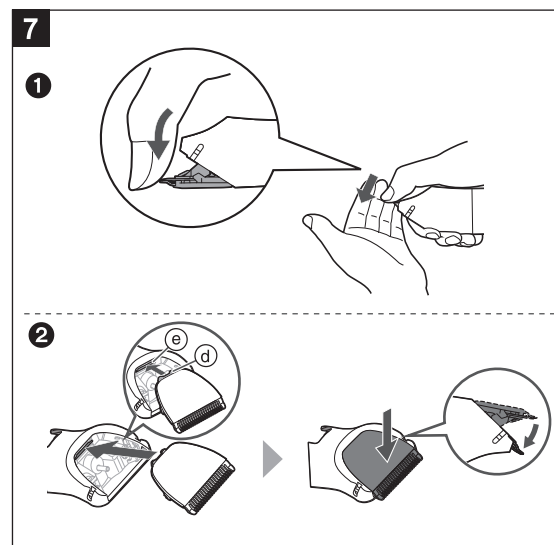
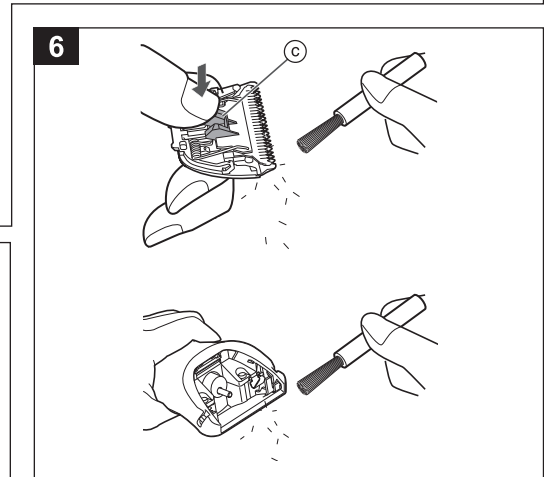
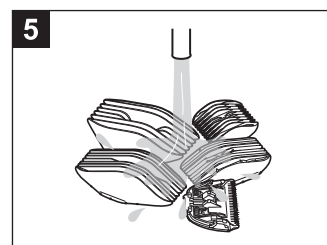
Operating Instructions  
(Household use) Hair Clipper Head  
Model No. ER-CHC1



USA



Using the attachment



Thank you for purchasing this Panasonic product.  
**Before operating this unit, please read these instructions completely and save them for future use.**

### Safety precautions

Follow these instructions.

To prevent accidents, injuries or damage to property, please follow the instructions below.

■ **The following chart indicates the degree of damage caused by improper operation.**

**CAUTION** Indicates potential hazard that could result in minor injury or property damage.

### CAUTION

- ▶ **Protecting the skin**
  - Do not press the blade firmly against the skin.
  - Do not use the appliance for any purpose other than trimming hair.
  - Do not directly apply the blades on ears or rough skin (such as swellings, injuries or blemishes).
    - Doing so may cause injury to ears or uneven skin.
  - Check the blades are not damaged or deformed before use.
    - Failure to do so may cause injury to the skin.

### Important information

- Before using an attachment, check that it has been installed correctly. Failure to do so may cause hair to be cut too short.
- The appliance should not be used on animals.
- Apply the lubrication oil to the blade before and after each use. Failure to apply the lubrication oil may cause the following problems.
  - The appliance has become blunt.
  - Shorter operating time.
  - Louder sound.
- The appliance may become warm during operation and/or charging. This is normal.
- The symbol on the right means suitable for cleaning under an open water tap. Detach the main body from the AC adaptor before cleaning it in water.



## Parts identification (Fig. 1)

### A Head

#### ① Blade

### ► Attachments

- I Comb attachment A
- II Comb attachment B
- III Comb attachment C
- IV Comb attachment D

| Comb Attachment | mm  | Inch*  | No. |
|-----------------|-----|--------|-----|
| A               | 1.5 | 1/16"  | 1/2 |
|                 | 3   | 1/8"   | 1   |
| B               | 4.5 | 3/16"  | 1½  |
|                 | 6   | 1/4"   | 2   |
|                 | 7   | 9/32"  | 2¼  |
|                 | 8   | 5/16"  | 2½  |
| C               | 9   | 11/32" | 2¾  |
|                 | 10  | 3/8"   | 3   |
|                 | 13  | 1/2"   | 4   |
|                 | 16  | 5/8"   | 5   |
| D               | 19  | 3/4"   | 6   |
|                 | 22  | 7/8"   | 7   |
|                 | 25  | 1"     | 8   |
|                 | 30  | 1¼"    | 10  |

\*Inch is just a reference.

## How to use

- Clean the appliance after use.

### 1 Mount the head to the main body until it clicks.

### 2 Mount the desired attachment.

- It can also be used without the attachment.  
(Trimming height: Approximately 0.9 mm (1/32")\*)
- Do not use the attachment on wet hair. Wet hair might clump or stick to the skin, becoming hard to trim.
- Actual hair length will be a little longer than the height you set.
- \* Fixed blade thickness is 0.9 mm (1/32")

### 3 Turn on the power.

#### Note

- The use time after a full charge is as follows.  
ER-CBL1: Approximately 70 minutes  
ER-CBN1: Approximately 40 minutes  
(Based on dry using at 20 °C – 30 °C [68 °F – 86 °F])  
The operating time may differ depending on the frequency of use and the operating method.

#### Quick charge (ER-CBL1 only)

Even though the battery runs out, you can use for approximately 5 minutes after approximately 3-minute charge. (This will differ depending on usage.)

## Removing and mounting the head (Fig. 2)

- Make sure that the main body is turned off.

### Remove the head while pushing the head release button (ⓐ).

- Stand the head when it is removed.

### Mount the head to the main body until it clicks.

## Removing and mounting the attachment

### ► Removing

Remove the attachment from the head. (Fig. 3-①)

### ► Mounting

### 1 Mount the attachment of the desired trimming height to the attached part (ⓐ) of the head. (Fig. 3-②)

### 2 Push the head in straight until it clicks.

- After installing, check that it is fixed.

## Trimming hair

- To maintain sharpness, remove hair trimmings between usages.
- Before trimming, comb your hair with a comb.

- When using a comb, be careful not to push the comb on the unused side, as this may cause the comb to come off.

## Adjusting the length around the ears and sides (Fig. 4-①)

Holding the main body with the power switch facing outwards, trim around the ears and sides by lifting the tip of the attachment little by little from the hairline.

- Trim your hair while holding down your ear with one hand.

## How to align the length at the neckline and at the back of your head (Fig. 4-②)

Holding the main body with the power switch facing outwards, trim around the neckline to the back of your head by lifting the tip of the attachment little by little from the hairline.

## Shaping your sideburns (Fig. 4-③)

### ► Without attachment

Holding the main body with the power switch at the bottom, keep the blade at an angle of 90° against the sideburns and move the main body from top to bottom along the skin to trim the sideburns.

## Trimming the downy hair around the neckline (Fig. 4-④)

### ► Without attachment

Holding the main body with the power switch at the bottom, touching the blade perpendicular to the area of downy hair, and move the main body downward along the skin.

## Trimming to an even length (Fig. 4-⑤)

Cut in the opposite direction of the hair flow from the front, sides, and back towards to the top of the head.

#### Notes

- It is recommended to ask someone else to trim around your own ears and neckline.
- The desired results may not be achieved if hair is too long. In this case, trim the hair to a length of about 30 mm (1¼") before using the appliance.

## Maintenance

- Make sure that the main body is turned off.
- Lubricate after cleaning and store the head with one of the attachments attached.

## How to clean

### ► With water (Fig. 5)

1. Remove the head, attachment and blade and rinse them with running water.
2. Shake up and down several times to remove the water.
  - Be careful not to hit the appliance on the sink or any other object while draining the water.
3. Wipe off the water with a dry cloth and dry it well.
  - It will dry faster with the blade removed.

### ► With the cleaning brush (Fig. 6)

1. Remove the head, attachment and blade.
2. Brush off any hair trimmings from the head, attachment and from around the blade.
3. Brush any hair trimmings out from between the stationary blade and the moving blade while pressing down the cleaning lever (ⓐ) to raise the moving blade.

#### Notes

- Do not wipe with thinners, benzene, alcohol etc. Doing so may cause malfunction, or cracking or discoloration of the parts.

## Removing and mounting the blade

To remove the blade, hold the head, place your thumb against the blades and then push them away from the head. (Fig. 7-①)

To mount the blade, fit the mounting hook (ⓐ) into the blade mounting on the head (ⓐ) and then push in until you hear a click. (Fig. 7-②)

## Lubrication

- Apply the lubrication oil to the blade before and after each use.

### 1 Remove the blade.

### 2 Apply a drop of the lubrication oil to each indicated point. (Fig. 8)

### 3 Attach the blade to the head, turn on the power and allow it to run for approximately 5 seconds.

## Troubleshooting

| Problem                         | Action  |
|---------------------------------|---|
| The appliance has become blunt. | Until problems are solved, please follow each procedure as follows; |
| Operating time is short.        | ► 1. Charge the appliance.  |
| Appliance stopped functioning.  | ► 2. Clean the blade and apply lubrication oil.                     |
| Makes a loud sound.             | ► Clean the blade and apply lubrication oil.                        |
|                                 | ► Confirm that the blade is properly attached.                      |

If the problems still cannot be solved, contact your dealer or a service center authorized by Panasonic for repair.

## Personal Care & Beauty Care Products

### FOR USA ONLY

#### 30-Day Quality Satisfaction Guarantee

If you are dissatisfied with any Panasonic Personal Care & Beauty Care Products for any reason, simply return it to the place of purchase with a dated proof of purchase, in the original packaging, with all accessories, parts and instructions, within 30 days of the date of purchase for a full refund. Abuse or misapplication of this product voids the guarantee.

#### PRODUCT REGISTRATION (U.S. customers only)

Go to [www.shop.panasonic.com/](http://www.shop.panasonic.com/) register and register your product now to receive these benefits:

#### Safety Notification

We contact our customers in case of recall

#### Owner Verification

Proof of purchase in case of product theft or loss

#### Efficient Warranty Service

In case there is a problem with your product

#### Special Offers and Promotions from Panasonic

FOR YOUR CONVENIENCE, WE HAVE ESTABLISHED A TOLL-FREE (IN USA ONLY) NATIONAL ACCESSORY PURCHASE HOTLINE AT 1-800-332-5368.

IN USA CONTACT:  
Panasonic Corporation of North America  
Two Riverfront Plaza, Newark, NJ 07102-5490  
Service • Assistance • Accessories  
<https://shop.panasonic.com/personal-care>  
<https://help.na.panasonic.com>  
<https://www.panasonic.com>  
© Panasonic Corporation 2024

Printed in Thailand  
SERCHC135103-1  
A0724-10724

ⓐ EN