

# Panasonic

# LUMIX S9

Owner's Manual  
<Quick Start Guide>  
Digital Camera  
DC-S9

Please read these instructions carefully before using this product, and save this manual for future use.

**Owner's Manual <Complete Guide>**

Refer to "Owner's Manual <Complete Guide>" (HTML format/PDF format) for details about how to use the camera and notes on use.  
<https://panasonic.jp/support/dsc/oi/S9/index.html>

**U.S. customers only**  
Register online at <http://shop.panasonic.com/support/register>  
to receive these benefits:

- Safety Notification
- Owner Verification
- Efficient Warranty Service
- Special Offers and Promotions from Panasonic

If you have any questions, visit:  
USA : <http://shop.panasonic.com/support>

Panasonic Corporation of North America  
Two Riverfront Plaza, Newark, NJ 07102-5490  
<http://shop.panasonic.com>  
© Panasonic Entertainment & Communication Co., Ltd. 2024  
DVQX2516YA  
F0424KN2084

**Dear Customer,**  
**Thank you for choosing Panasonic!**  
You have purchased one of the most sophisticated and reliable products on the market today. Used properly, we're sure it will bring you and your family years of enjoyment. Please take time to fill in the information below. The serial number is on the tag located on the underside of your camera. Be sure to **retain this manual** as your convenient camera information source.

Date of Purchase	Dealer Phone No.
Dealer Purchased From	Model No.
Dealer Address	Serial No.

Please note that the actual controls and components, menu items, etc. of your Digital Camera may look somewhat different from those shown in the illustrations in this Owner's Manual.

## Information for Your Safety

**WARNING:**  
**To reduce the risk of fire, electric shock or product damage,**

- Do not expose this unit to rain, moisture, dripping or splashing.
- Use the recommended accessories.
- Do not remove covers.
- Do not repair this unit by yourself. Refer servicing to qualified service personnel.

**Product identification marking**

Product	Location
Digital camera	Bottom

**THE FOLLOWING APPLIES ONLY IN THE U.S.A.**

**FCC Note:**  
This equipment has been tested and found to comply with the limits for a Class B digital device, pursuant to Part 15 of the FCC Rules. These limits are designed to provide reasonable protection against harmful interference in a residential installation. This equipment generates, uses, and can radiate radio frequency energy and, if not installed and used in accordance with the instructions, may cause harmful interference to radio communications. However, there is no guarantee that interference will not occur in a particular installation. If this equipment does cause harmful interference to radio or television reception, which can be determined by turning the equipment off and on, the user is encouraged to try to correct the interference by one or more of the following measures:

- Reorient or relocate the receiving antenna.
- Increase the separation between the equipment and receiver.
- Connect the equipment into an outlet on a circuit different from that to which the receiver is connected.
- Consult the dealer or an experienced radio/TV technician for help.

**FCC Caution:**

- Any unauthorized changes or modifications to this equipment would void the user's authority to operate this device.
- To assure continued compliance, follow the attached installation instructions and use only shielded interface cables with ferrite core when connecting to computer or peripheral devices.

This device complies with Part 15 of the FCC Rules. Operation is subject to the following two conditions: (1) This device may not cause harmful interference, and (2) this device must accept any interference received, including interference that may cause undesired operation.

Supplier's Declaration of Conformity  
Trade Name: Panasonic  
Model No.: DC-S9  
Responsible Party: Panasonic Corporation of North America  
Two Riverfront Plaza, Newark, NJ 07102-5490  
Support Contact: <http://shop.panasonic.com/support>

**How to Display Certification and Compliance Information**  
Certification and compliance information for this camera can be viewed on the menu screen.

- 1 Select the [Others] tab of the [Setup] menu.
- 2 Select [Approved Regulations] and confirm your selection.

Contains FCC ID: VPYLBEE5Z1PJ

This transmitter must not be co-located or operated in conjunction with any other antenna or transmitter.

This equipment complies with FCC radiation exposure limits set forth for an uncontrolled environment and meets the FCC radio frequency (RF) Exposure Guidelines as this equipment has very low levels of RF energy.

Compliance with FCC requirement 15.407(c)  
Data transmission is always initiated by software, which is the passed down through the MAC, through the digital and analog baseband, and finally to the RF chip. Several special packets are initiated by the MAC. These are the only ways the digital baseband portion will turn on the RF transmitter, which it then turns off at the end of the packet. Therefore, the transmitter will be on only while one of the aforementioned packets is being transmitted. In other words, this device automatically discontinues transmission in case of either absence of information to transmit or operational failure.

Frequency Tolerance: ± 20ppm

**About the battery pack**

**CAUTION**  
Battery pack (Lithium ion battery pack)

- Use the specified unit to recharge the battery pack.
- Do not use the battery pack with equipment other than the specified unit.
- Do not get dirt, sand, liquids, or other foreign matter on the terminals.
- Do not touch the plug terminals (+ and -) with metal objects.
- Do not disassemble, remodel, heat or throw into fire.

If any electrolyte should come into contact with your hands or clothes, wash it off thoroughly with water.  
If any electrolyte should come into contact with your eyes, never rub the eyes. Rinse eyes thoroughly with water, and then consult a doctor.

**CAUTION**

- Danger of explosion if battery is incorrectly replaced. Replace only with the type recommended by the manufacturer.
- When disposing of the batteries, please contact your local authorities or dealer and ask for the correct method of disposal.

- Do not heat or expose to flame.
- Do not leave the battery(ies) in a car exposed to direct sunlight for a long period of time with doors and windows closed.
- Do not expose to low air pressure at high altitudes.
- Do not expose to extremely low air pressure, as this may result in explosions or leakage of flammable liquids and gases.

**Warning**  
Risk of fire, explosion and burns. Do not disassemble, heat above 60 °C (140 °F) or incinerate.

**Concerning the button cell or coin battery**

**WARNING**

- **INGESTION HAZARD:** This product contains a button cell or coin battery.
- **DEATH** or serious injury can occur if ingested.
- A swallowed button cell or coin battery can cause **Internal Chemical Burns** in as little as **2 hours**.
- **KEEP** new and used batteries **OUT OF REACH** of CHILDREN
- **Seek immediate medical attention** if a battery is suspected to be swallowed or inserted inside any part of the body.

- This product contains non-replaceable batteries.
- Even used batteries may cause severe injury or death.
- Call a local poison control center for treatment information.
- Battery type: MS414GE
- Nominal voltage: 3 V
- Do not force discharge, recharge, disassemble, heat above (manufacturer's specified temperature rating) or incinerate. Doing so may result in injury due to venting, leakage or explosion resulting in chemical burns.

- Always use a genuine Panasonic Tripod Grip (DMW-SHGR2: optional).
- Use a Premium High Speed HDMI micro cable (Type D–Type A plug) with the length less than 3 m (9.8 feet).
- Use a stereo microphone cable with the length less than 3 m (9.8 feet).

- Keep the accessory shoe cover out of reach of children to prevent swallowing.
- Keep the memory card out of reach of children to prevent swallowing.

## Standard Accessories

Product numbers correct as of October 2024.

**Digital camera body**

<b>Battery pack</b> DMW-BLK22	<b>Body cap</b> <sup>*1</sup> 1HE1MC891Z
<b>Shoulder strap</b> DVPW1035Z	<b>Accessory shoe cover</b> <sup>*1</sup> DVKV1118Z/K (Black)

**Interchangeable lens "LUMIX S 20-60mm F3.5-5.6"**<sup>\*2</sup>

S-R2060	<b>Lens hood</b> 1ZE4SR2060Z	<b>Lens rear cap</b> <sup>*5</sup> RGE1Z276Z
	<b>Lens cap</b> <sup>*5</sup> CGE1Z293Z	

**Interchangeable lens "LUMIX S 28-200mm F4-7.1 MACRO O.I.S."**<sup>\*3</sup>

S-R28200	<b>Lens hood</b> 1ZE2SE28200Z	<b>Lens rear cap</b> <sup>*5</sup> RGE1Z276Z
	<b>Lens cap</b> <sup>*5</sup> CGE1Z293Z	

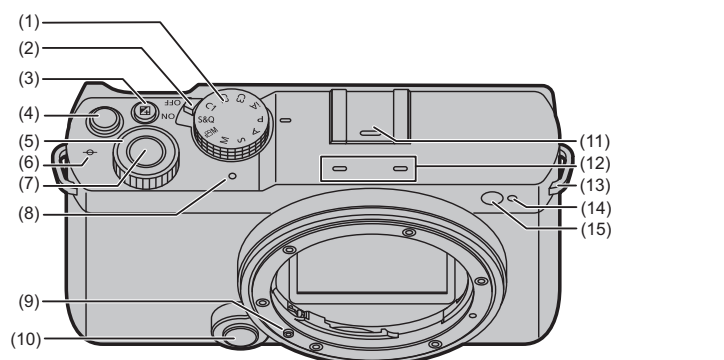
**Interchangeable lens "LUMIX S 18-40mm F4.5-6.3"**<sup>\*4</sup>

S-R1840	<b>Lens cap</b> <sup>*5</sup> 6GE1SR1840Z	<b>Lens rear cap</b> <sup>*5</sup> RGE1Z276Z
---------	--	---

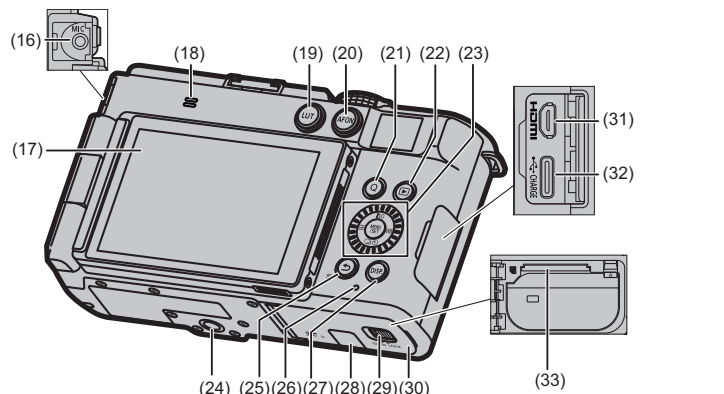
- <sup>\*1</sup> This is attached to the camera at the time of purchase.  
<sup>\*2</sup> This is supplied with Lens Kit DC-S9K.  
<sup>\*3</sup> This is supplied with Lens Kit DC-S9H.  
<sup>\*4</sup> This is supplied with Lens Kit DC-S9N.  
<sup>\*5</sup> This is attached to the lens at the time of purchase.

- If accessories are lost, customers can visit us at <http://shop.panasonic.com/support> for further information about obtaining replacement parts.
- To order optional accessories please visit <http://shop.panasonic.com> or your local Photo Specialty Dealer.

## Names of Important Parts



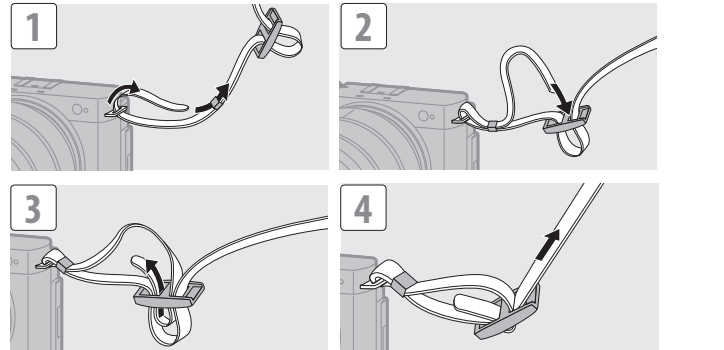
- (1) Mode dial
- (2) Camera on/off switch
- (3) [ ] (Exposure compensation) button
- (4) Video rec. button
- (5) Front dial
- (6) [ ] (Recording distance reference mark)
- (7) Shutter button
- (8) Charging light/Network connection light
- (9) Lens lock pin (Lens fitting mark)
- (10) Lens release button
- (11) Accessory shoe (accessory shoe cover)
- (12) Stereo microphone
- (13) Shoulder strap eyelet
- (14) Self-timer light/AF assist light
- (15) Illumination sensor



- (16) [MIC] socket
- (17) Monitor/Touch screen
- (18) Speaker
- (19) [LUT] button
- (20) [AF ON] button
- (21) [Q] (Quick menu) button
- (22) [ ] (Playback) button
- (23) Control dial ( )  
Cursor buttons  
▲/[ISO] (ISO sensitivity)  
▼/[ ] (Drive mode)  
◀/[ ] (AF mode)  
▶/[WB] (White balance)  
[MENU/SET] button ( )
- (24) Tripod mount
- (25) [ ] (Cancel) button/  
[ ] (Delete) button
- (26) Card access light
- (27) [DISP.] button
- (28) DC coupler cover
- (29) Release lever
- (30) Card/Battery door
- (31) HDMI socket
- (32) USB port
- (33) Card slot

## Attaching a Shoulder Strap

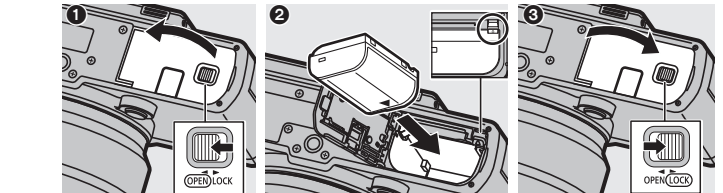
Attach a shoulder strap to the camera with the following procedure to prevent it from dropping.



## Charging the Battery

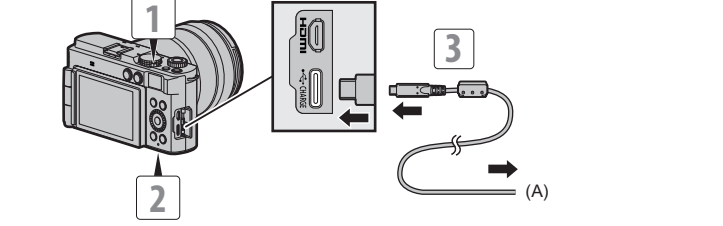
Charge using an AC adaptor (optional/commercially available) and a USB connection cable (commercially available).

- 1 Set the camera on/off switch to [OFF].
- 2 Insert the battery into the camera.



- 3 Connect the camera USB port and the AC adaptor using the USB connection cable.

- 4 Connect the AC adaptor to an electrical outlet.
- The charging light turns red and charging begins. The charging light turns off when charging is complete.



(A) To the AC adaptor

Charging time	Approx. 240 min
---------------	-----------------

- Using either the camera body and the optional AC Adaptor (DMW-AC11) or the camera body and the supplied accessories of the optional Battery Charger (DMW-BTC15).

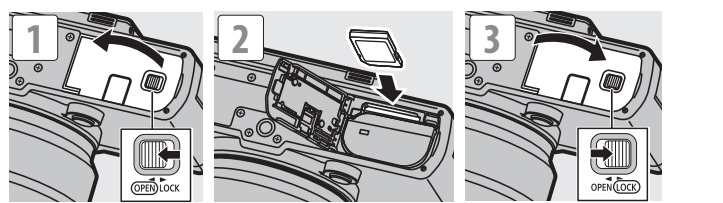
**Cautions**

- The battery that can be used with the camera is DMW-BLK22. (As of May 2024)
- **Always use genuine Panasonic batteries (DMW-BLK22).**
- **If you use other batteries, we cannot guarantee the quality of this product.**
- **It is recommended to use the Panasonic AC Adaptor (DMW-AC11: optional) or the supplied accessories of the Panasonic Battery Charger (DMW-BTC15: optional) for charging.**
- You can charge with the camera body using a commercially available AC adaptor and a USB connection cable.  
\*Recommended specifications for the commercially available AC adaptor
  - Supports 5 V/3 A (15 W) DC output
  - USB Type-C terminal
- \*Use a USB connection cable with 15 W output or better for charging.
- You can also use an AC adaptor with 5 V/500 mA or better for charging. However, charging time may be longer than with the recommended AC adaptor.
- Operation is not guaranteed with all commercially available devices.
- Using charging methods other than those specified may result in fluid leakage, overheating, combustion, rupturing, etc., and these may cause injury.
- This battery may present a risk of fire or chemical burn if mistreated.
- Place the removed battery in a plastic bag, and store or keep away from metallic objects (clips, etc.).
- When disposing of the batteries, please contact your local authorities or dealer and ask for the correct method of disposal.

## Inserting Cards (Optional)

You can use SD memory cards with this camera.

- For information on memory cards with confirmed operation, check the following support site:  
<https://panasonic.jp/support/global/cs/dsc/connect/index.html>  
(English only)



- Match the orientation of the cards as shown in the figure and then insert them firmly until they click.
- To remove a card, confirm that the corresponding card access light has turned off, push the card until it clicks, then pull the card out straight.
- Format the cards with the camera before use.  
[ ] → [ ] → [ ] → Select [Card Format]

