

Technics®



SL-100C

Direct Drive Turntable System

Platine tourne-disque à entraînement direct

Owner's Manual

Manuel d'utilisation

Music is borderless and timeless, touching people's hearts across cultures and generations. Each day the discovery of a truly emotive experience from an unencountered sound awaits. Let us take you on your journey to rediscover music.

Sans frontières, la musique est aussi intemporelle, touchant le coeur des gens en traversant les cultures et les générations.

Tous les jours, nous attendons la révélation d'une expérience émotionnelle authentique à partir d'un son venu de nulle part.

Permettez-nous de vous emmener en voyage pour redécouvrir la musique.

Rediscover Music™

Technics

Delivering the Ultimate Emotive Musical Experience to All

At Technics we understand that the listening experience is not purely about technology but the magical and emotional relationship between people and music.

We want people to experience music as it was originally intended and enable them to feel the emotional impact that enthuses and delights them.

Through delivering this experience we want to support the development and enjoyment of the world's many musical cultures. This is our philosophy.

With a combination of our love of music and the vast high-end audio experience of the Technics team, we stand committed to building a brand that provides the ultimate emotive musical experience by music lovers, for music lovers.

Apportez à tous l'expérience musicale empreinte d'émotions

Chez Technics, nous savons que l'expérience de l'écoute n'est pas purement et simplement une question de technologie, mais de relation magique entre les personnes et la musique.

Nous voulons que tout un chacun puisse ressentir la musique telle qu'elle a été conçue à l'origine et lui permettre de ressentir le choc émotionnel qu'il brûle de connaître.

En apportant ce vécu, nous cherchons à accompagner le développement et le plaisir des nombreuses cultures musicales du monde. Telle est notre philosophie.

Ici et maintenant, alliant l'amour de la musique et la grande expérience musicale de l'équipe Technics, nous sommes pleinement déterminés à construire une marque qui apporte le vécu musical émotionnel aux fervents de la musique.

Director
Directeur
Michiko Ogawa



Introduction

Thank you for purchasing this product. Please read these instructions carefully before using this product, and save this manual for future use.

- About descriptions in these operating instructions
 - Pages to be referred to are indicated as "(⇒ 00)".
 - The illustrations shown may differ from your unit.

If you have any questions, visit:

U.S.A.: <http://shop.panasonic.com/support>

Canada: www.panasonic.ca/english/support

Register online at <http://shop.panasonic.com/support> (U.S. customers only)

Features

Coreless direct drive motor to achieve high precision, stable rotation and high reliability

- Stable rotation is achieved by combining the coreless direct drive motor that reduces minute vibration during rotation with the motor control technology that switches the drive mode depending on the operational status of the motor.
- In addition to providing superior performance, the direct drive motor requires no parts replacement or maintenance.

High-precision bearings for highly sensitive tone arm

- The machine-cut, high-precision bearing used in the tone arm bearing with gimbal suspension allows for high initial response sensitivity and accurate record tracking.

Auto lift-up function to automatically lift up the tone arm

- This unit is equipped with an auto lift-up function to automatically lift up the tone arm as a record finishes playing.

Complete package, including the following, to enjoy playing back records

- High-quality VM type cartridge

Table of contents

● Before use		
IMPORTANT SAFETY INSTRUCTIONS	04	Before use
Accessories	06	
Parts Name	08	
● Getting started		
Putting the player together	10	Getting started
● Before fitting the turntable.....	11	
● Fitting the turntable	11	
● Fitting the turntable mat	11	
● Attaching the head shell.....	11	
● Attaching the balance weight.....	11	
● To remove turntable.....	11	
Connections and installation	12	
● Connecting to an integrated amplifier or component system	12	
● Installation	13	
● Fit the dust cover.....	13	
Adjustment	14	
● Horizontal balance	14	
● Stylus pressure	14	
● Anti-skating.....	15	
● Tone arm height.....	16	
● Armlift height.....	17	
● Playing back		
Playing records.....	18	Playing back
● Maintenance		
Maintenance.....	20	Maintenance
Replacing the cartridge	21	
Troubleshooting guide	22	
Specifications.....	23	
Limited Warranty (ONLY FOR U.S.A.)	24	
Limited Warranty (ONLY FOR CANADA).....	25	

IMPORTANT SAFETY INSTRUCTIONS

Read these operating instructions carefully before using the unit. Follow the safety instructions on the unit and the applicable safety instructions listed below. Keep these operating instructions handy for future reference.

- 1 Read these instructions.
- 2 Keep these instructions.
- 3 Heed all warnings.
- 4 Follow all instructions.
- 5 Do not use this apparatus near water.
- 6 Clean only with dry cloth.
- 7 Do not block any ventilation openings. Install in accordance with the manufacturer's instructions.
- 8 Do not install near any heat sources such as radiators, heat registers, stoves, or other apparatus (including amplifiers) that produce heat.
- 9 Do not defeat the safety purpose of the polarized or grounding-type plug. A polarized plug has two blades with one wider than the other. A grounding type plug has two blades and a third grounding prong. The wide blade or the third prong are provided for your safety. If the provided plug does not fit into your outlet, consult an electrician for replacement of the obsolete outlet.
- 10 Protect the power cord from being walked on or pinched particularly at plugs, convenience receptacles, and the point where they exit from the apparatus.
- 11 Only use attachments/accessories specified by the manufacturer.
- 12 Use only with the cart, stand, tripod, bracket, or table specified by the manufacturer, or sold with the apparatus. When a cart is used, use caution when moving the cart/apparatus combination to avoid injury from tip-over.
- 13 Unplug this apparatus during lightning storms or when unused for long periods of time.
- 14 Refer all servicing to qualified service personnel. Servicing is required when the apparatus has been damaged in any way, such as power-supply cord or plug is damaged, liquid has been spilled or objects have fallen into the apparatus, the apparatus has been exposed to rain or moisture, does not operate normally, or has been dropped.



AC power supply cord

- The power plug is the disconnecting device. Install this unit so that the power plug can be unplugged from the socket outlet immediately.
- Ensure the earth pin on the power plug is securely connected to prevent electrical shock.
 - An apparatus with CLASS I construction shall be connected to a power socket outlet with a protective earthing connection.

Caution

Unit

- Do not place sources of naked flames, such as lighted candles, on this unit.

Placement

- To reduce the risk of fire, electric shock or product damage,
 - Do not install or place this unit in a bookcase, built-in cabinet or in another confined space. Ensure this unit is well ventilated.
 - Do not obstruct this unit's ventilation openings with newspapers, tablecloths, curtains, and similar items.
- Keep your speakers at least 10 mm ($13/32$ ") away from the system for proper ventilation.
- Keep any IC card or magnetic card such as a credit card away from the turntable.
 - Otherwise the IC card or magnetic card may become unusable due to magnetic effect.



Warning

Unit

- To reduce the risk of fire, electric shock or product damage,
 - Do not expose this unit to rain, moisture, dripping or splashing.
 - Do not place objects filled with liquids, such as vases, on this unit.
 - Use only the recommended accessories.
 - Do not remove covers.
 - Do not repair this unit by yourself. Refer servicing to qualified service personnel.

The following mark and symbols are located on bottom of the unit.

	CAUTION RISK OF ELECTRIC SHOCK DO NOT OPEN	
<p>CAUTION : TO REDUCE THE RISK OF ELECTRIC SHOCK, DO NOT REMOVE SCREWS. NO USER-SERVICEABLE PARTS INSIDE. REFER SERVICING TO QUALIFIED SERVICE PERSONNEL.</p>		

-  The lightning flash with arrowhead symbol, within an equilateral triangle, is intended to alert the user to the presence of uninsulated "dangerous voltage" within the product's enclosure that may be of sufficient magnitude to constitute a risk of electric shock to persons.
-  The exclamation point within an equilateral triangle is intended to alert the user to the presence of important operating and maintenance (servicing) instructions in the literature accompanying the appliance.

Conforms to UL STD 62368-1.
Certified to CAN/CSA STD C22.2 No.62368-1.

THE FOLLOWING APPLIES ONLY IN THE U.S.A.
FCC Note:

This equipment has been tested and found to comply with the limits for a Class B digital device, pursuant to Part 15 of the FCC Rules.

These limits are designed to provide reasonable protection against harmful interference in a residential installation. This equipment generates, uses and can radiate radio frequency energy and, if not installed and used in accordance with the instructions, may cause harmful interference to radio communications.

However, there is no guarantee that interference will not occur in a particular installation. If this equipment does cause harmful interference to radio or television reception, which can be determined by turning the equipment off and on, the user is encouraged to try to correct the interference by one or more of the following measures:


- Reorient or relocate the receiving antenna.
- Increase the separation between the equipment and receiver.
- Connect the equipment into an outlet on a circuit different from that to which the receiver is connected.
- Consult the dealer or an experienced radio/TV technician for help.

FCC Caution:
To assure continued compliance, follow the attached installation instructions and use only shielded interface cables when connecting to peripheral devices. Any changes or modifications not expressly approved by the party responsible for compliance could void the user's authority to operate this equipment.

This device complies with Part 15 of the FCC Rules. Operation is subject to the following two conditions:
(1) This device may not cause harmful interference, and
(2) this device must accept any interference received, including interference that may cause undesired operation.

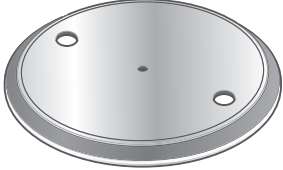
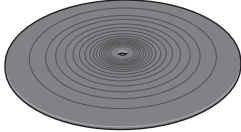
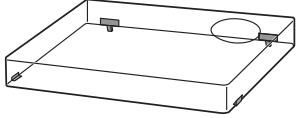
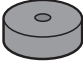
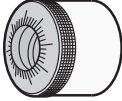
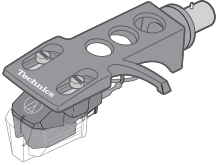
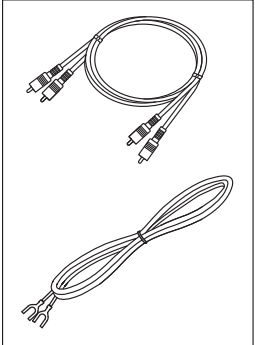
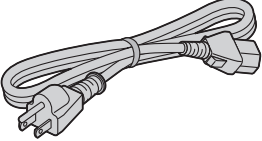
Supplier's Declaration of Conformity
Trade Name: Technics
Model No.: SL-100C
Responsible Party:
Panasonic Corporation of North America
Two Riverfront Plaza, Newark, NJ 07102-5490
Support Contact: <http://shop.panasonic.com/support>

THE FOLLOWING APPLIES ONLY IN CANADA.
CAN ICES-3(B)/NMB-3(B)

	<p>Information on Disposal in other Countries outside the European Union</p> <p>This symbol is only valid in the European Union.</p> <p>If you wish to discard this product, please contact your local authorities or dealer and ask for the correct method of disposal.</p>
---	---

Accessories

In order to prevent damage during shipping some of the equipment has been disassembled. Please check and identify the supplied accessories. (Some accessories parts are supplied in a bag.)

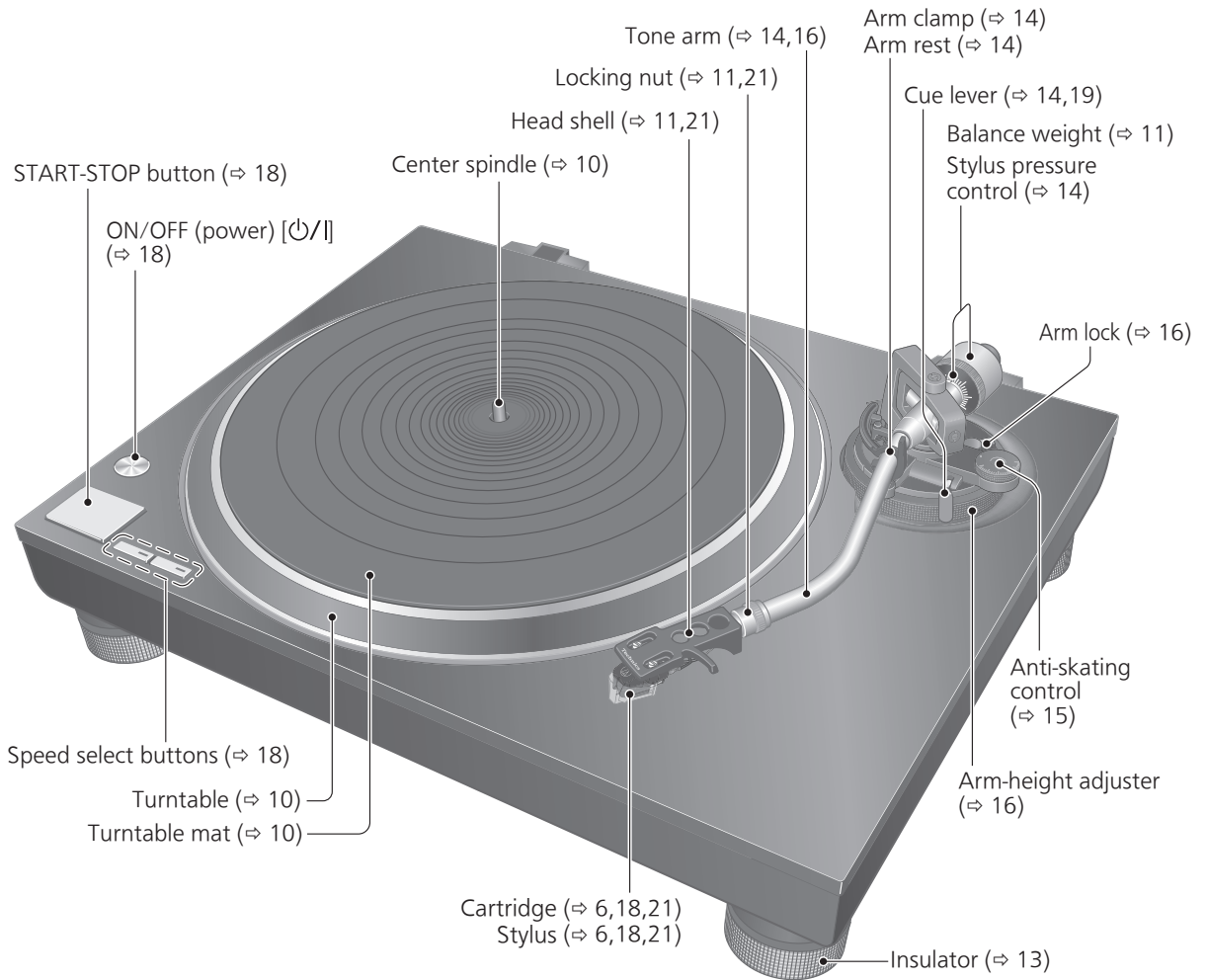
<p>Turntable (1 pc.) (TYL0422)</p> 	<p>Turntable mat (1 pc.) (TEFX5019)</p> 	<p>Dust cover (1 pc.) (TTFA0457)</p> 
<p>EP record adaptor (1 pc.) (TPH0339)</p> 	<p>Balance weight (1 pc.) (TYL0361)</p> 	<p>Head shell with cartridge (1 pc.) (TYL0576)</p>  <p>The head shell comes with a cartridge equivalent to "Audio-Technica AT-VM95C".</p>
<p>PHONO cable (1pc.) PHONO earth lead (1pc.) (TAQ0036)</p> 	<p>AC power supply cord (1 pc.) (K2CG3YY00219)</p> 	

- The model numbers of the accessories are as of April 2022.
They are subject to change without notice.
- Keep the packaging materials after taking out the goods.
You will need them when carrying the product over long distances.
- Follow the local regulations when disposing of the product.
- Do not use any other AC power supply cord, PHONO cable and PHONO earth lead except the supplied one.
- Keep the cartridge, EP record adaptor out of reach of children to prevent swallowing.
- The stylus is a consumable item. When replacing, purchase Audio-Technica "AT-VMN95C".

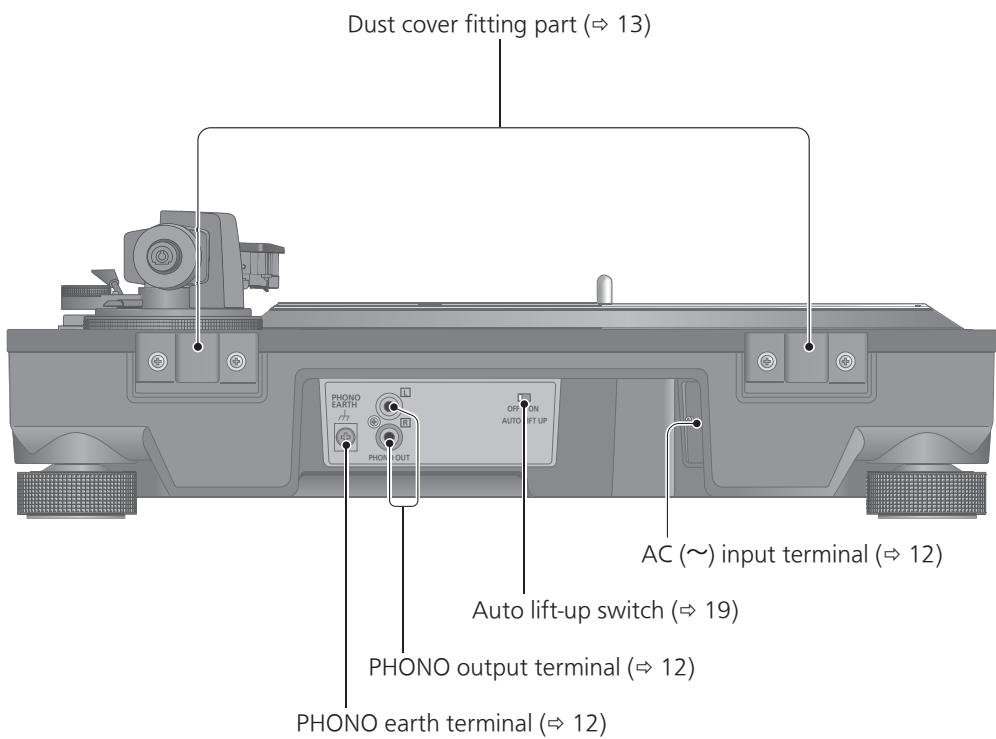
Parts Name

Numbers such as (⇒ 00) indicate reference pages.

Front



Back

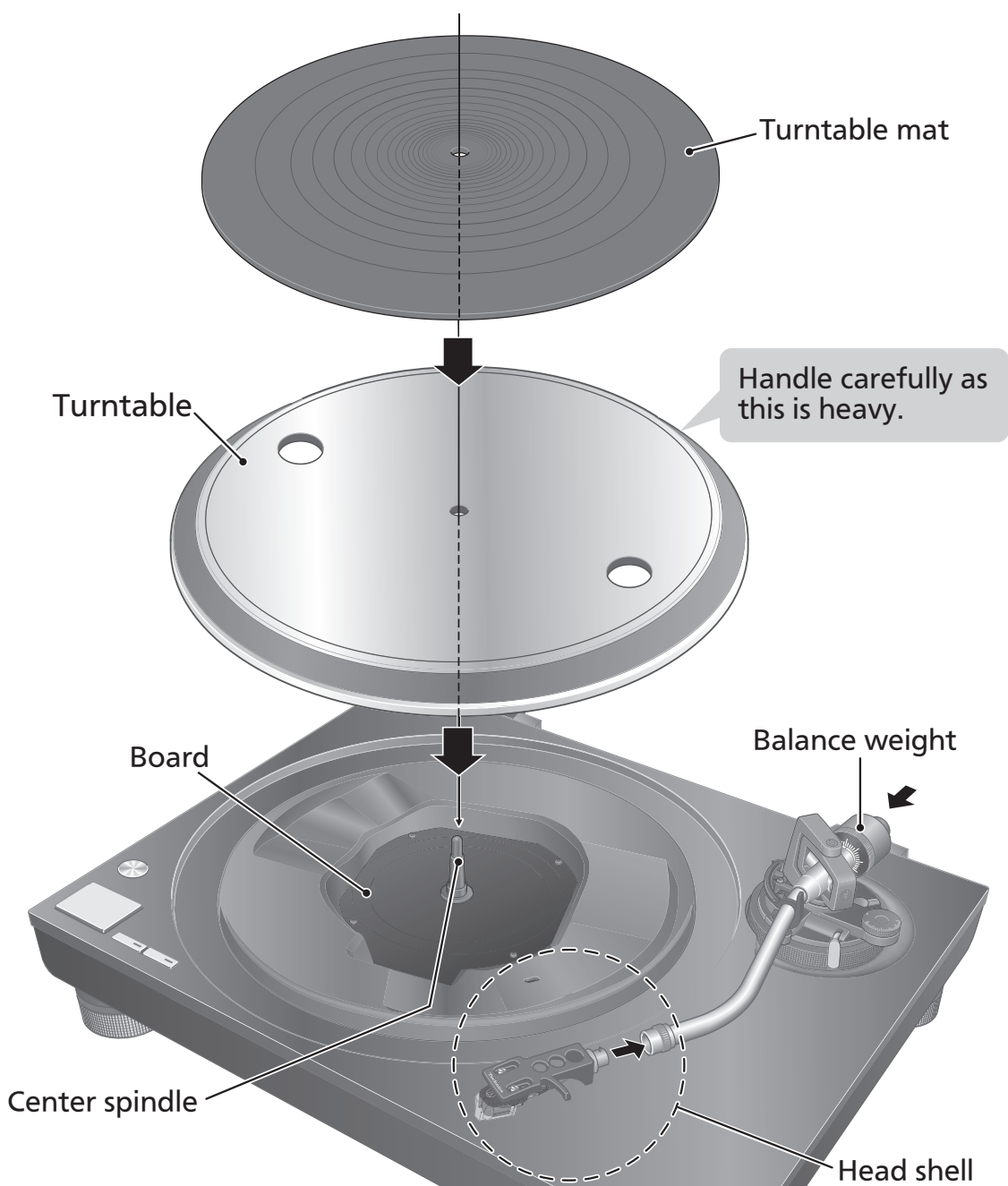


Putting the player together

In order to prevent damage during shipping, some of the equipment has been disassembled. Put the player together in the following order.

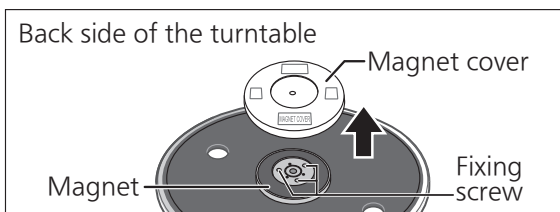
Attention

- Before setting up, put on the stylus guard to protect the stylus tip (⇒ 18), return the tone arm to the arm rest and fix it with the arm clamp.
- Do not connect the AC power supply cord until set up is complete.
- When fitting the turntable, prevent foreign material from getting in between the main unit and turntable.
- Do not touch or scratch the board.



Before fitting the turntable

- 1 Remove the magnet cover from the turntable.
 - There is a magnet and its cover on the back side of the turntable. Remove the magnet cover before fitting to the main unit.



Attention

- Keep any magnetic-sensitive object such as a magnetic card and watch away from the magnet.
- Prevent the turntable from hitting the main unit or falling off. Prevent dust or iron powder from adhering to the magnet on the back side.
- Do not touch the fixing screws (three locations) of the turntable. The rating performance cannot be guaranteed if they are out of position.

Fitting the turntable

- 2 Slowly set the turntable on the center spindle.

Attention

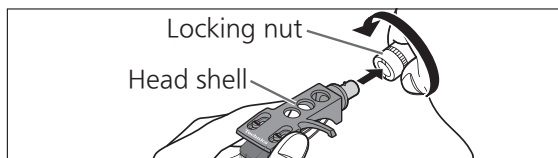
- Be careful when handling the turntable, as it is heavy.
- Keep your fingers from being caught.
- Wipe off fingerprints or dirt with a soft cloth.

Fitting the turntable mat

- 3 Lay the turntable mat on the turntable.

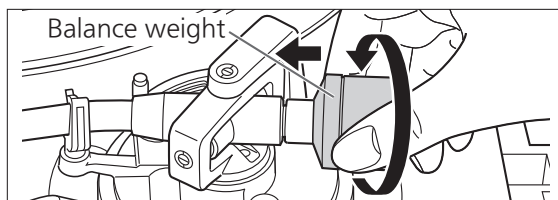
Attaching the head shell

- 4 Fit the head shell with the cartridge into the tone arm. Keep the head shell horizontal and tighten the locking nut.
 - Be careful not to touch the stylus tip.



Attaching the balance weight

- 5 Attach the balance weight to the rear of the tone arm.

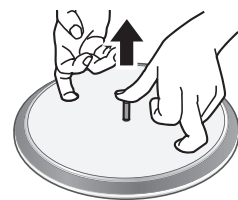


Note

- The inside of the balance weight is greased.

To remove the turntable

As shown in the figure on the right, set your fingers in the two holes on the turntable, hold the center spindle down and remove the turntable upward.

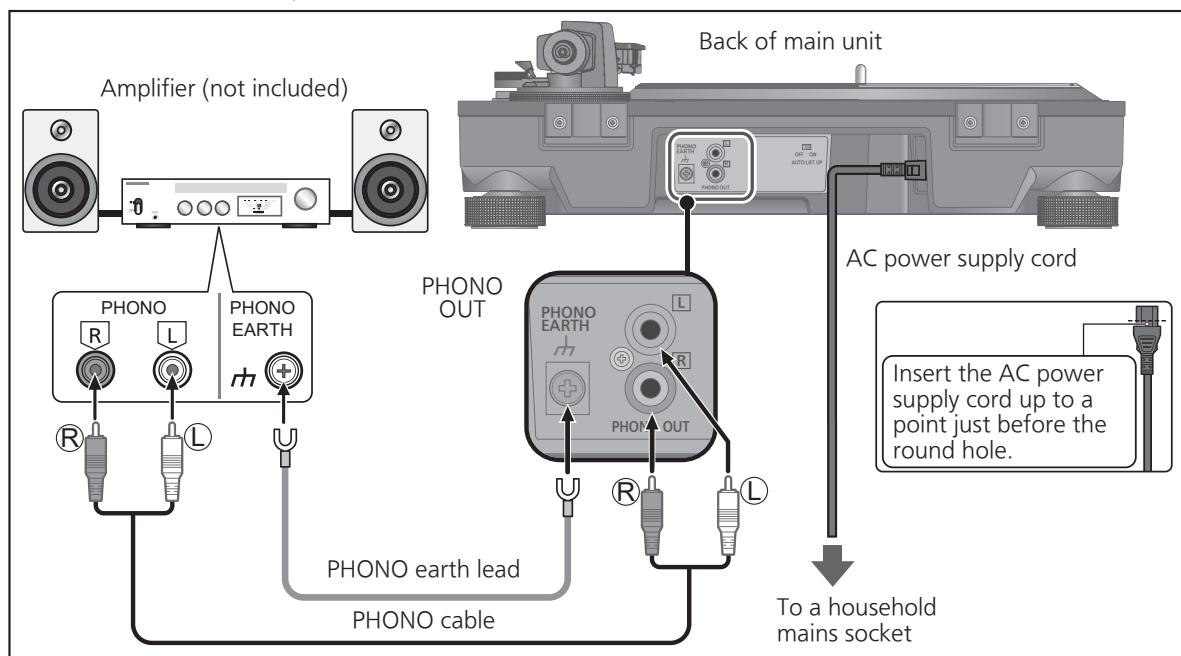


Connections and installation

- Turn off all units and disconnect the AC power supply cord from the socket before making any connections.
- Connect the AC power supply cord only after all other connections are completed.
- Be sure to connect the PHONO earth lead. Otherwise mains hum may occur.
- Refer also to the instruction manual of the connected device.

Connecting to an integrated amplifier or component system

- 1** Turn off the unit and the connected device, and disconnect the AC power supply cord from the socket.
- 2** Connect the PHONO cable and PHONO earth lead to the PHONO input terminals of the connected equipment.
 - You will not have adequate volume or sound quality if the connected amplifier has no PHONO input terminals.
- 3** Connect the AC power supply cord.
 - Confirm the wattage of the AC outlet on the connected equipment before using it for this unit.
For the power consumption of this unit, see the specifications. (⇒ 23)



Attention

- Tighten the PHONO earth terminal using a Phillips head screwdriver.

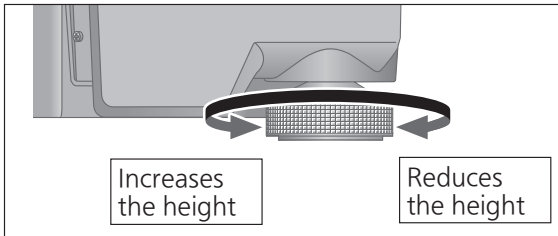
Note

- Standby/on switch [⏻/⏻] (OFF/ON)
Press to switch the unit from on to standby mode or vice versa.
In standby mode, the unit is still consuming a small amount of power.
Remove the plug from the mains socket if you will not be using the unit for an extended period of time. Place the unit so that the plug can be easily removed.

Installation

Install the unit on a horizontal surface protected from vibrations.
Keep this unit as far as possible from speakers.

■ Adjusting the height to make the unit horizontal



Raise the main unit to turn the insulators and adjust the height.

- **Clockwise:** Reduces the height.
- **Anti-clockwise:** Increases the height.

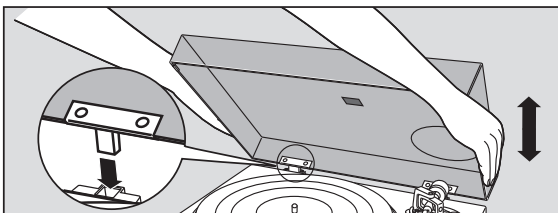
Attention

- Do not turn the insulators too far. Doing so may cause them to come off or damage them.

Fit the dust cover

1 Hold the dust cover with both hands and insert it into the dust cover fitting parts (⇒ 09) on the player.

- To remove the dust cover, keep it open and lift it straight above.



Attention

- Return the tone arm to the arm rest and fix it with the arm clamp before you attach or detach the dust cover.
- Remove the dust cover while playing.
- When inserting the dust cover, prevent the tip of the hinges from hitting and damaging the main unit.

■ Notes for installation

- Before you move the unit, turn the unit off, pull out the power plug and disconnect all connected devices.
- Ensure the unit is not exposed to direct sunlight, dust, humidity, and heat from a heating appliance.
- This unit may pick up interference from a radio if there is one nearby.
Keep the unit as far as possible from a radio.
- Do not install the unit on a heat source.
- Avoid a place with large temperature variations.
- Avoid a place with frequent condensation.
- Avoid an unstable place.
- Do not put an object on the unit.
- Do not install the unit in a confined space such as a book shelf.
- Install the unit at a position well away from walls or other devices to ensure effective heat radiation from the inside of the unit.
- Make sure the installation location is sufficiently strong to withstand the total weight of the unit and system. (⇒ 23)
- Note that the unit may be damaged by cigarette smoke or moisture from an ultrasonic humidifier.

■ Condensation

Think of taking out a cold bottle from a refrigerator. If you leave it in a room for a while, dewdrops will form on the bottle surface. This phenomenon is called "condensation".

- Conditions causing condensation
 - ◇ Rapid temperature change (caused by moving from a warm place to a cold place or vice versa, rapid cooling or heating, or direct exposure to cooled air)
 - ◇ High humidity in a room with much steam, etc.
 - ◇ Rainy season
- Condensation may damage the unit. If it has occurred, turn the unit off and leave it until it adapts to the ambient temperature (approximately 2 to 3 hours).

Adjustment

Horizontal balance

Preparation

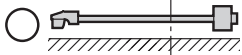
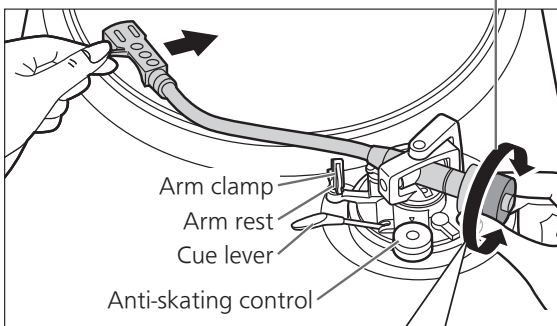
- First, remove the dust cover.
- Remove the stylus cover (⇒ 18), taking care not to damage the stylus, then release the arm clamp.
- Lower the cue lever.
- Turn the anti-skating control to "0".

1 Free the tone arm from the arm rest and adjust horizontal balance by turning the balance weight.

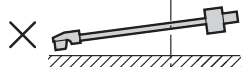
Hold the tone arm and turn the balance weight in the arrow direction to adjust the balance until the arm is approximately horizontal.

- Take care not to allow the stylus tip to touch the turntable or main unit.

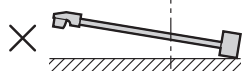
Balance weight



Balanced and the tone arm is parallel to the turntable.



The balance weight is too far forward.



The balance weight is too far back.

Stylus pressure

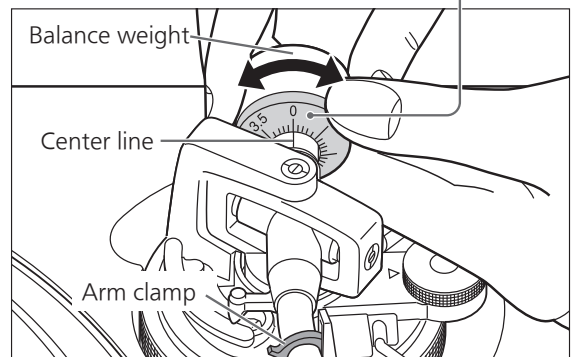
Preparation

- Return the tone arm to the arm rest and fix it with the arm clamp.

1 Turn the stylus pressure control until "0" comes to the center line of the rear of the tone arm.

- Hold the balance weight still while doing this.

Stylus pressure control



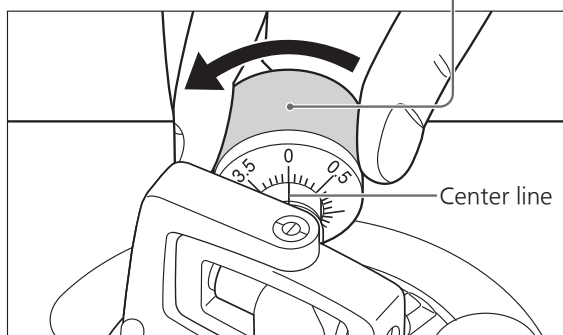
Note

- Stylus pressure of the supplied cartridge: 1.8 to 2.2 g (2.0 g standard)
- When using a separately sold cartridge, refer to the user's guide for your cartridge for the appropriate stylus pressure.

2 Turn the balance weight to adjust to the appropriate stylus pressure for the cartridge.

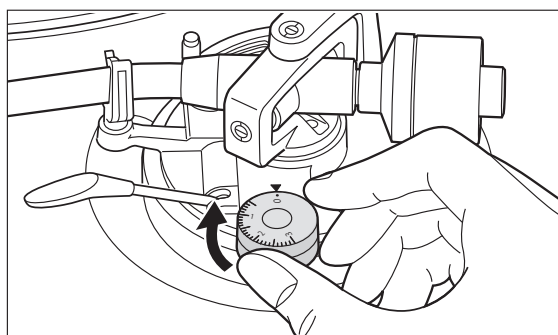
- The stylus pressure control will turn together with the balance weight.
- Turn until the center line points to the appropriate stylus pressure.

Balance weight
Hold here
to turn
Turns
together



Anti-skating

1 Turn the anti-skating control to adjust it to the same value as the stylus pressure control.



Note

- For stylus pressures 3 g and above, adjust anti-skating control to "3".

Adjustment (continued)

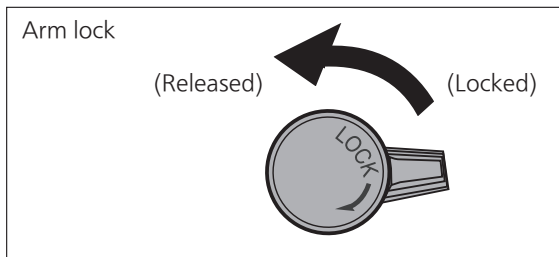
Tone arm height

Make this adjustment only if the cartridge you are using makes it necessary.

Preparation

- Put a record on the turntable.

1 Release the arm lock.

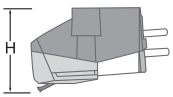


2 Adjust the height with the arm-height adjuster.

Adjust the arm height until the tone arm becomes parallel to the record.

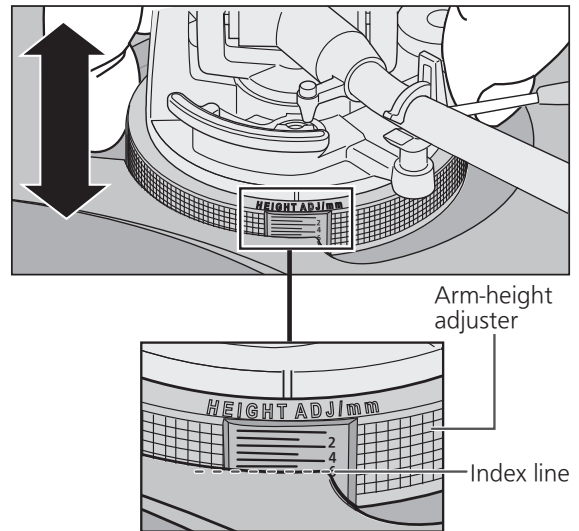
- ① Use the chart below as reference to find the appropriate position mark for the height of your cartridge.

(For supplied head shell)

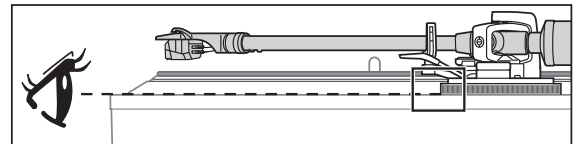
	Cartridge height (H) in millimeters	Height control position
	14	0
15	1	
16	2	
17	3	
18	4	
19	5	
20	6	

- Height of the accessory cartridge H = 17.2 (mm)
(Height control position : 3.2)

- ② Hold the arm-height adjuster and slide it up or down to align the position mark with the index line. 0 to 6 mm (0 to $\frac{15}{64}$ ") are marked on the arm height adjuster.



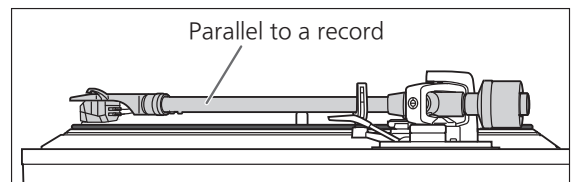
- When checking the index line of the Arm-height adjuster, check with your eyes on the same level.



■ When you don't know the cartridge height (H) or when you don't use the accessory head shell

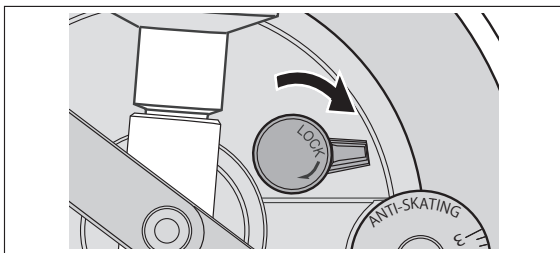
Remove the stylus cover, taking care not to damage the stylus, then release the arm clamp. Lower the cue lever, rest the stylus on the record and adjust the height control until the tone arm and record are parallel.

- If the cartridge height (H) is too small to make them parallel to each other, add a "cartridge spacer" (not supplied).



3 After arm height adjustment is finished, lock the tone arm by turning the arm lock knob.

- Be sure to turn the arm lock knob to the end as shown in the figure below. You may need to apply some force to do so.



Attention

- Be careful not to damage the stylus tip.
- Do not use the product with the arm lock released.
- For finer adjustment, use a level (not included) to adjust the arm height so that the cartridge becomes parallel to a record.

Armlift height

Make an adjustment according to your cartridge if necessary.

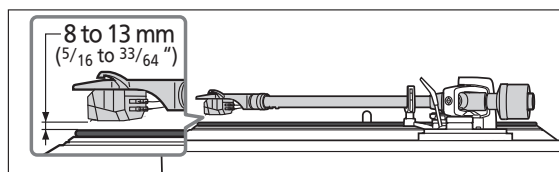
Preparation

- Put a record on the turntable.
- Remove the stylus cover (⇒ 18), taking care not to damage the stylus, then release the arm clamp.
- Lift the cue lever and move the tone arm over the record.

1 Check the armlift height (distance between the stylus tip and record surface).

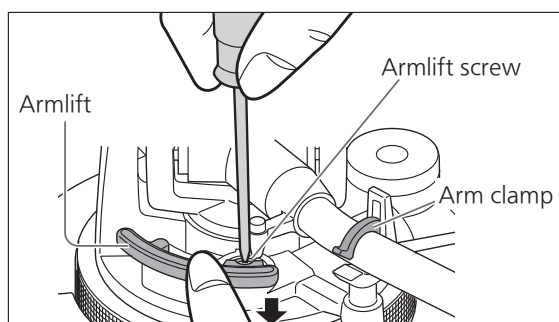
If adjustment is needed, go to step 2.

- The armlift height is factory-adjusted to 8 to 13 mm ($\frac{5}{16}$ to $\frac{33}{64}$ ”).



2 Return the tone arm to the arm rest, clamp it with the arm clamp and while pressing the armlift down with your finger, turn the screw to adjust the height.

- Turning the screw clockwise lowers the armlift.
- Turning the screw anti-clockwise raises the armlift.



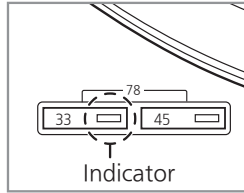
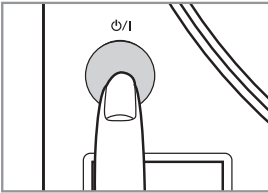
Playing records

Preparation

- *1 Put a record (not included) on the turntable.
- *2 Take off the stylus cover and release the arm clamp.

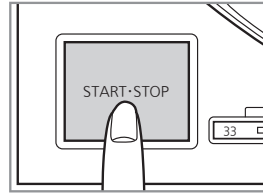
1 Press [⏻/⏮] to turn the unit on.

33-1/3 rpm is automatically selected and the indicator [33] lights.



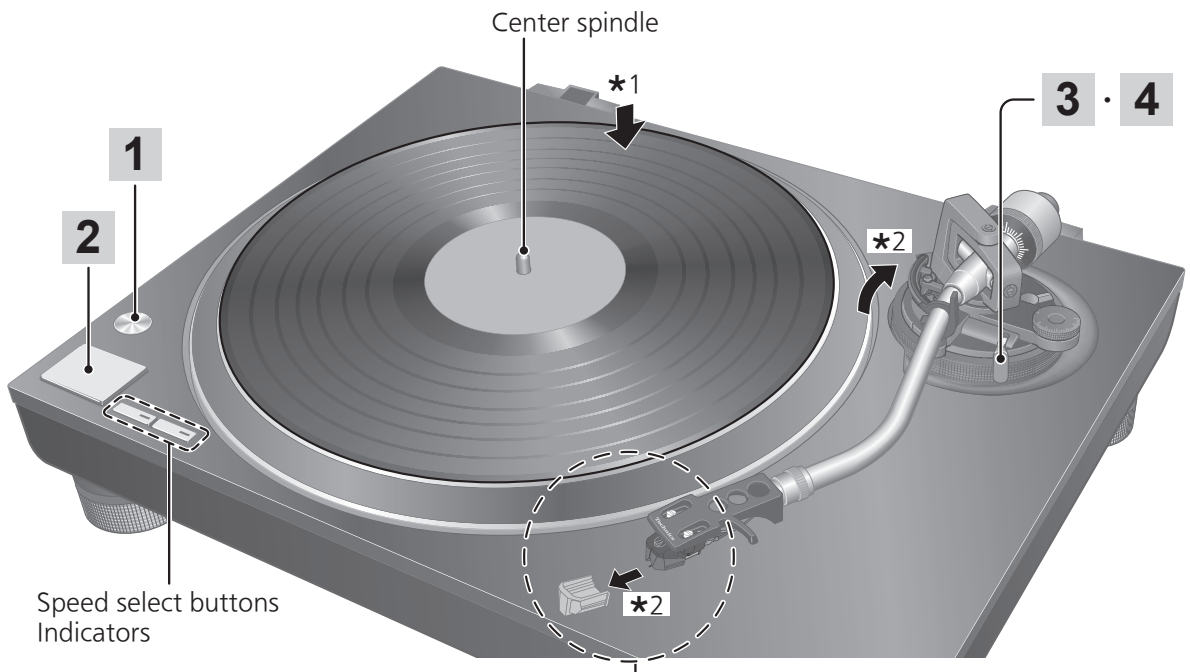
2 Press [START-STOP].

The turntable starts revolving.



Attention

- Do not press [START-STOP] when the turntable is removed.
If you have accidentally pressed [START-STOP]
 - The indicator of the speed select button ([33] or [45]) starts blinking.
⇒ If it is blinking, press [⏻/⏮] to turn the unit off, fit the turntable and then press [⏻/⏮] to turn the unit on.
- Turn the unit on or off with the volume on the connected device set to the minimum.



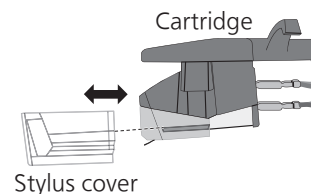
Speed select buttons
Indicators

■ Removing the stylus cover

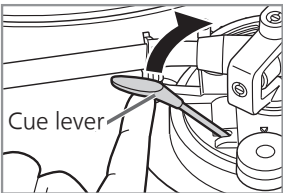
Remove the stylus cover by sliding it straight and slowly in the cartridge front direction while taking care not to damage the stylus.

■ Attaching the stylus cover

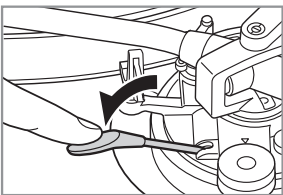
Hold the stylus cover firmly from both sides, align with the front of the cartridge, and attach by sliding it slowly while taking care not to damage the stylus.



3 Lift the cue lever and move the tone arm over the record.



4 Lower the cue lever slowly. The tone arm moves down slowly.



Play starts.

■ To temporarily stop play

Lift the cue lever.

- The stylus lifts off the record.
- To start play again, lower the cue lever.

■ When play finishes

- ① After lifting the cue lever to return the tone arm to the arm rest, lower it completely.
- ② Press [START-STOP].
The electronic brake gently stops the turntable.
- ③ Press [\square]/[I] to turn the unit off.
- ④ Clamp the tone arm with the arm clamp.
- ⑤ Put the stylus cover back on (to protect the stylus tip).

■ Auto lift-up function

This function automatically lifts up the tone arm after a record finishes playing. It prevents the last groove from playing back repeatedly. (It does not stop the turntable rotation.)

This function requires the following setting to become active.

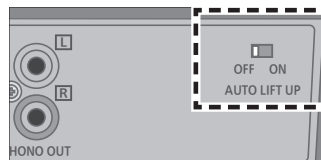
Setting: With the unit turned off, set the auto lift-up switch on the rear side to "ON".

(The factory setting is "ON".)

- After an auto lift-up, be sure to perform the steps ① to ⑤ described above in "When play finishes".

Attention

- Depending on the record, it may take some time (approximately 60 seconds) after the play finishes for the auto lift-up to operate, or it may operate while the record is still playing. If the tone arm is lifted during play, set the auto lift-up switch to "OFF".
- The auto lift-up function may not operate normally. For the auto lift-up function to operate normally, the cue lever must be completely lowered after the tone arm is returned to the arm rest following the end of play.



Auto lift-up switch

■ When playing EP records

- Press the speed select button [45] ([45] lights).
- Fit the EP record adaptor over the center spindle.

■ When playing SP (78 rpm) records

- Press the speed select buttons [33] and [45] at the same time (78 rpm: [33] and [45] light).

■ When using a record stabilizer (not included)

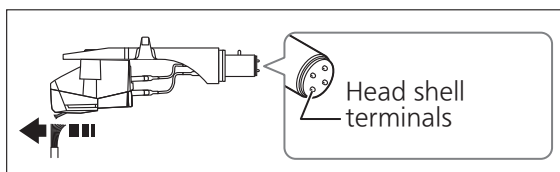
- See the instruction manual of the record stabilizer.
- Maximum weight: 1 kg

Maintenance

■ Care of the parts

Thoroughly clean dust off the stylus and record.

- Take off the head shell with the cartridge and clean the stylus using a soft brush. Brush from the base to the tip.
- Use a record cleaner to keep your records clean.



Wipe the head shell terminals occasionally.
Wipe the head shell terminals with a soft cloth and fit the head shell to the tone arm.

Turn the amplifier volume down or turn the amplifier off before fitting or removing the head shell.

Damage to your speakers can occur if the head shell is moved while the volume is turned up.

■ Cleaning the dust cover and cabinet

Wipe the dust cover and cabinet with a soft cloth.

Do not touch the board while cleaning. Otherwise, the player may fail.

When dirt is heavy, wring a wet cloth tightly to wipe the dirt, and then wipe it with a soft cloth.

- Do not use solvents including benzene, thinner, alcohol, kitchen detergent, a chemical wiper, etc. This might cause the exterior case to be deformed or the coating to come off.
- Do not wipe the dust cover when it is in place. Doing so may cause the tone arm to be attracted towards the dust cover as a result of the generated static electricity. Be sure the dust cover is removed while playing a record.

■ Moving the unit

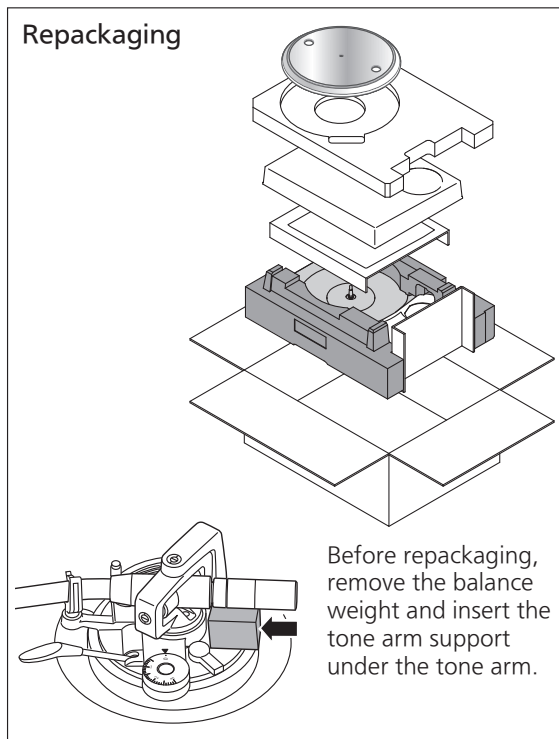
Repackage the unit in the packaging it came in.

Keep the packaging materials after taking out the goods.

If you no longer have the packaging, do the following:

- Take off the turntable and turntable mat and carefully wrap them.
- Remove the head shell and balance weight from the tone arm and carefully wrap them.
- Clamp the tone arm with the arm clamp and tape it in place.
- Carefully wrap the main unit in a blanket or paper.

Repackaging



■ WEEE symbol

Disposal of the product outside the EU countries



This symbol is valid within the EU only.

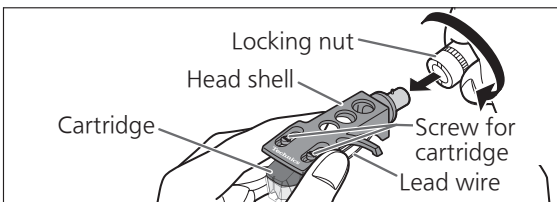
Contact a local governmental office or your dealer to confirm a right manner of disposal.

Replacing the cartridge

The cartridge can be replaced with one of your preference.

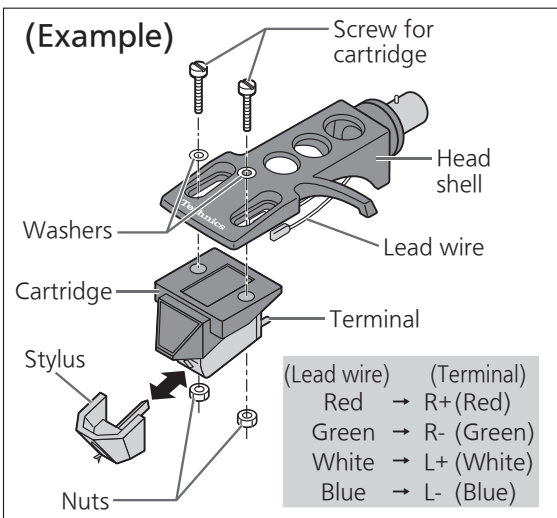
Removing the supplied cartridge

- 1 Attach the stylus cover (⇒ 18) and loosen the locking nut to remove the tone arm from the head shell.
- 2 Loosen the cartridge mounting screws to remove the supplied cartridge from the head shell.
 - Use a commercially available mini flat screwdriver (4 mm [$\frac{5}{32}$ "]).
 - Be careful not to touch the stylus tip.
- 3 Remove the leads from the terminals.
 - Be careful not to cut the leads.



Attaching the cartridge

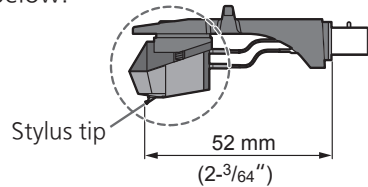
- 1 Attach a cartridge tentatively. Follow the instructions of the replacement cartridge to correctly attach it to the head shell, and tighten the screws lightly.
 - If the mounting screws are included in the cartridge, use them.
 - When playing SP records, use a cartridge for SP records.
 - Use a commercially available mini flat screwdriver (4 mm [$\frac{5}{32}$ "]).
 - Be careful not to touch the stylus tip.



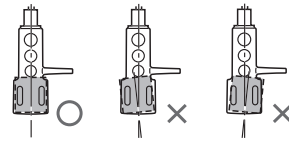
2 Adjust the overhang.

- Be careful not to touch the stylus tip.

- 1 Move the cartridge to adjust the overhang in such a way that the stylus tip is at 52 mm ($2\frac{3}{64}$ ") from the head shell mounting end, as shown in the figure below.

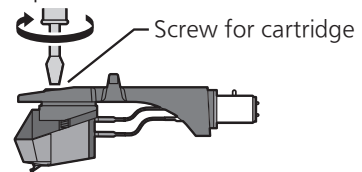


- 2 The cartridge should be parallel on the shell head when viewed from the top and side (the illustration is the top view).



- 3 Tighten the screw for cartridge.

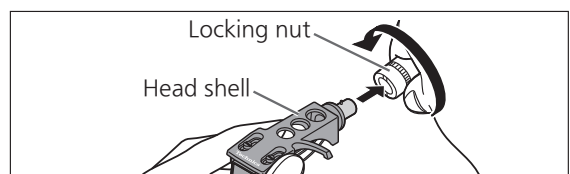
- Be careful not to allow the cartridge to slip out of place.



Attaching the head shell

- 3 Fit the head shell with the cartridge into the tone arm. Keep the head shell horizontal and tighten the locking nut.

- Be careful not to touch the stylus tip.



Attention

- Store the removed screws, washers and nuts in such a way that they do not get lost.

Troubleshooting guide

Before requesting service, make the below checks. If you are in doubt about some of the check points, or if the remedies indicated in the chart do not solve the problem, contact your dealer.

No power.

- Is the AC power supply cord plugged in?
→ Plug the AC power supply cord in firmly. (⇒ 12)

There is power but no sound. Sound is weak.

- Are connections to the amplifier/receiver's PHONO terminals correct?
→ Connect the PHONO cables to the amplifier's PHONO input terminals. (⇒ 12)

Left and right sounds are reversed.

- Are the stereo connection cable connections to the amplifier or receiver reversed?
→ Double check all connections. (⇒ 12)
- Are connections of the head shell's lead wires to the cartridge terminals correct?
→ Double check all connections. (⇒ 21)

Humming is heard during play.

- Are there other appliances or their AC power supply cord near the stereo connection cable?
→ Separate the appliances and their AC power supply cord from this unit.
- Is the earth lead connected?
→ Make sure the earth lead is correctly connected. (⇒ 12)

The indicator on the speed select button [33] or [45] blinks.

Perform the following operations when the indicator on the speed select button [33] or [45] blinks. The symptom may be improved.

- ① Press [⏻/|] to OFF.
 - ② Pull out the power plug, wait for three seconds or more, and then insert the plug again.
 - ③ Press [⏻/|] to turn the unit on and press [START-STOP] to rotate the turntable.
- If the indicator on the speed select button blinks again, check which one is blinking and contact our service representative.

Specifications

General	
Power supply	AC 120 V, 60 Hz
Power consumption	8.0 W (Power ON) Approx. 0.2 W (Power OFF)
Dimensions (W×H×D)	453 x 169 x 372 mm (17.27/32" × 6.21/32" × 14.21/32")
Mass	Approx. 9.9 kg (21.9 lbs)
Operating temperature range	0 °C to +40 °C
Operating humidity range	35 % to 80 % RH (no condensation)
Turntable section	
Drive method	Direct drive manual turntable
Motor	Brushless DC motor
Turntable platter	Aluminum diecast Diameter: 332 mm (13.5/64" inch) Weight: About 2.0 kg (4.5 lbs) (including rubber sheet)
Turntable speeds	33-1/3 rpm, 45 rpm, 78 rpm
Starting torque	1.8 kg•cm (1.56 lbs-in)
Build-up characteristics	0.7 s. from standstill to 33-1/3 rpm
Braking system	Electronic brake
Wow and flutter	0.025 % W.R.M.S.

Tone arm section	
Type	Static Balance
Effective length	230 mm (9-1/16")
Overhang	15 mm (19/32")
Tracking error angle	Within 2° 32' (at the outer groove of 30 cm (12") record) Within 0° 32' (at the inner groove of 30 cm (12") record)
Offset angle	22°
Arm-height adjustment range	0 – 6 mm (0 - 15/64")
Stylus pressure adjustment range	0 – 4 g (direct reading)
Head shell weight	Approx. 7.6 g
Applicable cartridge weight range	5.6 – 12.0 g 14.3 – 20.7 g (including the head shell)
Shell terminal	ø1.2 mm 4 pin terminal
Cartridge section	
Type	VM type
Output voltage	4.0 mV (1 kHz, 5 cm/sec.)
Mass	6.1 g
Stylus pressure	1.8 to 2.2 g (2.0 g standard)

Specifications are subject to change without notice.

Limited Warranty (ONLY FOR U.S.A.)

Technics Products – Limited Warranty

Limited Warranty Coverage (For USA Only)

If your product does not work properly because of a defect in materials or workmanship, Panasonic Corporation of North America (referred to as "the warrantor") will, for the length of the period indicated on the chart below, which starts with the date of original purchase ("warranty period"), at its option either (a) repair your product with new or refurbished parts, (b) replace it with a new or a refurbished equivalent value product, or (c) refund your purchase price. The decision to repair, replace or refund will be made by the warrantor.

Product or Part Name	Parts	Labor
Technics Turntable System (SL-100C)	2(two)years	2(two)years

During the "Labor" warranty period there will be no charge for labor. During the "Parts" warranty period, there will be no charge for parts. This Limited Warranty excludes both parts and labor for non-rechargeable batteries, antennas, and cosmetic parts (cabinet). This warranty only applies to products purchased and serviced in the United States. This warranty is extended only to the original purchaser of a new product which was not sold "as is".

Mail-In Service—Online Repair Request

Online Repair Request

To submit a new repair request and for quick repair status visit our Web Site at

<http://shop.panasonic.com/support>

When shipping the unit, carefully pack, include all supplied accessories listed in the Owner's Manual, and send it prepaid, adequately insured and packed well in a carton box. When shipping Lithium Ion batteries please visit our Web Site at <http://shop.panasonic.com/support> as Panasonic is committed to providing the most up to date information. Include a letter detailing the complaint, a return address and provide a daytime phone number where you can be reached. A valid registered receipt is required under the Limited Warranty.

IF REPAIR IS NEEDED DURING THE WARRANTY PERIOD, THE PURCHASER WILL BE REQUIRED TO FURNISH A SALES RECEIPT/PROOF OF PURCHASE INDICATING DATE OF PURCHASE, AMOUNT PAID AND PLACE OF PURCHASE. CUSTOMER WILL BE CHARGED FOR THE REPAIR OF ANY UNIT RECEIVED WITHOUT SUCH PROOF OF PURCHASE.

Limited Warranty Limits and Exclusions

This warranty ONLY COVERS failures due to defects in materials or workmanship, and DOES NOT COVER normal wear and tear or cosmetic damage. The warranty ALSO DOES NOT COVER damages which occurred in shipment, or failures which are caused by products not supplied by the warrantor, or failures which result from accidents, misuse, abuse, neglect, mishandling, misapplication, alteration, faulty installation, set-up adjustments, misadjustment of consumer controls, improper maintenance, power line surge, lightning damage, modification, introduction of sand, humidity or liquids, commercial use such as hotel, office, restaurant, or other business or rental use of the product, or service by anyone other than a Factory Service Center or other Authorized Servicer, or damage that is attributable to acts of God.

THERE ARE NO EXPRESS WARRANTIES EXCEPT AS LISTED UNDER "LIMITED WARRANTY COVERAGE". THE WARRANTOR IS NOT LIABLE FOR INCIDENTAL OR CONSEQUENTIAL DAMAGES RESULTING FROM THE USE OF THIS PRODUCT, OR ARISING OUT OF ANY BREACH OF THIS WARRANTY.

(As examples, this excludes damages for lost time, travel to and from the servicer, loss of or damage to media or images, data or other memory or recorded content. The items listed are not exclusive, but for illustration only.)

ALL EXPRESS AND IMPLIED WARRANTIES, INCLUDING THE WARRANTY OF MERCHANTABILITY, ARE LIMITED TO THE PERIOD OF THE LIMITED WARRANTY.

Some states do not allow the exclusion or limitation of incidental or consequential damages, or limitations on how long an implied warranty lasts, so the exclusions may not apply to you.

This warranty gives you specific legal rights and you may also have other rights which vary from state to state. If a problem with this product develops during or after the warranty period, you may contact your dealer or Service Center. If the problem is not handled to your satisfaction, then write to:

Panasonic Corporation of North America
Consumer Affairs Department 8th Fl.
Two Riverfront Plaza
Newark NJ 07102-5490

PARTS AND SERVICE, WHICH ARE NOT COVERED BY THIS LIMITED WARRANTY, ARE YOUR RESPONSIBILITY.

Product registration is not mandatory. Failure to complete the form does not affect the consumer's warranty rights.

Shop Accessories!

for all your Technics gear

Go to

<http://shop.panasonic.com/support>

Get everything you need to get the most out of your Technics products
Accessories & Parts for your Camera, Phone, A/V products, TV, Computers & Networking, Personal Care, Home Appliances, Headphones, Batteries, Backup Chargers & more...

Customer Services Directory

For Product Information, Operating Assistance, Parts, Owner's Manuals, Dealer and Service info go to <http://shop.panasonic.com/support>

For the hearing or speech impaired TTY: 1-877-833-8855

As of April 2022

The model number and serial number of this product can be found on either the back or the bottom of the unit. Please note them in the space provided below and keep for future reference.

MODEL NUMBER SL-100C

SERIAL NUMBER _____

User memo:

DATE OF PURCHASE _____

DEALER NAME _____

DEALER ADDRESS _____

TELEPHONE NUMBER _____

Limited Warranty (ONLY FOR CANADA)

Panasonic Canada Inc.

5770 Ambler Drive, Mississauga, Ontario L4W 2T3

TECHNICS PRODUCT - LIMITED WARRANTY

Panasonic Canada Inc. warrants this product to be free from defects in material and workmanship under normal use and for a period as stated below from the date of original purchase agrees to, at its option either (a) repair your product with new or refurbished parts, (b) replace it with a new or a refurbished equivalent value product, or (c) refund your purchase price. The decision to repair, replace or refund will be made by Panasonic Canada Inc.

Technics Turntable System (SL-100C)	2 (two) years parts and labour
--	--------------------------------

This warranty is given only to the original purchaser, or the person for whom it was purchased as a gift, of a Technics brand product mentioned above sold by an authorized Panasonic dealer in Canada and purchased and used in Canada, which product was not sold "as is", and which product was delivered to you in new condition in the original packaging.

IN ORDER TO BE ELIGIBLE TO RECEIVE WARRANTY SERVICE HEREUNDER, A PURCHASE RECEIPT OR OTHER PROOF OF DATE OF ORIGINAL PURCHASE, SHOWING AMOUNT PAID AND PLACE OF PURCHASE IS REQUIRED

LIMITATIONS AND EXCLUSIONS

This warranty ONLY COVERS failures due to defects in materials or workmanship, and DOES NOT COVER normal wear and tear or cosmetic damage. The warranty ALSO DOES NOT COVER damages which occurred in shipment, or failures which are caused by products not supplied by Panasonic Canada Inc., or failures which result from accidents, misuse, abuse, neglect, mishandling, misapplication, alteration, faulty installation, set-up adjustments, misadjustment of consumer controls, improper maintenance, power line surge, lightning damage, modification, introduction of sand, humidity or liquids, commercial use such as hotel, office, restaurant, or other business or rental use of the product, or service by anyone other than an Authorized Servicer, or damage that is attributable to acts of God.

Dry cell batteries are also excluded from coverage under this warranty.

THIS EXPRESS, LIMITED WARRANTY IS IN LIEU OF ALL OTHER WARRANTIES, EXPRESS OR IMPLIED, INCLUDING ANY IMPLIED WARRANTIES OF MERCHANTABILITY AND FITNESS FOR A PARTICULAR PURPOSE. IN NO EVENT WILL PANASONIC CANADA INC. BE LIABLE FOR ANY SPECIAL, INDIRECT OR CONSEQUENTIAL DAMAGES RESULTING FROM THE USE OF THIS PRODUCT OR ARISING OUT OF ANY BREACH OF ANY EXPRESS OR IMPLIED WARRANTY. (As examples, this warranty excludes damages for lost time, travel to and from the Authorized Servicer, loss of or damage to media or images, data or other memory or recorded content. This list of items is not exhaustive, but for illustration only.)

In certain instances, some jurisdictions do not allow the exclusion or limitation of incidental or consequential damages, or the exclusion of implied warranties, so the above limitations and exclusions may not be applicable. This warranty gives you specific legal rights and you may have other rights which vary depending on your province or territory.

WARRANTY SERVICE

For product operation, repairs and information assistance, please visit our Support page on:
www.panasonic.ca/english/support

IF YOU SHIP THE PRODUCT TO A SERVICENTRE

Carefully pack and send prepaid, adequately insured and preferably in the original carton.
Include details of the defect claimed, and proof of date of original purchase.

Introduction

Nous vous remercions d'avoir arrêté votre choix sur cet appareil. Veuillez lire attentivement ces instructions avant d'utiliser ce produit et conservez ce manuel pour une utilisation future.

- À propos des descriptions dans ce manuel d'utilisation
 - Les pages auxquelles se reporter sont indiquées comme suit « (⇒ 00) ».
 - Les illustrations présentées peuvent différer de votre tourne-disque.

Caractéristiques

Moteur à entraînement direct sans noyau pour une précision et une fiabilité élevées, ainsi qu'une rotation stable

- Une rotation stable est obtenue avec le moteur à entraînement direct sans noyau qui réduit les vibrations infimes lors de la rotation combiné à la technologie de commande du moteur qui commute le mode d'entraînement selon l'état de fonctionnement du moteur.
- En plus de fournir des performances supérieures, le moteur à entraînement direct ne nécessite aucun remplacement de pièces ou de maintenance.

Roulements de haute précision pour bras de lecture hautement sensible

- Le roulement de haute précision usiné qui est utilisé dans le roulement du bras de lecture avec suspension à cardan permet une sensibilité de réponse initiale élevée et un suivi précis des enregistrements.

Fonction de levage automatique pour lever le bras de lecture

- Cet appareil est équipé d'une fonction de levage automatique pour lever le bras de lecture lorsque la lecture du disque est terminée.

Ensemble complet, incluant les éléments ci-après, pour une écoute agréable des disques

- Cellule type VM de haute qualité.

Table des matières

● Avant toute utilisation

IMPORTANTES MISES EN GARDE.....	04
Accessoires	06
Nom des pièces.....	08

Avant toute
utilisation

● Démarrage

Assemblage du tourne-disque	10
● Avant la mise en place du plateau	11
● Mise en place du plateau.....	11
● Mise en place du tapis du plateau.....	11
● Mise en place de la coquille	11
● Mise en place du contrepoids	11
● Retrait du plateau	11
Raccordements et installation.....	12
● Connexion à un amplificateur ou un système à composants	12
● Installation	13
● Mise en place du couvercle.....	13
Réglage	14
● Équilibrage horizontal.....	14
● Force d'appui de la pointe de lecture	14
● Antipatinage	15
● Hauteur du bras de lecture	16
● Hauteur du lève-bras	17

Démarrage

● Lecture

Lecture de disques	18
--------------------------	----

Lecture

● Entretien

Entretien.....	20
Remplacement de la cellule	21
Guide de dépannage.....	22
Spécifications	23
Certificat de garantie limitée (CANADA SEULEMENT).....	24

Entretien

IMPORTANTES MISES EN GARDE

Avant d'utiliser l'appareil, lire attentivement les instructions qui suivent. Se conformer tout particulièrement aux avertissements inscrits sur l'appareil et aux consignes de sécurité indiquées ci-dessous. Conserver le présent manuel pour consultation ultérieure.

- 1 Lire attentivement ces instructions.
- 2 Conserver ces instructions.
- 3 Lire toutes les mises en garde.
- 4 Suivre toutes les instructions.
- 5 Ne pas utiliser cet appareil près d'une source d'eau.
- 6 Ne nettoyer qu'avec un chiffon sec.
- 7 Ne pas bloquer les événements d'aération. Installer l'appareil selon les instructions du fabricant.
- 8 Ne pas installer l'appareil près d'un appareil de chauffage tel qu'un radiateur, une cuisinière, un registre de chaleur ou tout dispositif émettant de la chaleur (y compris un amplificateur).
- 9 Pour des raisons de sécurité, ne pas modifier la fiche polarisée ou celle de mise à la terre. Une fiche polarisée est une fiche à deux lames, dont une plus large. Une fiche de mise à la terre est une fiche à deux lames avec une broche de masse. La lame plus large ou la broche de masse procure une protection accrue. Si ce genre de fiche ne peut être inséré dans une prise de courant, communiquer avec un électricien pour remplacer la prise.
- 10 S'assurer que le cordon est placé dans un endroit où il ne risque pas d'être écrasé, piétiné ou coincé. Faire particulièrement attention à ses extrémités de branchement, y compris sa fiche.
- 11 N'utiliser que les accessoires ou périphériques recommandés par le fabricant.
- 12 N'utiliser l'appareil qu'avec un chariot, meuble, trépied, support ou table recommandé par le fabricant ou vendu avec l'appareil. Lors de l'utilisation d'un chariot, le déplacer avec le plus grand soin afin d'éviter tout dommage.
- 13 Débrancher cet appareil lors d'un orage ou en cas de non-utilisation prolongée.
- 14 Confier l'appareil à un technicien qualifié pour toute réparation : cordon d'alimentation ou fiche endommagé, liquide renversé ou objet tombé dans l'appareil, exposition à la pluie ou à une humidité excessive, mauvais fonctionnement ou échappement de l'appareil.



Cordon d'alimentation c.a.

- La fiche d'alimentation permet de déconnecter l'appareil. L'appareil doit être installé à proximité d'une prise secteur facile d'accès.
- Assurez-vous que la lame pour la mise à la terre est insérée bien à fond afin de prévenir tout choc électrique.
- Un appareil de classe 1 peut être branché dans une prise secteur avec une protection pour mise à la terre.

ATTENTION

Appareil

- Ne placer sur l'appareil aucune source de flamme nue, telles des bougies allumées.

Emplacement

- Pour réduire les risques d'incendie, de choc électrique ou de dommages à l'appareil,
 - Ne pas installer cet appareil dans une bibliothèque, une armoire ou tout autre espace confiné.
 - S'assurer que la ventilation de l'appareil est adéquate.
 - Ne pas obstruer les événements d'aération de l'appareil avec des journaux, des nappes, des rideaux ou d'autres objets similaires.
- Installer les enceintes à au moins 10 mm ($13/32$ po) de l'appareil pour assurer une ventilation adéquate.
- Maintenir toute carte IC ou carte magnétique telle qu'une carte de crédit éloignée du plateau.
 - Sinon, la carte IC ou la carte magnétique peut devenir inutilisable en raison de l'effet magnétique.

AVERTISSEMENT

Appareil

- Pour réduire les risques d'incendie, de choc électrique ou de dommages à l'appareil,
 - N'exposez pas cet appareil à la pluie, à l'humidité, à l'égouttement ou aux éclaboussures.
 - Ne placez sur l'appareil aucun objet rempli de liquide, comme par exemple des vases.
 - Utilisez exclusivement les accessoires recommandés.
 - Ne retirez pas les couvercles.
 - Toute réparation doit être faite par un personnel qualifié et non par l'utilisateur.

La marque et le symbole suivants sont situés sous le fond de l'appareil.



Le symbole de l'éclair dans un triangle équilatéral indique la présence d'une tension suffisamment élevée pour engendrer un risque de chocs électriques.



Le point d'exclamation dans un triangle équilatéral indique que le manuel d'utilisation inclus avec l'appareil contient d'importantes recommandations quant au fonctionnement et à l'entretien de ce dernier.

Conforme à la norme CAN/CSA STD C22.2 No.62368-1.

CE QUI SUIT NE S'APPLIQUE QU'AU CANADA.
CAN ICES-3(B)/NMB-3(B)



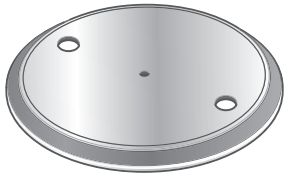
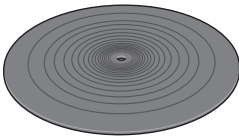
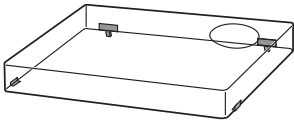
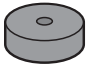
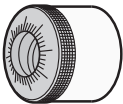
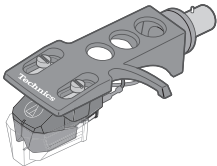
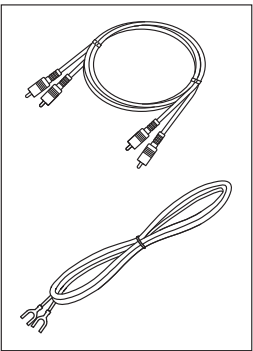
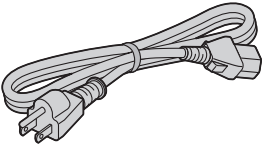
Information sur la mise au rebut dans les pays n'appartenant pas à l'Union européenne

Ce symbole est uniquement valide dans l'Union européenne.

Si vous désirez mettre ce produit au rebut, contactez l'administration locale ou le revendeur et informez-vous de la bonne façon de procéder.

Accessoires

Dans le but de prévenir tout risque de dommages pendant l'expédition, le tourne-disque a été démonté. Vérifiez la présence et l'état des pièces et accessoires suivants.
(Certaines pièces sont fournies dans un sac.)

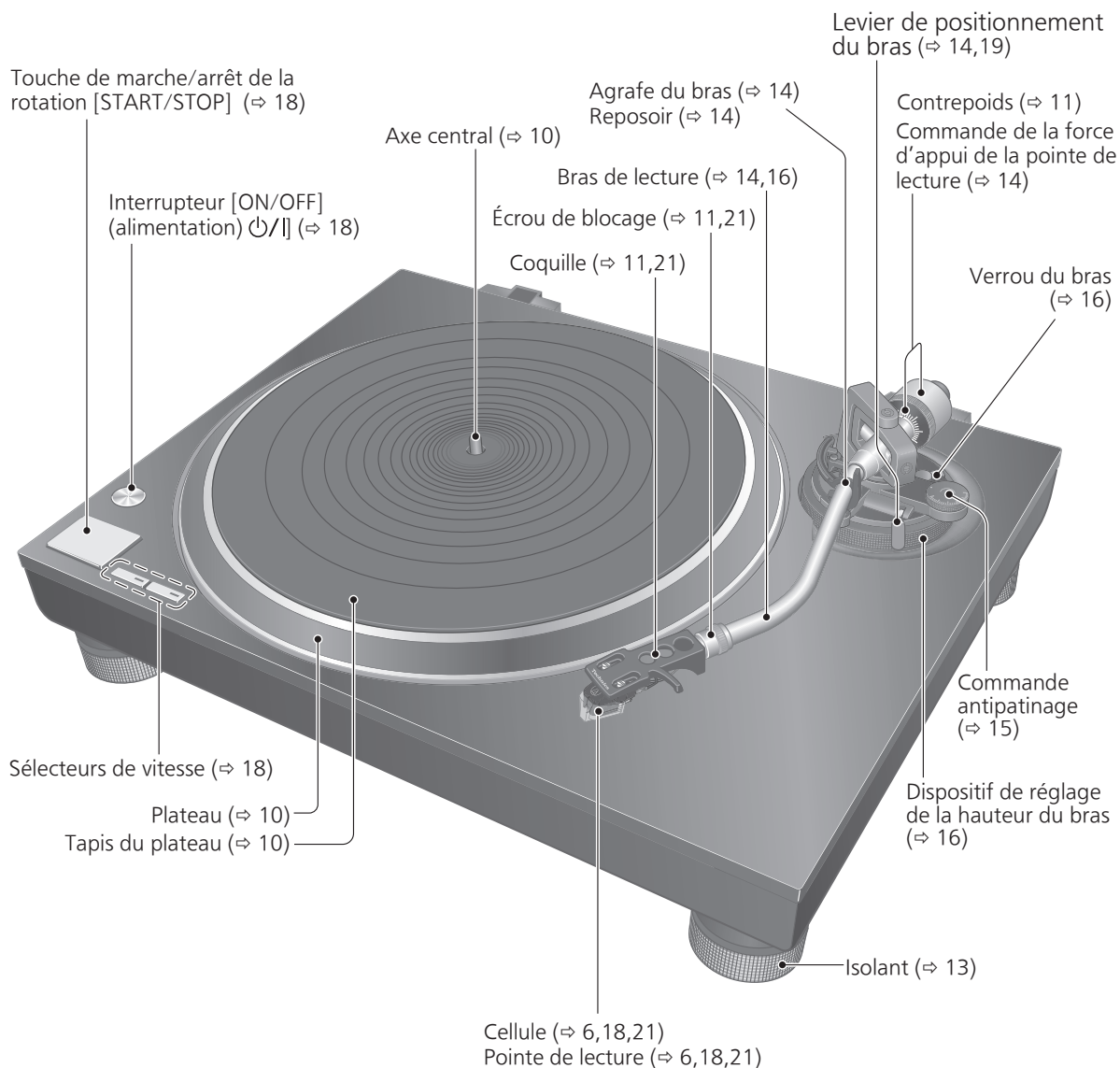
<p>Plateau (1 pc.) (TYL0422)</p> 	<p>Tapis du plateau (1 pc.) (TEFX5019)</p> 	<p>Couvercle (1 pc.) (TTFA0457)</p> 
<p>Adaptateur pour 45 tours prolongé (1 pc.) (TPH0339)</p> 	<p>Contrepoids (1 pc.) (TYL0361)</p> 	<p>Coquille avec cellule (1 pc.) (TYL0576)</p>  <p>La coquille est livrée avec une cellule équivalente à « Audio-Technica AT-VM95C ».</p>
<p>Câble PHONO (1pc.) Fil de terre PHONO (1 pc.) (TAQ0036)</p> 	<p>Cordon d'alimentation (1 pc.) (K2CG3YY00219)</p> 	

- Les numéros de modèle des accessoires datent d'avril 2022. Ils sont sujets à changements sans préavis.
- Conservez les matériaux d'emballage après avoir sorti les marchandises. Vous en aurez besoin lors du transport du produit sur une longue distance.
- Suivez les règlements locaux concernant la mise au rebut du produit.
- N'utilisez aucun autre cordon d'alimentation, câble PHONO et fil de terre PHONO à l'exception de ceux fournis.
- Conservez la coquille avec cellule et le adaptateur pour 45 tours prolongé hors de portée des enfants pour éviter toute ingestion.
- La pointe de lecture est un article consommable. Lors du remplacement, achetez une pointe de lecture « Audio-Technica AT-VMN95C ».

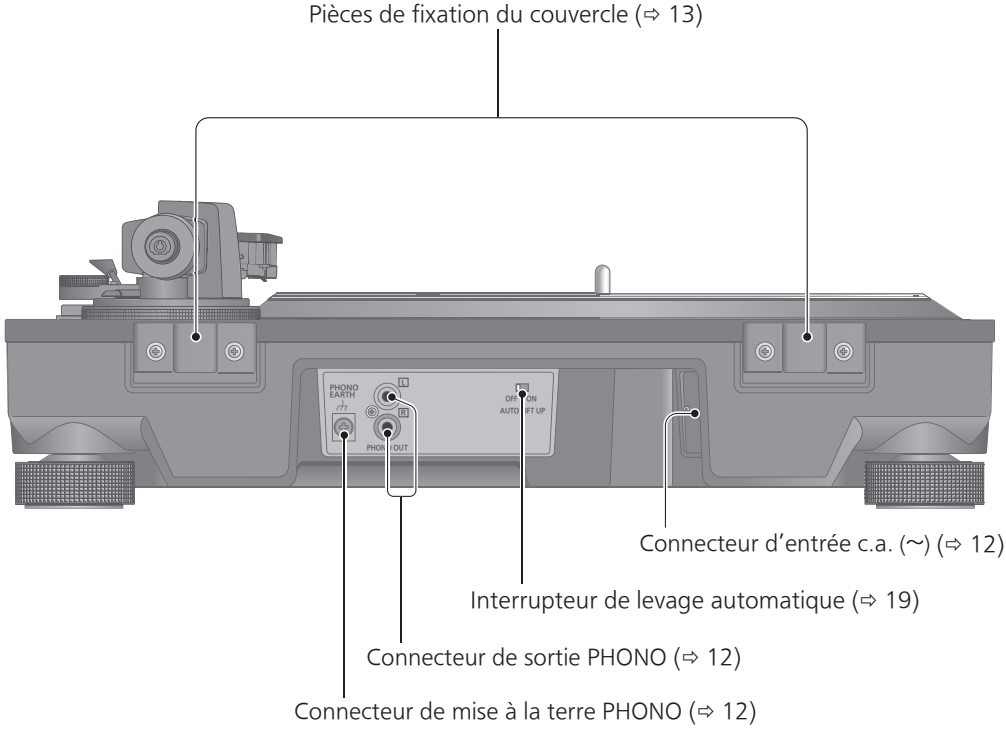
Nom des pièces

Les numéros tels que (⇒ 00) indiquent les pages de référence.

Avant



Arrière

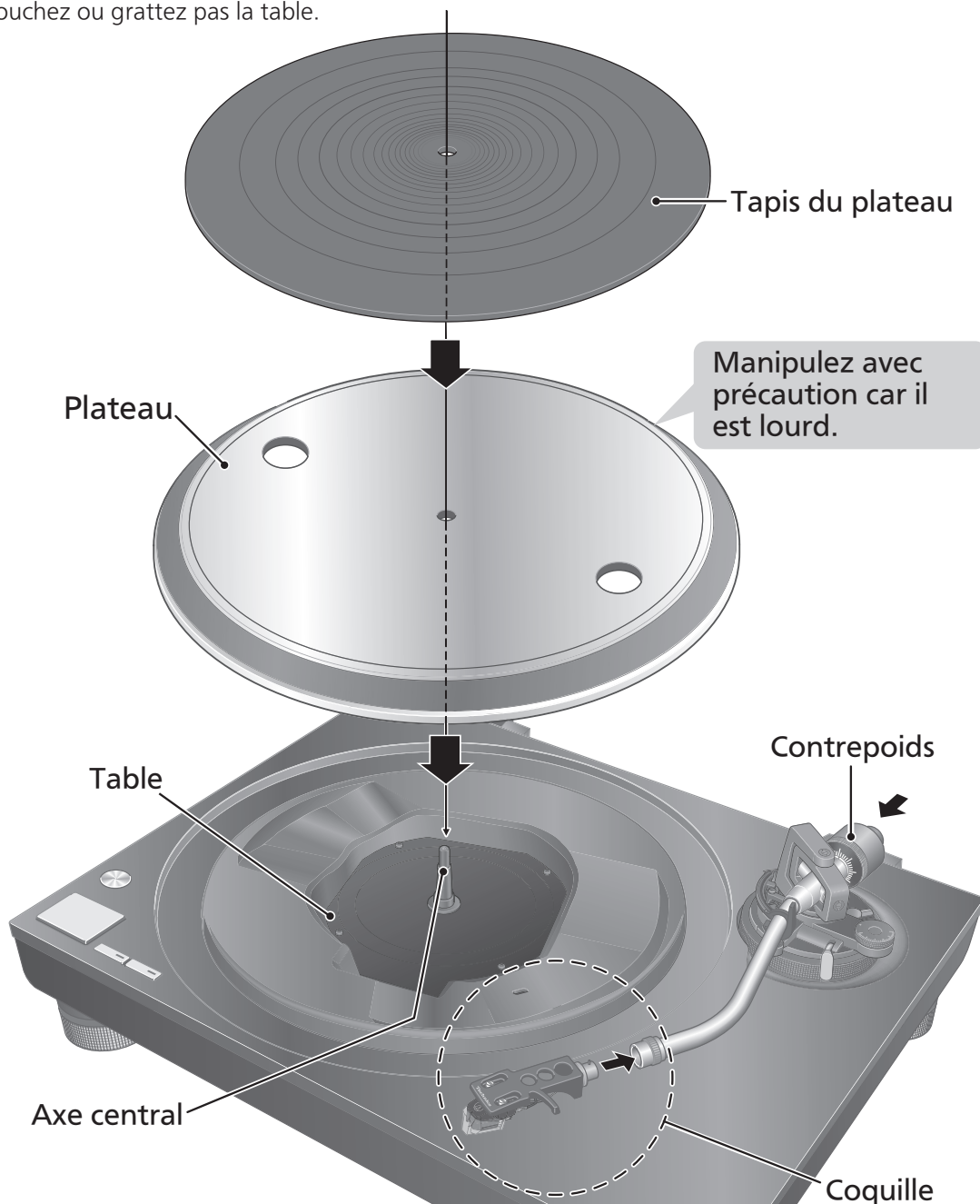


Assemblage du tourne-disque

Dans le but de prévenir tout risque de dommages pendant l'expédition, le tourne-disque a été démonté. Assemblez le tourne-disque dans l'ordre suivant.

Attention

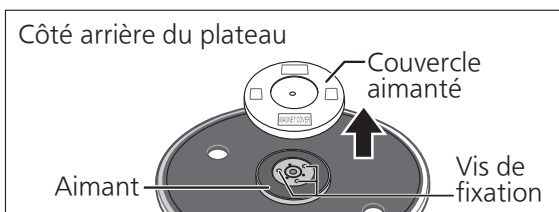
- Avant la mise en place, installez la protection sur la pointe de lecture pour protéger son extrémité (⇒ 18), remplacez le bras de lecture sur le reposoir et bloquez-le avec l'agrafe du bras.
- Ne branchez pas le cordon d'alimentation avant d'avoir terminé l'assemblage.
- Lors de la mise en place du plateau, empêchez tout matériau étranger de pénétrer entre l'unité principale et le plateau.
- Ne touchez ou grattez pas la table.



Avant la mise en place du plateau

1 Retirez le couvercle aimanté du plateau.

- L'aimant et son couvercle se trouvent à l'arrière du plateau. Retirez le couvercle aimanté avant de le fixer à l'unité principale.



Attention

- Gardez tout objet magnétique sensible, telle une carte magnétique ou une montre, éloigné de l'aimant.
- Empêchez le plateau de heurter l'unité principale ou de tomber. Empêchez que de la poussière ou de la poudre de fer adhère à l'aimant sur la face arrière.
- Ne touchez pas les vis de fixation (trois emplacements) du plateau. La performance nominale ne peut être garantie si elles ne sont pas convenablement positionnées.

Mise en place du plateau

2 Fixez lentement le plateau sur l'axe central.

Attention

- Soyez prudent lorsque vous manipulez le plateau, car il est lourd.
- Veillez à ce que vos doigts ne restent pas coincés.
- Essuyez les traces de doigts ou la poussière avec un chiffon doux.

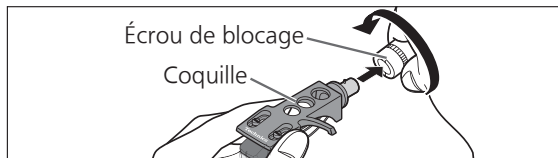
Mise en place du tapis du plateau

3 Déposez le tapis du plateau sur le plateau.

Mise en place de la coquille

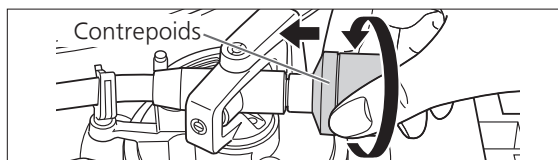
4 Fixez la coquille avec la cartouche dans le bras de lecture. Maintenez la coquille horizontale et serrez l'écrou de blocage.

- Veillez à ne pas toucher l'extrémité de la pointe de lecture.



Mise en place du contrepoids

5 Fixez le contrepoids à l'arrière du bras de lecture.

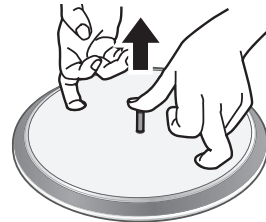


Nota

- L'intérieur du contrepoids est graissé.

Retrait du plateau

Comme le montre la figure de droite, placez les doigts dans les deux trous sur le plateau, maintenez l'axe central abaissé et retirez le plateau vers le haut.



Raccordements et installation

- Mettez tous les appareils hors marche et débranchez le cordon d'alimentation de la prise avant d'effectuer tout branchement.
- Branchez les cordons d'alimentation seulement après avoir terminé tous les autres raccordements.
- Veillez à connecter le fil de terre PHONO. Sinon des ronflements peuvent se produire.
- Consultez également le mode d'emploi de l'appareil connecté.

Connexion à un amplificateur ou un système à composants

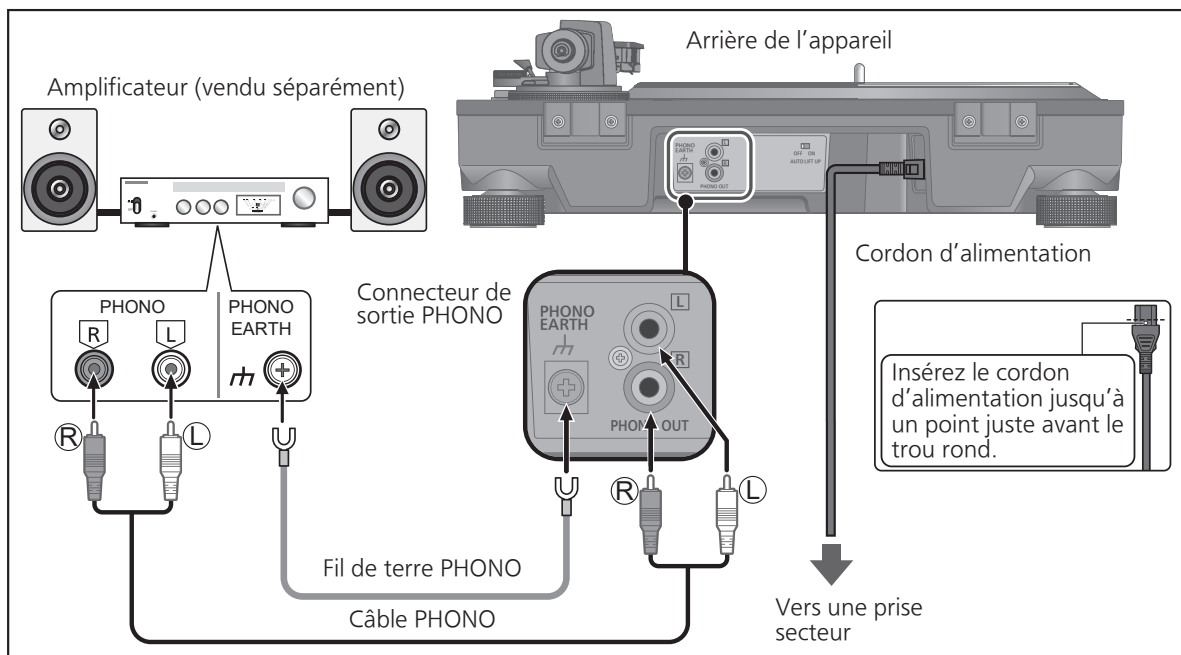
1 Mettez hors marche l'appareil et l'équipement connecté, puis débranchez le cordon d'alimentation de la prise.

2 Connectez le câble PHONO et le fil de terre PHONO aux connecteurs d'entrée PHONO de l'équipement connecté.

- Si l'amplificateur connecté n'est pas muni de connecteurs d'entrée PHONO, vous n'obtiendrez ni le volume ni le rendu sonore adéquat.

3 Branchez le cordon d'alimentation.

- Vérifiez le courant minimal de la prise d'alimentation de l'équipement connecté avant d'y brancher cet appareil. Pour connaître la consommation électrique de cet appareil, consultez les spécifications. (⇒ 23)



Attention

- Vissez le connecteur de mise à la terre PHONO à l'aide d'un tournevis cruciforme.

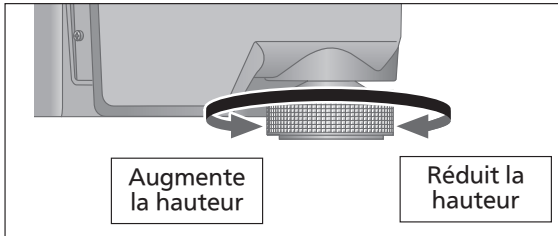
Nota

- Interrupteur veille/marche [⏻/⏻]
Appuyez pour faire passer l'appareil du mode veille au mode marche ou vice versa. En mode veille, l'appareil consomme toujours une faible quantité d'énergie.
Retirez la fiche de la prise électrique principale si vous ne comptez pas utiliser l'appareil pendant une longue période. Placez l'appareil de sorte que la prise puisse être facilement enlevée.

Installation

Installez le tourne-disque sur une surface de niveau, à l'abri de toute vibration. Éloignez le tourne-disque le plus loin possible des enceintes.

■ Réglage de la hauteur pour mettre le tourne-disque au niveau



Soulevez le tourne-disque pour tourner les isolateurs et réglez la hauteur.

- Dans le sens des aiguilles d'une montre : Réduit la hauteur.
- Dans le sens inverse des aiguilles d'une montre : Augmente la hauteur.

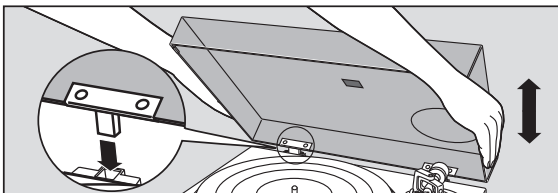
Attention

- Ne tournez pas trop loin les isolateurs.
- Cela peut vous amener à se détacher ou peut les endommager.

Mise en place du couvercle

1 Maintenez le couvercle avec les deux mains et insérez-le dans les pièces de fixation du couvercle (⇒ 09) sur le tourne-disque.

- Pour retirer le couvercle, gardez-le ouvert et soulevez-le à la verticale.



Attention

- Ramenez le bras de lecture sur le reposoir et fixez-le avec l'agrafe du bras avant d'installer ou de retirer le couvercle.
- Retirez le couvercle pendant la lecture.
- En insérant le couvercle, évitez que l'extrémité des charnières ne vienne heurter et endommager l'unité principale.

■ Remarques pour l'installation

- Avant de déplacer l'appareil, mettez-le hors marche, débranchez la fiche et tous les appareils connectés.
- Protégez l'appareil contre les rayons directs du soleil, la poussière, l'humidité et les sources de chaleur.
- Il est possible que l'appareil capte les interférences d'une radio, s'il y en a une à proximité. Éloignez le plus possible le tourne-disque d'une radio.
- N'installez pas le tourne-disque sur une source de chaleur.
- Évitez tout endroit présentant de grandes variations de température.
- Évitez tout endroit présentant fréquemment de la condensation.
- Évitez tout endroit instable.
- Ne placez pas d'objet sur le tourne-disque.
- N'installez pas le tourne-disque dans un espace confiné tel qu'une étagère.
- Installez le tourne-disque dans un emplacement suffisamment éloigné des murs ou d'autres dispositifs pour assurer un rayonnement thermique efficace de l'intérieur de l'appareil.
- Assurez-vous que l'emplacement de l'installation est suffisamment solide pour supporter le poids total de l'unité et du système. (⇒ 23)
- Notez que le tourne-disque peut être endommagé par la fumée de cigarette ou l'humidité d'un humidificateur à ultrasons.

■ Condensation

Pensez à l'exemple d'une bouteille froide sortie d'un réfrigérateur. Si elle est laissée dans une pièce pendant un certain temps, de la condensation se forme sur la surface de la bouteille. Ce phénomène est appelé « condensation ».

- Conditions provoquant de la condensation
 - ◇ Changement rapide de température (provoqué par un déplacement d'un endroit chaud à un endroit froid ou vice versa, par un refroidissement ou un chauffage rapide, ou une exposition directe à l'air froid)
 - ◇ Une forte humidité dans une pièce avec beaucoup de vapeur, etc.
 - ◇ Saison des pluies
- La condensation peut endommager le tourne-disque. Si cela se produit, mettez le tourne-disque hors marche et attendez qu'il s'adapte à la température ambiante (environ 2 à 3 heures).

Réglage

Équilibrage horizontal

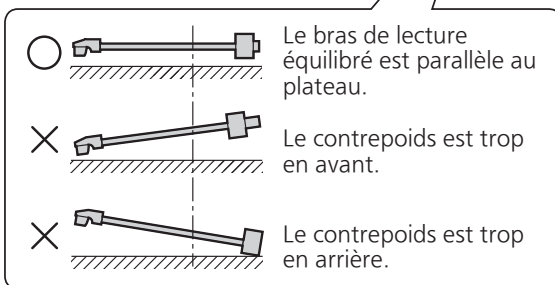
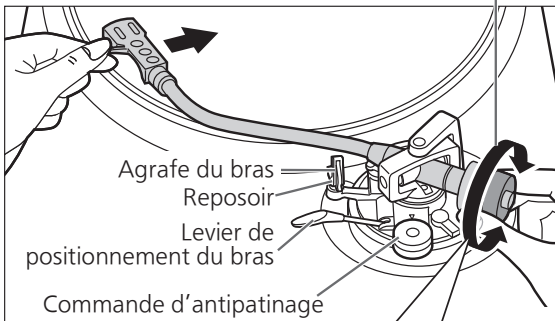
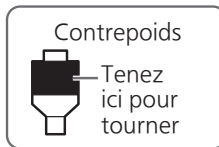
Préparatifs

- Tout d'abord, retirez le couvercle.
- Retirez le couvercle de la pointe de lecture (⇒ 18), en prenant bien soin de ne pas l'abîmer, puis dégagez l'agrafe du bras.
- Abaissez le levier de positionnement du bras.
- Mettez la commande d'antipatinage sur « 0 ».

1 Libérez le bras de lecture du reposoir et réglez l'équilibre horizontal en tournant le contrepois.

Maintenez le bras de lecture et tournez le contrepois dans le sens de la flèche pour régler l'équilibre jusqu'à ce que le bras soit horizontal le plus possible.

- Prenez soin de ne pas laisser l'extrémité de la pointe de lecture toucher le plateau ou l'unité principale.



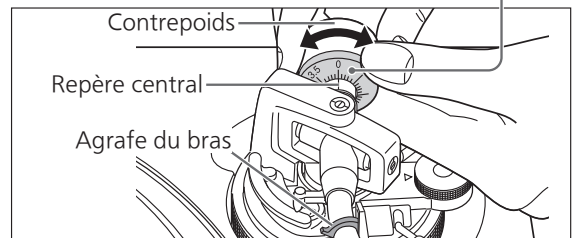
Force d'appui de la pointe de lecture

Préparatifs

- Ramenez le bras sur le reposoir et fixez-le avec l'agrafe du bras.

1 Tournez la commande de la force d'appui de la pointe de lecture jusqu'à ce que « 0 » arrive sur la ligne centrale de l'arrière du bras de lecture.

- Tenez le contrepois pendant ce réglage.

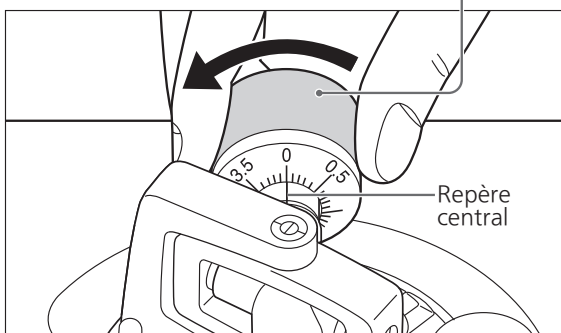
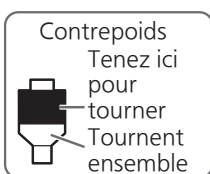


Nota

- Pression de la pointe de lecture de la cellule de lecture fournie: 1,8 - 2,2 g (norme de 2,0 g)
- Si vous utilisez une cellule de lecture vendue séparément, reportez-vous au guide d'utilisateur de votre cellule de lecture pour la pression de pointe de lecture appropriée.

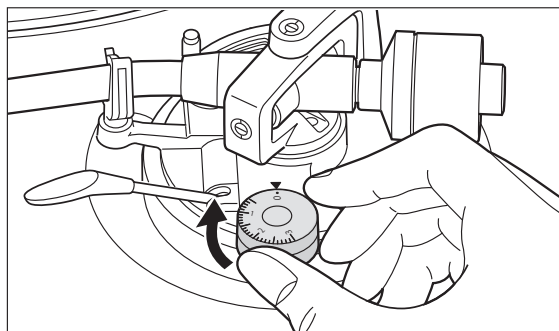
2 Tournez le contrepoids de manière à régler la force d'appui de la pointe de lecture appropriée pour la cellule.

- La commande de la force d'appui de la pointe de lecture tourne conjointement avec le contrepoids.
- Tournez jusqu'à ce que la ligne centrale pointe vers la force d'appui de la pointe de lecture appropriée.



Antipatinage

1 Tournez la commande antipatinage pour la régler sur la même valeur que celle de la commande de la force d'appui de la pointe de lecture.



Nota

- Pour des forces d'appui de la pointe de lecture de 3 g et plus, réglez la commande antipatinage sur « 3 ».

Réglage (suite)

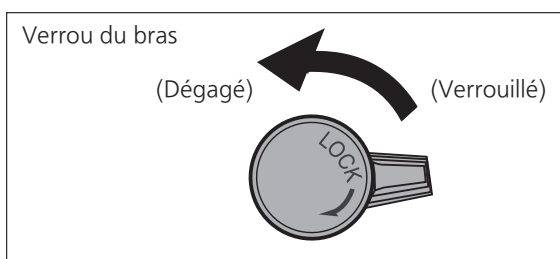
Hauteur du bras de lecture

Ne faites ce réglage que si la cellule utilisée le rend nécessaire.

Préparatifs

- Mettez un disque en place sur le plateau.

1 Dégagez le bras de son agrafe.



2 Réglez la hauteur à l'aide du dispositif de réglage de la hauteur du bras.

Réglez la hauteur du bras jusqu'à ce que le bras de lecture soit parallèle au disque.

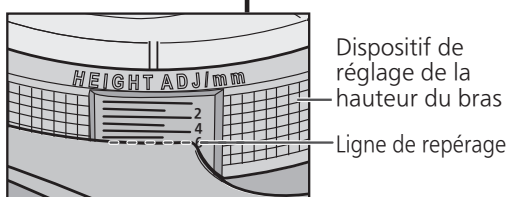
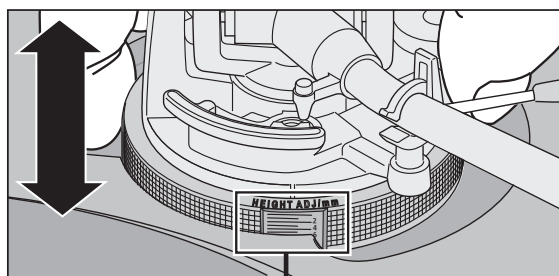
- ① Consultez le tableau ci-dessous pour trouver le repère de l'emplacement appropriée pour la hauteur de la cellule.

(Pour la coquille fournie)

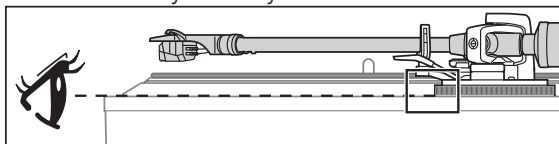
	Hauteur de la cellule (H) en millimètres	Position de la commande
	14	0
	15	1
	16	2
	17	3
	18	4
	19	5
	20	6

- Hauteur de la cellule fournie H = 17.2 (mm)
(Position de la commande : 3.2)

- ② Tenez le dispositif de réglage de la hauteur du bras et faites-le glisser vers le haut ou le bas pour aligner le repère de position sur la ligne d'index. De 0 à 6 mm (0 à $15/64$ po) sont indiqués sur le dispositif de réglage de la hauteur du bras.



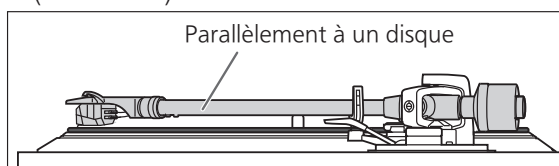
- Lorsque vous vérifiez la ligne d'index du dispositif de réglage de la hauteur du bras, vérifiez en ayant les yeux au même niveau.



■ Si vous ne connaissez pas la hauteur de la cellule de lecture (H) ou lorsque vous n'utilisez pas la coquille porte-cellule fournie

Retirez le couvercle de la pointe de lecture, en prenant bien soin de ne pas l'abîmer, puis dégagez l'agrafe du bras. Abaissez le levier de positionnement du bras, reposez la pointe de lecture sur un disque et réglez la commande de la hauteur jusqu'à ce que le bras de lecture et le disque soient parallèles.

- Si la hauteur de la cellule de lecture (H) est trop basse pour les rendre parallèles, ajoutez un « espaceur de cellule de lecture » (non fourni).



Hauteur du lève-bras

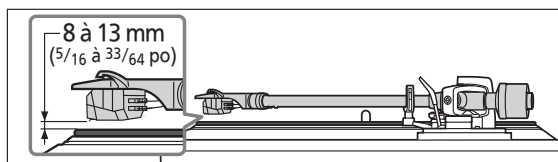
Procédez à un ajustement en fonction de votre cellule, si nécessaire.

Préparatifs

- Mettez un disque en place sur le plateau.
- Retirez le couvercle de la pointe de lecture (⇒ 18), en prenant bien soin de ne pas l'abîmer, puis dégagez l'agrafe du bras.
- Soulevez le levier de positionnement du bras et déplacez le bras au-dessus de la surface du disque.

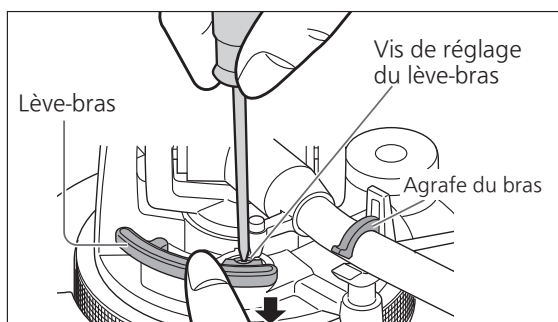
- 1 Vérifiez la hauteur du lève-bras (distance entre l'extrémité de la pointe de lecture et la surface du disque). Si un réglage est nécessaire, passez à l'étape 2.

- La hauteur du lève-bras est réglée par défaut de 8 à 13 mm ($\frac{5}{16}$ à $\frac{33}{64}$ po).



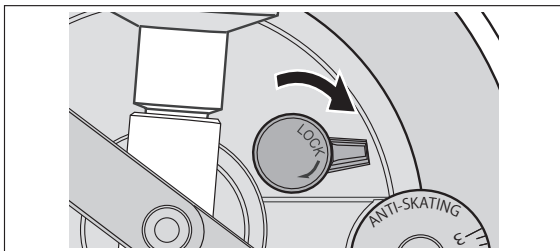
- 2 Remplacez le bras de lecture sur le reposoir, fixez-le avec l'agrafe du bras et, tout en appuyant vers le bas sur le lève-bras avec le doigt, tournez la vis pour régler la hauteur.

- Tournez la vis dans le sens des aiguilles d'une montre pour abaisser le lève-bras.
- Tournez la vis dans le sens inverse des aiguilles d'une montre pour lever le lève-bras.



- 3 Après le réglage de la hauteur du bras, verrouillez le bras de lecture en tournant le verrou du bras.

- Assurez-vous de tourner le bouton de verrouillage du bras jusqu'au bout, comme indiqué sur la figure ci-dessous. Il faudra peut-être appliquer une certaine force pour y parvenir.



Attention

- Veillez à ne pas endommager l'extrémité de la pointe de lecture.
- N'utilisez pas le produit sans que le bras ne soit verrouillé.
- Pour un réglage plus fin, utilisez un niveau (non inclus) pour régler la hauteur du bras afin que la cellule de lecture devienne parallèle au disque.

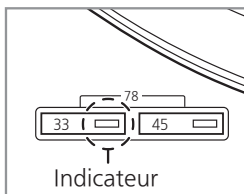
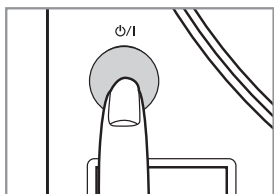
Lecture de disques

Préparatifs

- *1 Mettez un disque (non inclus) en place sur le plateau.
- *2 Retirez le couvercle de la pointe de lecture et dégagez l'agrafe.

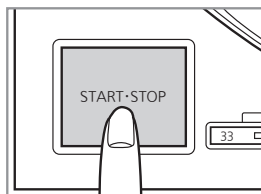
1 Appuyez sur [⏻/▶] pour mettre l'appareil en marche.

La lumière stroboscopique s'allume.
33 1/3 tr/min est automatiquement sélectionné et l'indicateur [33] s'allume.



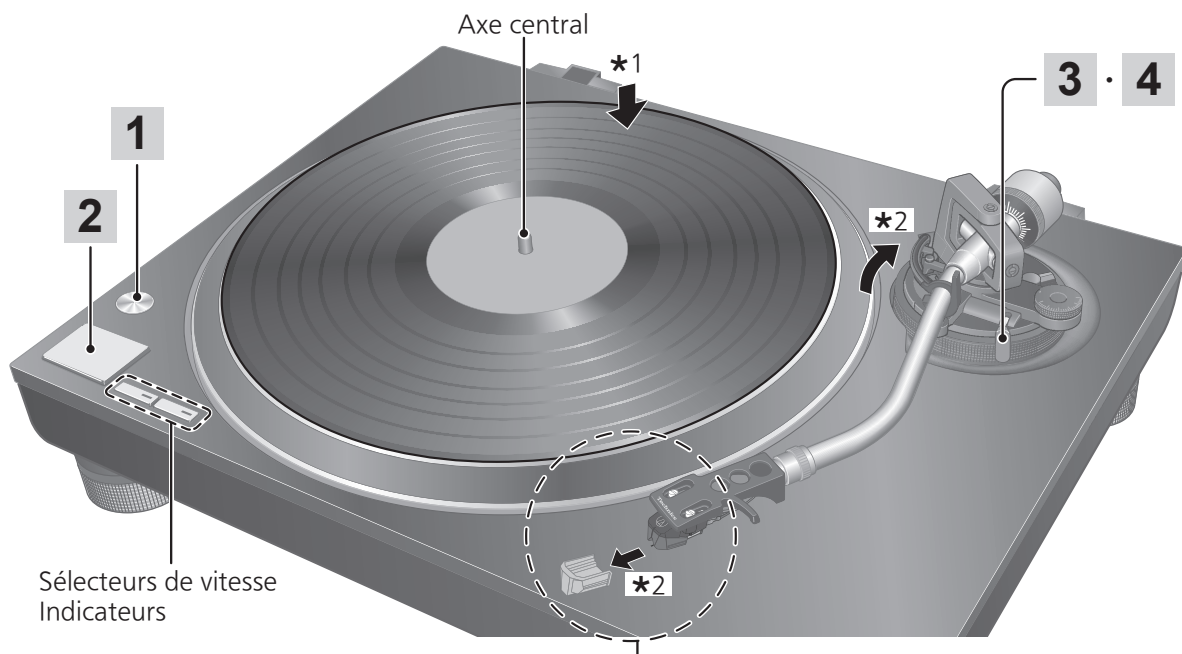
2 Appuyez sur [START-STOP].

La rotation du plateau s'amorce.



Attention

- **N'appuyez pas sur [START-STOP] lorsque le plateau est retiré.**
Si vous avez accidentellement appuyé sur [START-STOP]
 - L'indicateur du bouton de sélection de vitesse ([33] ou [45]) commence à clignoter.
⇒ Si le témoin clignote, appuyez sur [⏻/▶] pour mettre hors marche l'appareil, placez le plateau, puis appuyez à nouveau sur [⏻/▶] pour mettre en marche l'appareil.
- Mettez l'appareil sous tension ou hors tension avec le volume sur l'appareil connecté réglé au minimum.

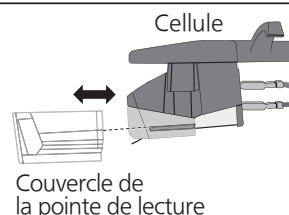


■ Retrait de la couvercle de la pointe de lecture

Retirez le couvercle du stylet en le faisant glisser tout droit et lentement vers l'avant de la cartouche tout en prenant soin de ne pas endommager le stylet.

■ Fixation de la couvercle de la pointe de lecture

Tenez fermement le couvercle du stylet des deux côtés, alignez-le avec l'avant de la cartouche et fixez-le en le faisant glisser lentement tout en prenant soin de ne pas endommager le stylet.

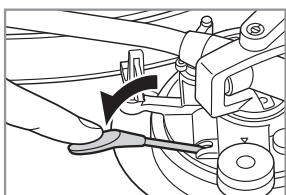


3 Soulevez le levier de positionnement du bras et déplacez le bras au-dessus de la surface du disque.



4 Abaissez lentement le levier de positionnement du bras.

Le bras de lecture s'abaisse lentement.



La lecture commence.

■ Pour interrompre momentanément la lecture

Levez le levier de positionnement du bras.

- La pointe de lecture s'élève au-dessus du disque.
- Pour reprendre la lecture, abaissez le levier de positionnement du bras.

■ Après la fin de la lecture

- ① Après avoir soulevé le levier de positionnement du bras pour ramener le bras de lecture sur le reposoir, abaissez-le complètement.
- ② Appuyez sur [START-STOP].
Le frein électrique arrête la rotation du plateau en douceur.
- ③ Appuyez sur [⏻/⏹] pour mettre l'appareil hors marche.
- ④ Fixez le bras de lecture avec l'agrafe du bras.
- ⑤ Remettez le couvercle de la pointe de lecture (pour protéger l'extrémité de la pointe de lecture).

■ Fonction de levage automatique

Cette fonction lève automatiquement le bras de lecture à la fin de la lecture d'un disque.

Cela empêche la lecture répétée du dernier sillon. (Cela n'arrête pas la rotation du plateau.)

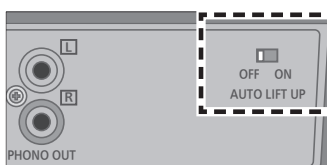
Cette fonction nécessite le réglage suivant pour être activée. Réglage : Lorsque l'appareil est hors marche, réglez l'interrupteur de levage automatique à l'arrière sur «ON».

(Le réglage d'usine est « ON ».)

- Après un levage automatique, assurez-vous de suivre les étapes ① à ⑤ décrites ci-contre à gauche dans « Après la fin de la lecture ».

Attention

- En fonction du disque, le levage automatique peut prendre un certain temps (environ 60 secondes) après la fin de la lecture, ou il peut être actionné lorsque le disque est toujours en cours de lecture. Si le bras de lecture est relevé pendant la lecture, réglez l'interrupteur de levage automatique sur «OFF».
- La fonction de levage automatique peut ne pas fonctionner normalement. Pour que le levage automatique fonctionne normalement, le levier de positionnement du bras doit être complètement abaissé lorsque le bras de lecture est ramené sur le reposoir après la fin de la lecture.



Interrupteur de levage automatique

■ Lors de la lecture de 45 tours prolongé

- Appuyez sur le sélecteur de vitesse [45] ([45] s'allume).
- Montez l'adaptateur pour 45 tours prolongé sur l'axe central.

■ Lors de la lecture de 78 tours

- Appuyez en même temps sur les sélecteurs de vitesse [33] et [45] (78 tours : [33] et [45] s'allume).

■ Lors de l'utilisation d'un stabilisateur de disque (non inclus)

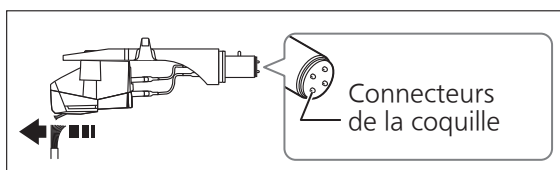
- Consultez le manuel d'instruction du stabilisateur de disque.
- Poids maximum : 1 kg

Entretien

■ Entretien des pièces

Enlevez toute poussière sur la pointe de lecture et sur le disque.

- Enlevez la coquille avec la cellule et nettoyez la pointe de lecture à l'aide d'un pinceau doux. Brossez depuis la base jusqu'à la pointe.
- Utilisez un nettoyant pour disque pour garder vos disques propres.



Essayez occasionnellement les connecteurs de la coquille.

Essayez les connecteurs de la coquille avec un chiffon doux et fixez la coquille sur le bras de lecture.

Baissez le volume de l'amplificateur ou mettez l'amplificateur hors tension avant de fixer ou de retirer la coquille.

Si la coquille est retirée alors que le volume n'est pas coupé, les haut-parleurs pourraient être endommagés.

■ Nettoyage du couvercle et du boîtier

Essayez le couvercle et le boîtier avec un chiffon doux.

Ne pas toucher la table pendant le nettoyage. Sinon, le lecteur pourrait ne pas fonctionner.

Lorsque la saleté est tenace, essorez un chiffon humide pour enlever la saleté, puis essuyez avec un chiffon doux.

- N'utilisez pas de solvants, benzène, diluant, alcool, détergent de cuisine, liquide d'essuie-glace, etc. Cela pourrait déformer le boîtier externe ou décoller le revêtement.
- N'essayez pas le couvercle lorsqu'il est en place. Cela risquerait d'attirer le bras de lecture vers le couvercle à cause de l'électricité statique générée. Assurez-vous que le couvercle soit retiré pendant la lecture d'un disque.

■ Transport du tourne-disque

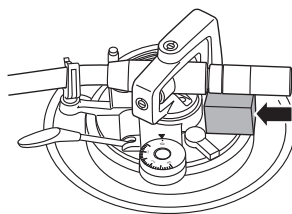
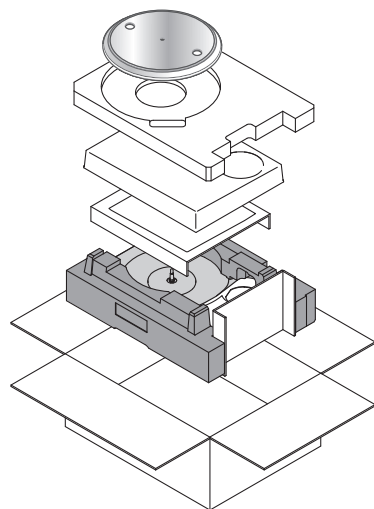
Remettez l'appareil dans son emballage d'origine.

Conservez les matériaux d'emballage après avoir sorti les marchandises.

Si l'emballage d'origine n'a pas été conservé, procédez comme suit :

- Retirez le plateau et le tapis et enveloppez-les soigneusement.
- Retirez la coquille et le contrepoids du bras de lecture et enveloppez-les soigneusement.
- Fixez le bras de lecture avec l'agrafe de bras et attachez-le avec du ruban adhésif.
- Enveloppez l'unité principale dans une serviette ou du papier.

Reconditionnement



Avant le reconditionnement, retirez le contrepoids d'équilibrage et insérez le support de bras de lecture sous le bras de lecture.

■ Symbole WEEE

Mise au rebut du produit en dehors des pays de l'UE



Ce symbole est uniquement valable dans l'UE.

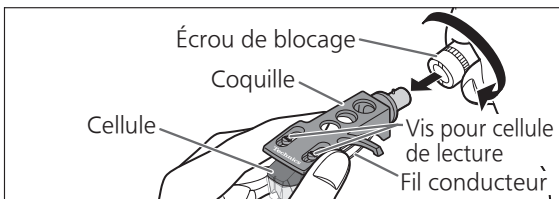
Contactez un service gouvernemental local ou votre revendeur pour savoir comment mettre ce produit au rebut convenablement.

Remplacement de la cellule

La cellule peut être remplacée par une cellule de votre préférence.

Retrait de la cellule fournie

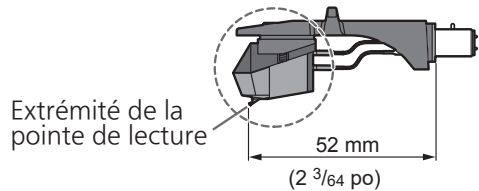
- 1 Fixez la protection de la pointe de lecture (⇒18) et desserrez l'écrou de blocage pour retirer le bras de lecture de la coquille.
- 2 Desserrez les vis de montage de la cellule pour retirer la cellule fournie de la coquille.
 - Utilisez un mini tournevis plat (4 mm [$5/32$ po]).
 - Veillez à ne pas toucher la pointe de lecture.
- 3 Retirez les fils des connecteurs.
 - Veillez à ne pas couper les fils.



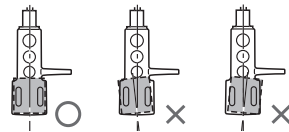
2 Réglez le porte-à-faux.

- Veillez à ne pas toucher la pointe de lecture.

- ① Déplacez la cellule pour régler le porte-à-faux afin que l'extrémité de la pointe de lecture se trouve à 52 mm ($2\text{-}3/64$ po) de l'extrémité de montage de la coquille, comme indiqué dans la figure ci-dessous.

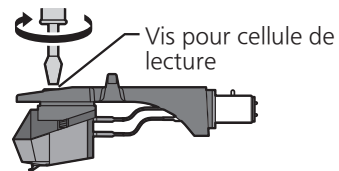


- ② La cellule doit être parallèle à la coquille vue du dessus et du côté (l'illustration présente la vue du dessus).



- ③ Serrez les vis de la cellule.

- Veillez à ne pas laisser la cellule glisser hors de l'emplacement.

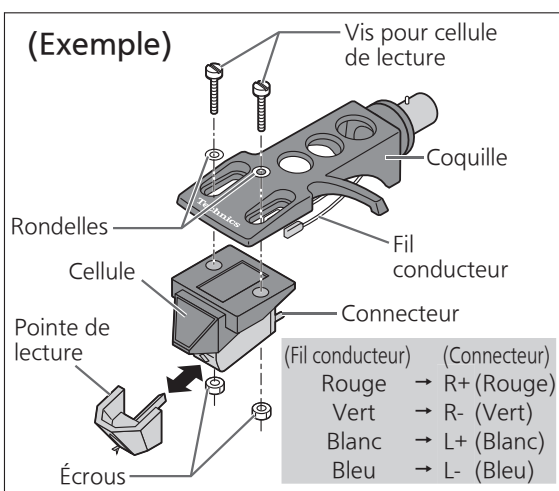


Fixation de la cellule

- 1 Fixez provisoirement une cellule (achetée en magasin).

Suivez les instructions d'installation de la cellule de remplacement pour la fixer correctement à la coquille et serrez légèrement les vis.

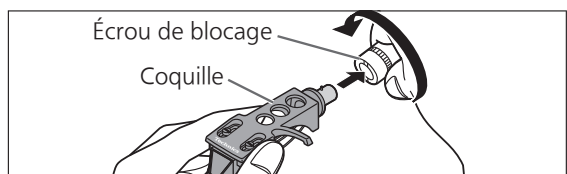
- Si des vis de fixation sont incluses avec la cellule, les utiliser.
- Lors de la lecture d'un disque 78 tours, utilisez une cellule spécifique pour 78 tours.
- Utilisez un mini tournevis plat (4 mm [$5/32$ po]).
- Veillez à ne pas toucher la pointe de lecture.



Mise en place de la coquille

- 3 Fixez la coquille avec la cartouche dans le bras de lecture. Maintenez la coquille horizontale et serrez l'écrou de blocage.

- Veillez à ne pas toucher la pointe de lecture.



Attention

- Rangez les vis, rondelles et écrous de manière à ne pas les perdre.

Guide de dépannage

Avant de faire appel au service, procédez aux vérifications ci-dessous. Si vous avez un doute concernant certains des points de vérification, ou si les solutions proposées dans le tableau ne résolvent pas le problème, communiquez avec votre revendeur.

Pas d'alimentation.

- Le cordon d'alimentation est-il branché?
→ Branchez le cordon en prenant soin d'introduire la fiche à fond dans la prise. (⇒ 12)

Aucun son n'est entendu. Le volume est faible.

- Les connexions aux prises PHONO de l'amplificateur/récepteur sont-elles adéquates?
→ Connectez les câbles PHONO aux prises PHONO de l'amplificateur. (⇒ 12)

Les signaux des canaux gauche et droit sont inversés.

- Les connexions du câble de raccordement stéréo à l'amplificateur ou au récepteur sont-elles inversées?
→ Vérifiez tous les raccordements. (⇒ 12)
- Les connexions des fils conducteurs de la coquille aux connecteurs de la cellule sont-elles adéquates?
→ Vérifiez tous les raccordements. (⇒ 21)

Un ronflement se produit pendant la lecture.

- Les câbles stéréo se trouvent-ils près d'appareils électriques ou de leur cordon d'alimentation?
→ Éloignez tout appareil électrique (et leur cordon d'alimentation) du tourne-disque.
- Le fil de terre est-il raccordé?
→ Assurez-vous que le fil de terre est bien raccordé. (⇒ 12)

Le voyant du sélecteur de vitesse [33] ou [45] clignote.

Procédez comme suit lorsque l'indicateur du sélecteur de vitesse [33] ou [45] clignote.

Pour corriger ceci :

- ① Appuyez sur [⏻/⏹] pour OFF.
 - ② Débranchez le cordon d'alimentation, attendez au moins trois secondes, puis réinsérez la fiche.
 - ③ Appuyez sur [⏻/⏹] pour mettre en marche l'appareil et appuyez sur [START-STOP] pour faire pivoter le plateau.
- Si le voyant du sélecteur de vitesse clignote à nouveau, vérifiez lequel clignote et contactez notre service clientèle.

Spécifications

Divers	
Alimentation	120 V c.a., 60 Hz
Consommation	8,0 W (EN MARCHÉ) Environ 0,2 W (HORS MARCHÉ)
Dimensions (L×H×P)	453 x 169 x 372 mm (17 ²⁷ / ₃₂ po × 6 ²¹ / ₃₂ po × 14 ²¹ / ₃₂ po)
Poids	Environ 9,9 kg (21,9 lb)
Température de fonctionnement	0 °C à +40 °C
Humidité relative	35 % à 80 % d'humidité relative (sans condensation)
Section tourne-disque	
Méthode d'entraînement	Système de plateau à entraînement direct (manuel)
Moteur	Moteur c.c. sans balais
Plateau	Aluminium moulé sous pression Diamètre : 332 mm (13 ⁵ / ₆₄ po) Poids : Environ 2,0 kg (4,5 lb) (y compris une feuille de caoutchouc)
Vitesses de rotation	33 ¹ / ₃ tr/min, 45 tr/min, 78 tr/min
Couple de démarrage	1,8 kg·cm (1,56 lb-po)
Caractéristiques d'établissement	0,7 s, pour passer de l'arrêt à 33 ¹ / ₃ tr/min
Système de freinage	Frein électronique
Pleurage / scintillement	0,025 % eff. pondéré

Section bras de lecture	
Type	Type statique équilibré
Longueur effective	230 mm (9 ¹ / ₁₆ po)
Porte-à-faux	15 mm (19/ ₃₂ po)
Angle d'erreur de poursuite	Moins de 2° 32' (au début d'un disque de 30 cm (12 po)) Moins de 0° 32' (à la fin d'un disque de 30 cm (12 po))
Angle correcteur d'erreur de piste	22°
Plage de réglage de la hauteur	0 - 6 mm (0 - 15/ ₆₄ po)
Plage de réglage de la force d'appui de la pointe de lecture	0 - 4 g (lecture directe)
Contrepoids de la coquille	Environ 7,6 g
Plage applicable pour le poids de la cellule	5,6 à 12,0 g 14,3 à 20,7 g (y compris la coquille)
Connecteurs de la coquille	4 broches 1,2 mm ø
Section cellule	
Type	Type VM
Tension de sortie	4,0 mV (1 kHz, 5 cm/sec.)
Poids	6,1 g
Pression de la pointe de lecture	1,8 à 2,2 g (norme de 2,0 g)

Sujet à changements sans préavis.

Certificat de garantie limitée (CANADA SEULEMENT)

Panasonic Canada Inc.

5770, Ambler Drive, Mississauga (Ontario) L4W 2T3

PRODUIT TECHNICS – GARANTIE LIMITÉE

Panasonic Canada Inc. garantit que ce produit est exempt de défauts de matériaux et de main-d'œuvre dans un contexte d'utilisation normale pendant la période indiquée ci-après à compter de la date d'achat original et, dans l'éventualité d'une défectuosité, accepte, à sa discrétion, de (a) réparer le produit avec des pièces neuves ou remises à neuf, (b) remplacer le produit par un produit neuf ou remis à neuf d'une valeur équivalente ou (c) rembourser le prix d'achat. La décision de réparer, remplacer ou rembourser appartient à Panasonic Canada Inc.

Platine tourne-disque Technics (SL-100C)	Deux (2) ans, pièces et main-d'œuvre
--	--------------------------------------

La présente garantie n'est fournie qu'à l'acheteur original d'un des produits de marque Technics indiqués plus haut, ou à la personne l'ayant reçu en cadeau, vendu par un détaillant Panasonic agréé au Canada et utilisé au Canada. Le produit ne doit pas avoir été « vendu tel quel » et doit avoir été livré à l'état neuf dans son emballage d'origine.

POUR ÊTRE ADMISSIBLE AUX SERVICES AU TITRE DE LA PRÉSENTE GARANTIE, LA PRÉSENTATION D'UN REÇU D'ACHAT OU DE TOUTE AUTRE PIÈCE JUSTIFICATIVE DE LA DATE D'ACHAT ORIGINAL, INDIQUANT LE MONTANT PAYÉ ET LE LIEU DE L'ACHAT, EST REQUISE.

RESTRICTIONS ET EXCLUSIONS

La présente garantie COUVRE SEULEMENT les défaillances attribuables à un défaut des matériaux ou à un vice de fabrication et NE COUVRE PAS l'usure normale ni les dommages esthétiques. La présente garantie NE COUVRE PAS NON PLUS les dommages subis pendant le transport, les défaillances causées par des produits non fournis par Panasonic Canada Inc., ni celles résultant d'un accident, d'un usage abusif ou impropre, de négligence, d'une manutention inadéquate, d'une mauvaise application, d'une altération, d'une installation ou de réglages impropres, d'un mauvais réglage des contrôles de l'utilisateur, d'un mauvais entretien, d'une surtension temporaire, de la foudre, d'une modification, de la pénétration de sable, de liquides ou d'humidité, d'une utilisation commerciale (dans un hôtel, un bureau, un restaurant ou tout autre usage par affaires ou en location), d'une réparation effectuée par une entité autre qu'un centre de service Panasonic agréé ou encore d'une catastrophe naturelle.

Les piles sèches sont également exclues de la présente garantie.

CETTE GARANTIE LIMITÉE ET EXPRESSE REMPLACE TOUTE AUTRE GARANTIE, EXPRESSE OU IMPLICITE, INCLUANT LES GARANTIES IMPLICITES DU CARACTÈRE ADÉQUAT POUR LA COMMERCIALISATION ET UN USAGE PARTICULIER. PANASONIC CANADA INC. N'AURA D'OBLIGATION EN AUCUNE CIRCONSTANCE POUR TOUT DOMMAGE DIRECT, INDIRECT OU CONSÉCUTIF RÉSULTANT DE L'UTILISATION DE CE PRODUIT OU DÉCOULANT DE TOUTE DÉROGATION À UNE GARANTIE EXPRESSE OU IMPLICITE. (À titre d'exemples, cette garantie exclut les dommages relatifs à une perte de temps, le transport jusqu'à et depuis un centre de service agréé, la perte ou la détérioration de supports ou d'images, de données ou de tout autre contenu en mémoire ou enregistré. Cette liste n'est pas exhaustive et n'est fournie qu'à des fins explicatives.) Certaines juridictions ne reconnaissent pas les exclusions ou limitations de dommages indirects ou consécutifs, ou les exclusions de garanties implicites. Dans de tels cas, les limitations stipulées ci-dessus peuvent ne pas être applicables. La présente garantie vous confère des droits précis; vous pourriez aussi avoir d'autres droits pouvant varier selon votre province ou territoire de résidence.

SERVICE SOUS GARANTIE

Pour tout renseignement sur les produits, réparation ou assistance technique, veuillez visiter notre page Soutien :

www.panasonic.ca/french/support

EXPÉDITION D'UN PRODUIT À UN CENTRE DE SERVICE

Emballer soigneusement, de préférence dans son carton d'origine, et expédier, franco de port, suffisamment assuré. Accompagnez le tout d'une description de la défectuosité présumée et d'une pièce justificative de la date d'achat original.

Homologation :

Il est recommandé de noter, dans l'espace prévu ci-dessous, le numéro de modèle et le numéro de série inscrits à l'arrière, ou sous le fond de l'appareil, et de conserver ce manuel pour référence ultérieure.	
NUMÉRO DE MODÈLE	SL-100C
NUMÉRO DE SÉRIE	_____

DATE D'ACHAT	_____
DÉTAILLANT	_____
ADRESSE DU DÉTAILLANT	_____
N° DE TÉLÉPHONE	_____

Panasonic Corporation of North America

Two Riverfront Plaza, Newark, NJ 07102-5490
<http://www.panasonic.com>

Panasonic Canada Inc.

5770 Ambler Drive,
Mississauga, Ontario,
L4W 2T3
www.panasonic.com

