

Technics[®]

OTTAVA™ *f*



Owner's Manual
Compact Stereo System
SC-C70

Music is borderless and timeless, touching people's hearts across cultures and generations.

Each day the discovery of a truly emotive experience from an unencountered sound awaits.

Let us take you on your journey to rediscover music.

Rediscover Music™

Technics

Delivering the Ultimate Emotive Musical Experience to All

At Technics we understand that the listening experience is not purely about technology but the magical and emotional relationship between people and music.

We want people to experience music as it was originally intended and enable them to feel the emotional impact that enthuses and delights them.

Through delivering this experience we want to support the development and enjoyment of the world's many musical cultures. This is our philosophy.

With a combination of our love of music and the vast high-end audio experience of the Technics team, we stand committed to building a brand that provides the ultimate emotive musical experience by music lovers, for music lovers.

Director
Michiko Ogawa

A handwritten signature in black ink, reading "Michiko Ogawa". The signature is fluid and cursive, with a long horizontal flourish extending to the right.

Thank you for purchasing this product.

Please read these instructions carefully before using this product, and save this manual for future use.

- About descriptions in this Owner's Manual
 - Pages to be referred to are indicated as "⇒ ○○".
 - The illustrations shown may differ from your unit.

If you have any questions, visit:

U.S.A.: <http://shop.panasonic.com/support>

Canada: www.panasonic.ca/english/support

Register online at

<http://shop.panasonic.com/support>

(U.S. customers only)

Features

Room-filling powerful and Hi-Fi sound

3 JENO Engines and 2-way 2.1ch 5 speakers deliver powerful and Hi-Fi sound in wide listening area by acoustic lenses placed in front of tweeter. In addition, Space Tune™ calibrates and optimizes the sound by analyzing the room acoustic environment.

Wide compatibility of music source

Supports CD, radio, USB, analog-optical input, DLNA, AirPlay, Internet radio, Spotify, TIDAL, Hi-res music sources and wireless connectivity (Bluetooth® and Wi-Fi).

Elegant look with ease-of-use

Premium design with iconic top loading CD mechanism and aluminum touch switch add the touch of beauty to your room. Favorite function provides easy access to radio stations and Spotify playlists. Furthermore, Technics Music App is available for handy music and system control.

Table of contents

Read first	06
------------	----

Please carefully read the "IMPORTANT SAFETY INSTRUCTIONS" of this manual before use.

Control reference guide	13
-------------------------	----

This unit, Remote control

Connections	22
-------------	----

Antenna connection, AC power supply cord connection, Network settings

Operations	37
------------	----

Playing back CDs, etc.

Settings	68
----------	----

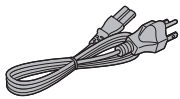
Sound adjustment, Other settings

Others	81
--------	----

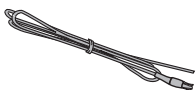
Troubleshooting, Specifications, etc.

Accessories

AC power supply cord (1)
K2CG3YY00209



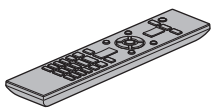
FM indoor antenna (1)
RSAX0002



AM loop antenna (1)
N1DYYYYY00011



Remote control (1)
N2QAYA000149



Batteries for remote control (2)



- Product numbers provided in this Owner's Manual are correct as of August 2017.
- These may be subject to change.
- Do not use AC power supply cord with other equipment.

Read first

IMPORTANT SAFETY INSTRUCTIONS ... 07

Warning 07

Caution 08

Installation11

Installation 11

Notes on the speakers..... 11

For optimum sound effects 11

Unit care 12

To dispose of or transfer this unit 12

[↻](#) Table of contents ... 04

IMPORTANT SAFETY INSTRUCTIONS

Read these operating instructions carefully before using the unit. Follow the safety instructions on the unit and the applicable safety instructions listed below. Keep these operating instructions handy for future reference.

- 1 Read these instructions.
- 2 Keep these instructions.
- 3 Heed all warnings.
- 4 Follow all instructions.
- 5 Do not use this apparatus near water.
- 6 Clean only with dry cloth.
- 7 Do not block any ventilation openings. Install in accordance with the manufacturer's instructions.
- 8 Do not install near any heat sources such as radiators, heat registers, stoves, or other apparatus (including amplifiers) that produce heat.
- 9 Do not defeat the safety purpose of the polarized or grounding-type plug. A polarized plug has two blades with one wider than the other. A grounding-type plug has two blades and a third grounding prong. The wide blade or the third prong are provided for your safety. If the provided plug does not fit into your outlet, consult an electrician for replacement of the obsolete outlet.
- 10 Protect the power cord from being walked on or pinched particularly at plugs, convenience receptacles, and the point where they exit from the apparatus.
- 11 Only use attachments/accessories specified by the manufacturer.
- 12 Use only with the cart, stand, tripod, bracket, or table specified by the manufacturer, or sold with the apparatus. When a cart is used, use caution when moving the cart/apparatus combination to avoid injury from tip-over.
- 13 Unplug this apparatus during lightning storms or when unused for long periods of time.
- 14 Refer all servicing to qualified service personnel. Servicing is required when the apparatus has been damaged in any way, such as power-supply cord or plug is damaged, liquid has been spilled or objects have fallen into the apparatus, the apparatus has been exposed to rain or moisture, does not operate normally, or has been dropped.



Warning

Unit

- To reduce the risk of fire, electric shock or product damage,
 - Do not expose this unit to rain, moisture, dripping or splashing.
 - Do not place objects filled with liquids, such as vases, on this unit.
 - Use only the recommended accessories.
 - Do not remove covers.
 - Do not repair this unit by yourself. Refer servicing to qualified service personnel.
 - Do not let metal objects fall inside this unit.
 - Do not place heavy items on this unit.

AC power supply cord

- The power plug is the disconnecting device. Install this unit so that the power plug can be unplugged from the socket outlet immediately.
- Ensure the earth pin on the power plug is securely connected to prevent electrical shock.
 - An apparatus with CLASS I construction shall be connected to a power socket outlet with a protective earthing connection.

Caution

Unit

- This unit utilizes a laser. Use of controls or adjustments or performance of procedures other than those specified herein may result in hazardous radiation exposure.
- Do not place sources of naked flames, such as lighted candles, on this unit.
- This unit may receive radio interference caused by mobile telephones during use. If such interference occurs, please increase separation between this unit and the mobile telephone.
- Keep magnetic items away from the product. Powerful magnets inside the top cover and disc tray part may damage debit cards, travel cards (transit passes), clocks and other objects.
- Do not touch the speaker diaphragm on the bottom of this unit. Doing so may deform the diaphragm, and as a result, sound may not be output correctly.

Placement

- Place this unit on an even surface.
- To reduce the risk of fire, electric shock or product damage,
 - Do not install or place this unit in a bookcase, built-in cabinet or in another confined space. Ensure this unit is well ventilated.
 - Do not obstruct this unit's ventilation openings with newspapers, tablecloths, curtains, and similar items.
 - Do not expose this unit to direct sunlight, high temperatures, high humidity, and excessive vibration.
- Do not lift or carry this unit by holding the top cover or front of this unit. Doing so may cause this unit to fall, resulting in personal injury or malfunction of this unit.

Battery

- Danger of explosion if battery is incorrectly replaced. Replace only with the type recommended by the manufacturer.
- Mishandling of batteries can cause electrolyte leakage and may cause a fire.
 - Remove the battery if you do not intend to use the remote control for a long period of time. Store in a cool, dark place.
 - Do not heat or expose to flame.
 - Do not leave the battery(ies) in a car exposed to direct sunlight for a long period of time with doors and windows closed.
 - Do not take apart or short circuit.
 - Do not recharge alkaline or manganese batteries.
 - Do not use batteries if the covering has been peeled off.
 - Do not mix old and new batteries or different types at the same time.
- When disposing of the batteries, please contact your local authorities or dealer and ask for the correct method of disposal.



CAUTION

**RISK OF ELECTRIC SHOCK
DO NOT OPEN**



CAUTION: TO REDUCE THE RISK OF ELECTRIC SHOCK, DO NOT REMOVE SCREWS. NO USER-SERVICEABLE PARTS INSIDE. REFER SERVICING TO QUALIFIED SERVICE PERSONNEL.



The lightning flash with arrowhead symbol, within an equilateral triangle, is intended to alert the user to the presence of uninsulated "dangerous voltage" within the product's enclosure that may be of sufficient magnitude to constitute a risk of electric shock to persons.



The exclamation point within an equilateral triangle is intended to alert the user to the presence of important operating and maintenance (servicing) instructions in the literature accompanying the appliance.

Conforms to UL STD 60065.

Certified to CAN/CSA STD C22.2 No.60065.

THIS FOLLOWING APPLIES IN THE U.S.A. AND CANADA.

This device complies with Part 15 of FCC Rules and RSS-Gen of IC Rules.

Operation is subject to the following two conditions:

- (1) This device may not cause interference, and
- (2) this device must accept any interference, including interference that may cause undesired operation of this device.

FCC ID: ACJ-SG-C70

IC: 216A-SCC70

This transmitter must not be co-located or operated in conjunction with any other antenna or transmitter.

This equipment complies with FCC/IC radiation exposure limits set forth for an uncontrolled environment and meets the FCC radio frequency (RF) Exposure Guidelines in Supplement C to OET65 and RSS-102 of the IC radio frequency (RF) Exposure rules. This equipment has very low levels of RF energy that is deemed to comply without maximum permissive exposure evaluation (MPE). But it is desirable that it should be installed and operated keeping the radiator at least 20 cm (7 7/8") or more away from person's body (excluding extremities: hands, wrists, feet and ankles).

THE FOLLOWING APPLIES ONLY IN THE U.S.A.

FCC Note:

This equipment has been tested and found to comply with the limits for a Class B digital device, pursuant to Part 15 of the FCC Rules.

These limits are designed to provide reasonable protection against harmful interference in a residential installation. This equipment generates, uses and can radiate radio frequency energy and, if not installed and used in accordance with the instructions, may cause harmful interference to radio communications.

However, there is no guarantee that interference will not occur in a particular installation. If this equipment does cause harmful interference to radio or television reception, which can be determined by turning the equipment off and on, the user is encouraged to try to correct the interference by one or more of the following measures:

- Reorient or relocate the receiving antenna.
- Increase the separation between the equipment and receiver.
- Connect the equipment into an outlet on a circuit different from that to which the receiver is connected.
- Consult the dealer or an experienced radio/TV technician for help.

FCC Caution: To assure continued compliance, follow the attached installation instructions and use only shielded interface cables when connecting to peripheral devices.

Any unauthorized changes or modifications to this equipment would void the user's authority to operate this device.

THE FOLLOWING APPLIES ONLY IN CANADA.

CAN ICES-3(B)/NMB-3(B)



Information on Disposal in other Countries outside the European Union

This symbol is only valid in the European Union.



If you wish to discard this product, please contact your local authorities or dealer and ask for the correct method of disposal.

Installation

Installation

- Turn off all the equipment before connection and read the appropriate operating instructions. Be sure to raise this unit when moving, and do not drag this unit.
- Do not carry this unit by holding the subwoofer of the bottom of this unit.

Notes on the speakers

- These speakers do not have magnetic shielding. Do not place them near TV, PC or other equipment easily influenced by magnetism.
- Playing music at high volumes for a long period can cause damage to the system and shorten the life of the system.
- Decrease the volume in the following conditions to prevent damage.
 - When playing distorted sound
 - When adjusting the sound quality
 - When turning on/off this unit

For optimum sound effects

The quality and volume of the bass sound, sound localization performance, sound ambience, etc. will change depending on the installation location of this unit, listening position, room conditions, and other factors. Refer to the information below when installing this unit.

Determining the installation location

- Place this unit on a flat safe surface.
- To minimize the gap in audio quality between left and right, install this unit in the way that acoustic conditions (reflection and absorption of sound) around this unit can be the same.

Adjusting the distances between this unit and the wall

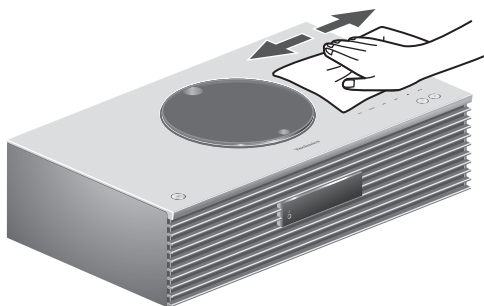
- If you install this unit close to a wall or a corner, the bass sound will be more powerful, however, if the unit is too close to it, sound localization performance and sound ambience may deteriorate. If this occurs, adjust the distance between this unit and the wall.

Adjusting with the Space Tune function

- You can adjust the sound quality according to the installation location. (⇒ 70)

Unit care

- Pull out the AC power supply cord from the socket before maintenance. Clean this unit with a soft cloth. To clean the top panel of this unit, use a soft cloth such as cleaning cloth (optional), etc. and wipe it horizontally along its texture.



- When dirt is heavy, wring a wet cloth tightly to wipe the dirt, and then wipe it with a soft cloth.
- Do not use solvents including benzene, thinner, alcohol, kitchen detergent, chemical wiper, etc. Doing so may cause the exterior case to be deformed or the coating to come off.

To dispose of or transfer this unit

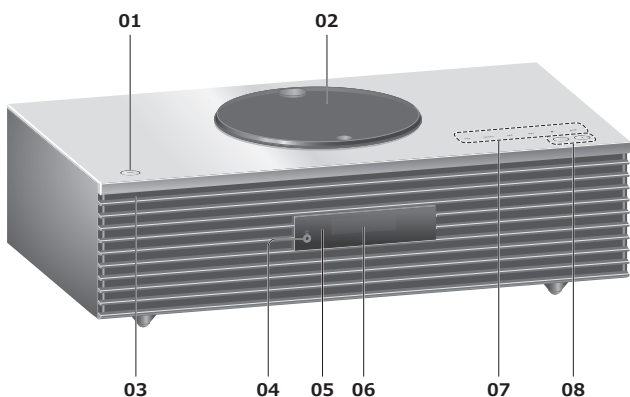
This unit may contain private information. Before disposing of or transferring this unit, perform the following to delete the data, including personal or secret information.

- “To restore all the settings to the factory defaults” (⇒ 83)

Control reference guide

This unit (front)	14
This unit (rear)	16
Remote control	18
Using the remote control	20
Remote control mode	20
↻ Table of contents ...	04

This unit (front)



01 Standby/on switch (⏻/⏻)

- Press to switch the unit from on to standby mode or vice versa. In standby mode, the unit is still consuming a small amount of power.

02 Top cover

(⇒ 39)

- The magnet is built-in to keep the top cover closing.
- Do not apply too much force to the top cover when sliding it. Doing so may cause malfunction.
- Do not leave the top cover open for a prolonged period. Doing so will cause the lens to become dirty.

03 Power indicator

- Blue: The unit is on.
- Off: The unit is in standby mode.

04 Headphones jack

- When a plug is connected, the speakers do not output sound.
- Excessive sound pressure from earphones and headphones can cause hearing loss.
- Listening at full volume for long periods may damage the user's ears.

05 Remote control signal sensor

- Reception distance:
Within approx. 7 m (23 ft) directly in front
- Reception angle:
Approx. 30° left and right

06 Display

- Input source, clock, playback status, etc. are displayed. (⇒ 90)

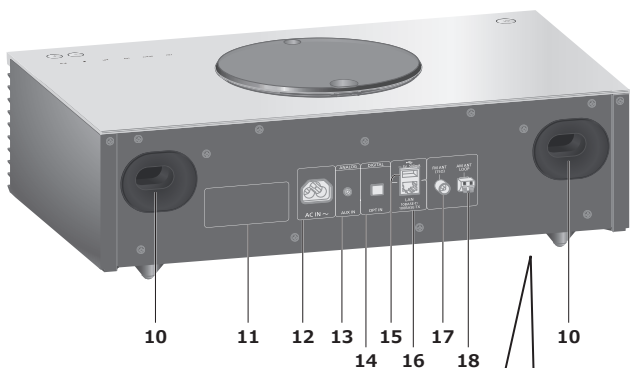
07 Touch switches

- [FAV]:
Select the favorite radio station or playlist (FM/AM/Internet Radio/Spotify) (⇒ 69)
- [SELECT]:
Switch the input source (⇒ 45, 50, 51, 54, 57)
- [⏮], [⏭], [■], [▶/⏸]:
Playback operation buttons
- Each time you press the switch, a beep sound will be heard. (⇒ 77)
- Do not put any objects on the top panel of this unit.

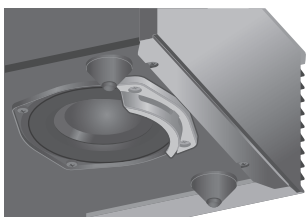
08 Adjust volume

- 0 (min) to 100 (max)

This unit (rear)



09 Subwoofer



(Bottom)

- Do not install this unit on the rough surface. Doing so may cause the subwoofer to be damaged.
- Do not hold the subwoofer when carrying this unit.



10 Bass reflex port

11 Product identification marking

- The model number is indicated.

12 AC IN terminal (～)

(⇒ 25)

13 AUX IN terminal

(⇒ 51)

14 Optical digital input terminal

(⇒ 50)

15 USB-A terminal DC 5 V 500 mA

- Port for USB devices (⇒ 45)

16 LAN terminal

(⇒ 27)

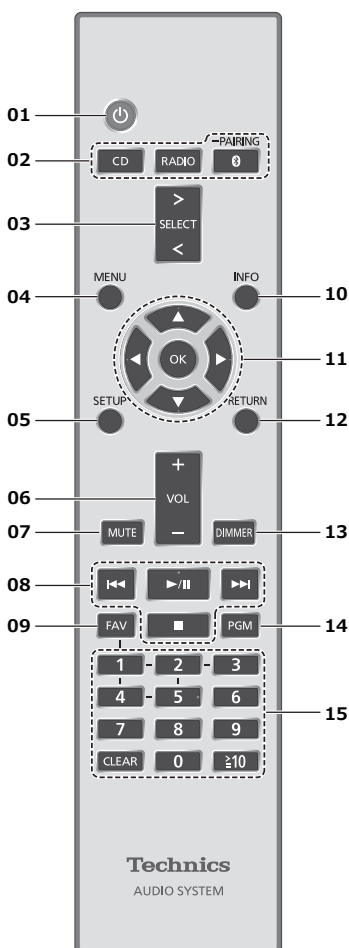
17 FM ANT terminal

(⇒ 23, 43)

18 AM ANT LOOP terminal

(⇒ 24, 43)

Remote control



01 []: Standby/on switch

- Press to switch the unit from on to standby mode or vice versa. In standby mode, the unit is still consuming a small amount of power.

02 [CD]/[RADIO]/[-PAIRING]: Select the device to be operated (⇒ 39, 43, 47)

03 [>SELECT<]: Switch the input source (⇒ 45, 50, 51, 54, 57)

04 [MENU]: Enter menu

- (⇒ 41, 43, 46, 47, 52, 55, 58, 62, 65)

05 [SETUP]: Enter setup menu (⇒ 70)

06 [+VOL-]: Adjust the volume

- 0 (min) to 100 (max)

07 [MUTE]: Mute the sound

- Press [MUTE] again to cancel. “MUTE” is also cancelled when you adjust the volume or when you turn the unit to standby.

08 Playback operation buttons

09 [FAV]: Select the favorite radio station or playlist (FM/AM/Internet Radio/Spotify)

- You can register up to 5 favorite stations.
(⇒ 69)

10 [INFO]: View content information

- Press this button to display the track, artist, and album names, file type, sampling frequency, and other information. (The information varies depending on the input source.)

11 [▲], [▼], [◀], [▶]/[OK]: Selection/OK

12 [RETURN]: Return to the previous display

13 [DIMMER]: Adjust the brightness of the display, etc.

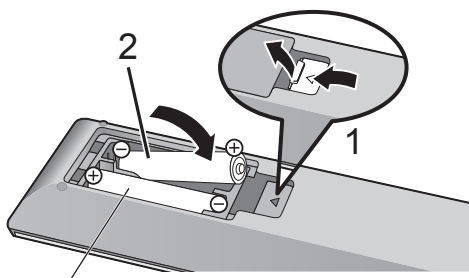
- When the display is turned off, it will light up for a few seconds only when you operate this unit. Before the display turns off, "Display Off" will be displayed for a few seconds.
- Press repeatedly to switch the brightness.

14 [PGM]: Set the program function

15 Numeric buttons, etc.

- To select a 2-digit number
Example:
16: [≥ 10] > [1] > [6]
- To select a 4-digit number
Example:
1234: [≥ 10] > [≥ 10] > [≥ 10] > [1] > [2] > [3] > [4]
- [CLEAR]: Clear the entered value.

Using the remote control



R03/LR03, AAA
(Alkaline or manganese batteries)

Note

- Insert the battery so the terminals (\oplus and \ominus) match those in the remote control.
- Point it at the remote control signal sensor on this unit. (\Rightarrow 14)
- Keep the batteries out of reach of children to prevent swallowing.

Remote control mode

When other equipment responds to the supplied remote control, change the remote control mode.

- The factory default is "Mode 1".

1 Press [SETUP].

2 Press [\blacktriangle], [\blacktriangledown] to select "Remote Control" and then press [OK].

- The current remote control mode of this unit is displayed.

3 When "Set Mode 1/2" is displayed, change the remote control mode of the remote control.

To set "Mode 1":

Press and hold [OK] and [1] for at least 4 seconds.

To set "Mode 2":

Press and hold [OK] and [2] for at least 4 seconds.

4 Point the remote control at this unit, and press and hold [OK] for at least 4 seconds.

- When the remote control mode is changed, the new mode will appear on the display for a few seconds.

■ **When “Remote 1” or “Remote 2” is displayed**

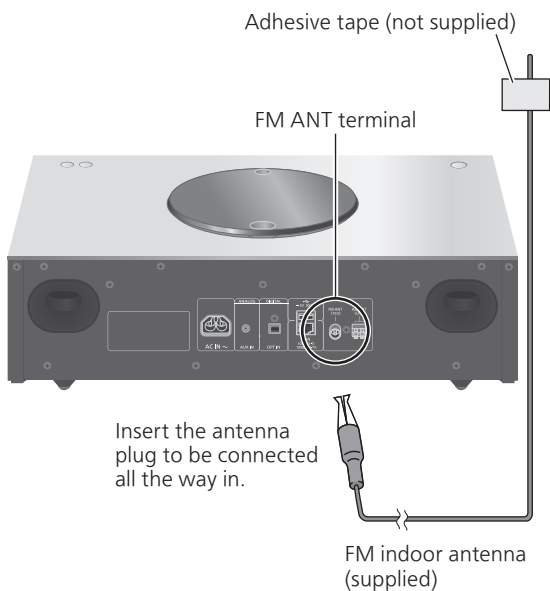
When “Remote 1” or “Remote 2” is displayed, the remote control modes of this unit and remote control are different. Perform step 3 above.

Connections

Antenna	23
FM antenna connection	23
AM loop antenna connection.....	24
AC power supply cord	25
AC power supply cord connection.....	25
Network settings	26
Wired LAN connection.....	27
Wireless LAN connection	28
This unit's name on the network "Friendly Name"	35
To check the MAC address of this unit "MAC Address"	35
To make network-related settings	36
🔄 Table of contents ...	04

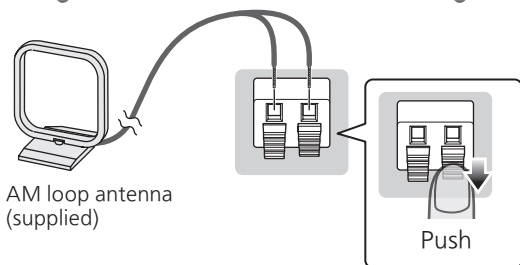
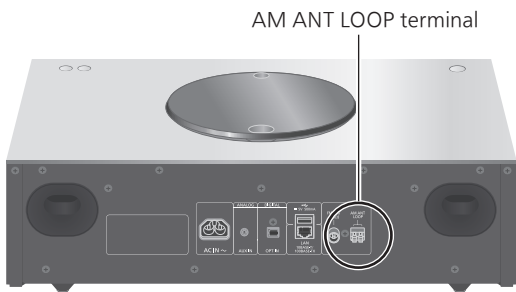
Antenna

FM antenna connection



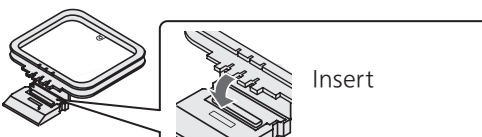
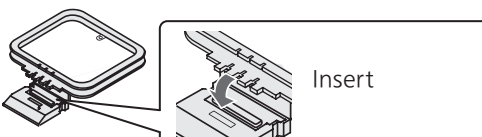




- Tape the antenna to a wall or column at the position with the least amount of interference.
- If radio reception is poor, use a FM outdoor antenna (not supplied).

AM loop antenna connection



How to assemble

-  1  Fold
-  2  Insert
-  3  Clicks!

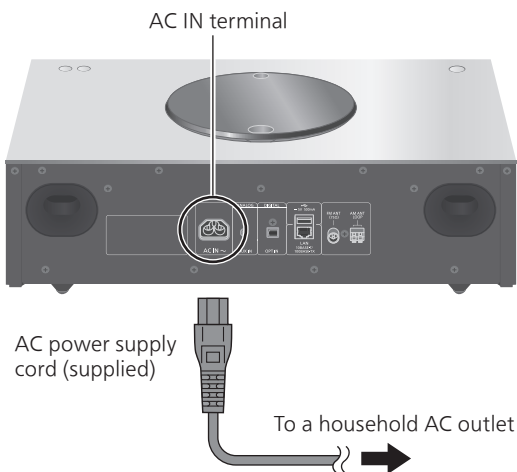
- Install the antenna at the position with the least amount of interference.

AC power supply cord

- Use only the supplied AC power supply cord.
- Insert the plugs of the cables to be connected all the way in.
- Do not bend cables at sharp angles.

AC power supply cord connection

Connect only after all other connections are completed.



- Wireless LAN (Wi-Fi®) setting may start when this unit is turned on. If you stop the Wi-Fi setting, select "Off" in "Wi-Fi Setup" screen. Select "On" to keep the Wi-Fi setting. (⇒ 28)

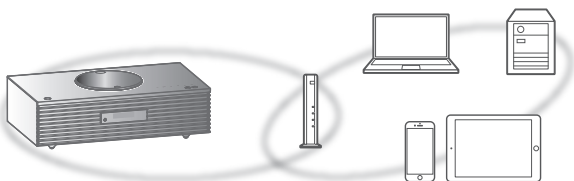
Note

- This unit consumes a small amount of AC power (⇒ 99) even when the unit is in standby mode. Remove the plug from the main electrical outlet if you will not be using the unit for an extended period of time. Place the unit so the plug can be easily removed.

Network settings

You can stream music from an iOS device (iPhone/iPad/iPod), an Android™ device or a PC (Mac/Windows) to this unit by using the AirPlay or DLNA feature. (⇒ 53, 61)

To use these features, this unit must join the same network as the AirPlay compatible device or the DLNA compatible device.



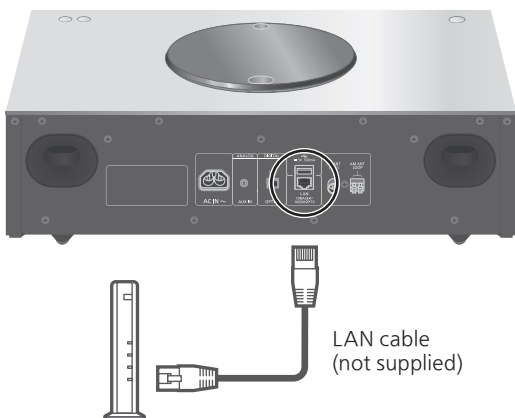
This unit can be connected to a router using a LAN cable or built-in Wi-Fi®.

For a stable connection to the network, a wired LAN connection is recommended.


Note

- If you try to change the network settings immediately after turning on this unit, it may take some time until the network setup screen is displayed.
- If "Firmware update is available" is displayed after the network connection is set up, the firmware for this unit is available.
 - Refer to "Firmware updates" (⇒ 79) for details on update.
 - For the update information, refer to the following website.
www.technics.com/support/firmware/

Wired LAN connection



Broadband router, etc.

- 1 Disconnect the AC power supply cord.**
- 2 Connect this unit to a broadband router, etc. using a LAN cable.**
- 3 Connect the AC power supply cord to this unit, and press [⏻]. (⇒ 25)**
 - When the connection is established, "  " is displayed.

Note

- While the AC power supply cord is disconnected, the LAN cable must be connected or disconnected.
- Use category 7 or above straight LAN cables (STP) when connecting to peripheral devices.
- Inserting any cable other than a LAN cable in the LAN port can damage the unit.
- When a LAN cable is connected, the Wi-Fi function may be disabled.

Wireless LAN connection

■ Preparation

- ① Disconnect the AC power supply cord.
- ② Disconnect the LAN cable.
- ③ Enable the 2.4 GHz frequency band on the wireless router.
- ④ Place this unit as close to the wireless router as possible.
- ⑤ Connect the AC power supply cord to this unit.
(⇒ 25)

Note

- The setting will be cancelled after the set time limit. In that case, try the setting again.
- To cancel this setting in the middle, press [■] or turn the unit to standby mode.

■ Settings for the first time

1 Press [⏻] to turn this unit on.

- “Wi-Fi Setup” is displayed.

2 Press [▲], [▼] to select “On” and then press [OK].

- “WAC Mode for iOS” automatically starts.

3 (For “WAC Mode for iOS”)

Proceed to step 2 of “Using the WAC (Wireless Accessory Configuration)”

(⇒ 30).

(For other network setting method)

Choose a network setting method.

Note

- When this unit is switched to standby mode and turned on before the Wi-Fi setting is complete, “Wi-Fi Setup” is displayed. Perform the Wi-Fi setting or select “Off”.

■ Choose a network setting method

Are you using an iPod touch/iPhone/iPad?

↓ Yes

Using the WAC (Wireless Accessory Configuration) (⇒ 30)

↓ No

Does your wireless network router support WPS (Wi-Fi Protected Setup™)?

↓ Yes

(WPS button)

Using the WPS button (⇒ 31)

(WPS PIN code)

Using the WPS PIN code (⇒ 31)

↓ No

Are you using an Android device?

↓ Yes

Using "Technics Music App" (⇒ 32)

↓ No

Using an internet browser (⇒ 33)

■ Settings using [SETUP] menu

- 1 Press [SETUP].
- 2 Press [▲], [▼] repeatedly to select "Network" and then press [OK].
 - When "Wi-Fi" screen is displayed, press [OK].
- 3 Press [▲], [▼] to select "On" and then press [OK]. (The wireless LAN function is enabled.)
- 4 Choose a network setting method.

Using the WAC (Wireless Accessory Configuration)

"WAC Mode for iOS"

You can send its Wi-Fi configuration to this unit using an iPhone/iPad/iPod touch.

- Supported devices:
iPhone/iPad/iPod touch (iOS version 7.0 or later)
- The following explanations are based on an iPhone.
- Make sure your iPhone is connected to your home wireless network beforehand.
- This unit uses the 2.4 GHz frequency band only. Check your iPhone is connected using 2.4 GHz band.

1 Press [▲], [▼] on the remote control to select "WAC Mode for iOS" and then press [OK].

- "Setting" is displayed.

2 Go to Wi-Fi settings on your iPhone.

3 Select "Technics SC-C70 ***" under the "SET UP NEW AIRPLAY SPEAKER..." on your iPhone.**

- "*****" stands for a character that is unique to each set.


4 The "AirPlay Setup" screen appears on your iPhone.

- This unit will be displayed as "Technics SC-C70 *****". To change the name, enter a new name to replace the existing one. You can also do the renaming after the network connection is set up. (⇒ 35)
- You can set a password for this unit under "SPEAKER PASSWORD". (You will need this password if you make network settings by internet browser next time.)

5 Select "Next" to apply the settings.

- "Linking" is displayed.
- When the connection is established, "Success" is displayed.
 - "Fail" may be displayed if the connection was not complete. Try this method again from [SETUP] menu. If "Fail" is still displayed, try other methods (⇒ 29).

6 Press [OK] on the remote control to exit the setting.

- "  " is displayed.

Note

- Mac (OS X 10.9 or later, with AirPort Utility 6.3.1. or later) also supports the WAC (Wireless Accessory Configuration).

Using the WPS button

“WPS Push”

If your wireless router supports WPS, you can set up a connection by pressing the WPS button.

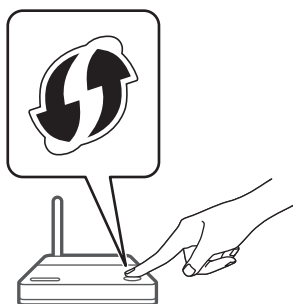
- A compatible wireless router may have the WPS identifier mark.

1 Press [▲], [▼] on the remote control to select “WPS Push” and then press [OK].

- “WPS” is displayed. Complete step 2 within 2 minutes.

2 After “WPS” is displayed, press the WPS button on the wireless router.

Example:



- “Linking” is displayed.
- When the connection is established, “Success” is displayed.
 - “Fail” may be displayed if the connection was not complete. Try this method again from [SETUP] menu. If “Fail” is still displayed, try other methods (⇒ 29).

3 Press [OK] on the remote control to exit the setting.

- “” is displayed.

Using the WPS PIN code

“WPS PIN”

If your wireless router supports WPS, you can set up a connection by entering the WPS PIN code.

- For details on how to enter the PIN code, refer to the operating instructions of the wireless router.

1 Press [▲], [▼] on the remote control to select “WPS PIN” and then press [OK].

- The PIN code is displayed. Complete step 2 within 2 minutes.

2 Enter the PIN code into the wireless router from PC, etc.

- “Linking” is displayed.
- When the connection is established, “Success” is displayed.
 - “Fail” may be displayed if the connection was not complete. Try this method again from [SETUP] menu. If “Fail” is still displayed, try other methods (⇒ 29).

3 Press [OK] on the remote control to exit the setting.

- “” is displayed.

Note

- Depending on a router, other connected devices may temporarily lose their connection.
- For details, refer to the operating instructions of the wireless router.

Using “Technics Music App” “Setup from Browser”

If you install the dedicated app “Technics Music App” (free of charge) on your Android device, you can set up a connection using the application.

- If you’re using an Android device, download the app at Google Play™.
- Check the password for your home wireless network.
- Make sure your Android device is connected to your home wireless network beforehand.
- This unit uses the 2.4 GHz frequency band only. Check your Android device is connected using 2.4 GHz band.

1 Press [▲], [▼] on the remote control to select “Setup from Browser” and then press [OK].

- “Setting” is displayed.

2 Start “Technics Music App” on the Android device.

3 Select “” and go to Wi-Fi settings.

4 Enter the password for your home wireless network.

5 Select "Next" to apply the settings.

- "Linking" is displayed.
- When the connection is established, "Success" is displayed.
 - "Fail" may be displayed if the connection was not complete. Try this method again from [SETUP] menu. If "Fail" is still displayed, try other methods (⇒ 29).
- Depending on the device, the connection complete screen may not be displayed.

6 Make sure to connect your Android device back to your home wireless network.

7 Press [OK] on the remote control to exit the setting.

- "  " is displayed.

Using an internet browser

"Setup from Browser"

You can access this unit's network settings from the internet browser on iOS device (iOS version 6.1.6 or earlier), Android device, PC, etc.

- This unit uses the 2.4 GHz frequency band only. Check the device can be connected using 2.4 GHz band.
- The following explanations are based on an Android device.

1 Press [▲], [▼] on the remote control to select "Setup from Browser" and then press [OK].

- "Setting" is displayed.


2 Go to Wi-Fi settings on your compatible device and select "00 Setup *****" to connect to this unit.

- "*****" stands for a character that is unique to each set.

3 Start the internet browser and type "http://192.168.1.12/" into the URL address field and display the page.

- Examples of internet browsers
 - Android device: Google Chrome™
 - iOS device/Mac: Safari
 - PC: Windows Internet Explorer
- If the network setup screen is not displayed on the Android device even if "http://192.168.1.12/" is input, set the Android device to the airplane mode. Then, set the Wi-Fi setting to On, and make the network connection setting again on the setting menu of this unit.

4 Select "Search wireless network".

- 5 Select your home wireless network name (Network name (SSID)) and type the password for this network.**
- 6 Select "JOIN" to apply the settings.**
 - "Linking" is displayed.
 - When the connection is established, "Success" is displayed.
 - "Fail" may be displayed if the connection was not complete. Try this method again from [SETUP] menu. If "Fail" is still displayed, try other methods (⇒ 29).
 - Depending on the device, the connection complete screen may not be displayed.
- 7 Make sure to connect your compatible device back to your home wireless network.**
- 8 Press [OK] on the remote control to exit the setting.**
 - "  " is displayed.

Note

- Enable JavaScript and Cookies in your browser settings.
- If known by a third party, the password will be at risk of being used for fraud. Manage your password securely with your responsibility. Panasonic does not accept any responsibility for damage caused by fraud.

This unit's name on the network "Friendly Name"

You can change this unit's name on the network (e.g. "Room 1" or "Living Room" etc.).

- 1 Press [SETUP].
- 2 Press [▲], [▼] repeatedly to select "Network" and then press [OK].
- 3 Press [▲], [▼] repeatedly to select "Friendly Name" and then press [OK].
 - The current name of this unit is displayed. Press [OK] to edit.
- 4 Press [▲], [▼], [◀], [▶] to input the friendly name.
 - Only ASCII characters can be used.
 - "A" can be added when you press the [▶] at the time of the last letter of the Friendly Name is selected.
 - Press [CLEAR] to delete a letter.
 - Press [≥10] to insert a letter "A".
 - Default name is "Technics SC-C70 *****".
"*****" stands for a number that is unique to each set.
- 5 Press [OK] to apply the settings.
- 6 Press [RETURN] to exit the settings.
 - When Friendly Name is not displayed properly, delete and input the friendly name again. If the problem still persists, restore all the settings to the factory defaults. (⇒ 83)

To check the MAC address of this unit "MAC Address"

- 1 Press [SETUP].
- 2 Press [▲], [▼] repeatedly to select "Network" and then press [OK].
- 3 Press [▲], [▼] repeatedly to select "MAC Address" and then press [OK].
 - The MAC address of this unit is displayed.
- 4 Press [RETURN] to exit the screen.

To make network-related settings

You can set specific IP address, subnet mask, default gateway, primary DNS, etc. (If your network requires specific settings, disable DHCP.)


- Do not play back music while changing these settings.

- 1 Press [SETUP].**
- 2 Press [▲], [▼] repeatedly to select "Network" and then press [OK].**
- 3 Select and input the details.**
- 4 Press [OK] to apply the settings.**
- 5 Press [RETURN] to exit the settings.**
- 6 Press [⏻] to switch the unit to standby.**
 - Wait until "Please Wait" disappears.
- 7 Perform the network setting. (⇒ 26)**

Operations

Playing back CDs	39
Operations during playback	40
Repeat playback "Repeat"	41
Random repeat playback "Random"	41
Program playback "PGM"	41
Playing back CD more natural-sounding audio "RE-MASTER"	42
Listening to FM/AM Radio	43
Frequency step setting	43
Storing FM/AM stations	43
Listening to a preset FM/AM channel.....	44
Manual tuning and presetting	44
For reducing noisy sound	44
Using USB device	45
Operations during playback	45
Repeat playback "Repeat"	46
Random repeat playback "Random"	46
Using Bluetooth®	47
Bluetooth® transmission mode	48
Operations during playback	49
Disconnecting a Bluetooth® device.....	49
Using digital audio output device	50
Using the auxiliary input	51
Adjust the volume level "Input Level"	52
Playing back music files on the DLNA server	53
Playing back content stored on the DLNA server by controlling it from this unit.....	54
Operations during playback	54
Repeat playback "Repeat"	55
Random repeat playback "Random"	55
Operations using the dedicated app "Technics Music App"	55

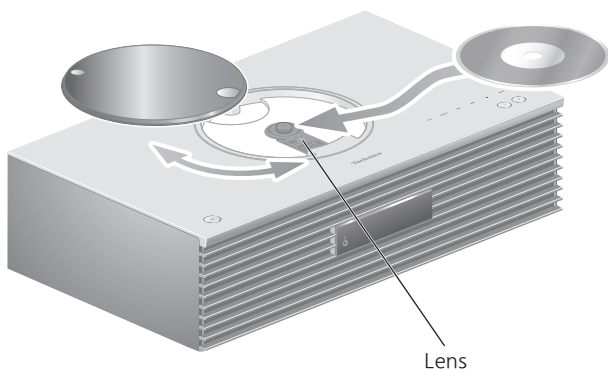
Playing back content stored on the DLNA server by controlling it from a DMC	56
Playing back Internet Radio (vTuner).....	57
Operations during playback	58
Adding a station to favorite list "Add Favourites"	58
Calling up the favorite list "Call Favourites"	59
Deleting the favorite station "Delete Favourites"	59
Operations using the dedicated app "Technics Music App"	59
Creating the Internet Radio station list with PC.....	60
Using AirPlay	61
Operations during playback	62
Repeat playback "Repeat"	62
Random repeat playback "Shuffle"	63
Playing back music using Spotify Connect.....	64
Operations during playback	65
Repeat playback "Repeat"	65
Random repeat playback "Shuffle"	65
Using TIDAL.....	66

 [Table of contents ...](#) 04

Playing back CDs

Insert the CD for music playback.

- Refer to "Notes on CDs" (⇒ 94) for the discs this unit can play back.



1 Press [⏻] to turn this unit on.

2 Press [CD].

3 Open the top cover with a sliding motion and then insert the CD.

- The top cover can slide to the both sides.
- Place the CD with its label facing up, and push the center of the CD until a clicking sound is heard.

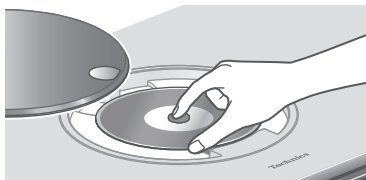
4 Close the top cover with a sliding motion.

- This unit cannot play back the CD while the top cover is open.

5 Press [▶/⏸].

■ To eject the CD

- ① Open the top cover with a sliding motion.
- ② Eject the CD.



- Be careful not to hit the CD with the top cover.
- Eject the CD after the CD has stopped turning.

Note

- Be careful not to get your finger caught in the top cover when opening/closing it.
- Do not apply too much force to the top cover when sliding it. Doing so may cause malfunction.
- Do not leave the top cover open for a prolonged period. Doing so will cause the lens to become dirty.
- Be careful not to touch the lens with your fingers.
- The lens lights when the following operations are performed with no CD inserted. This is not a malfunction.
 - When turning the power on
 - When selecting "CD" as the input source
 - When opening and closing the top cover

Operations during playback

Stop	■
Pause	▶/ • Press again to resume.
Skip	◀◀ ▶▶
Search	Press and hold [◀◀] or [▶▶].
View available information	[INFO] • Press repeatedly to switch the information.

Repeat playback

"Repeat"

- 1 Press [MENU].
- 2 Press [▲], [▼] repeatedly to select "Repeat" and then press [OK].
- 3 Press [▲], [▼] to select an item and then press [OK].

1-Track:

Repeatedly plays only the selected track. ("1↻" is displayed.)

All:

All tracks are repeated. ("↻" is displayed.)

- Setting contents are stored even when the input source is switched to "USB" (⇒ 46) or "DMP" (⇒ 55).

Random repeat playback

"Random"

- 1 Press [MENU].
- 2 Press [▲], [▼] repeatedly to select "Random" and then press [OK].
- 3 Press [▲], [▼] to select "On" and then press [OK].

- All tracks are repeated randomly. ("RND" and "↻" are displayed.)
- Setting contents are stored even when the input source is switched to "USB" (⇒ 46) or "DMP" (⇒ 55).
- During random playback, you cannot skip to the previous track.

Program playback

"PGM"

- 1 Press [PGM] in the stop mode.
 - "Program Mode" screen is displayed.
- 2 Press the numeric buttons to select tracks.
 - Repeat this step to make further selections.
- 3 Press [▶/II] to start playback.

Stop	Press [■]. • Programmed contents are stored.
Check the programmed order	Press [◀] or [▶] in the stop mode.
Add tracks	Do step 2 in the stop mode.
Clear the last track	Press [CLEAR] in the stop mode. • You cannot select and clear a desired programmed track.

- Press [PGM] in the stop mode to cancel the program mode, and the program memory will be stored.
- To cancel the program mode (The program memory will be cleared.)
 - ① Press [■] in the stop mode.
 - ② Press [▲], [▼] to select “Yes” and then press [OK].

Note

- The program memory is cleared when replacing the CD.
- The program mode is cancelled when the random repeat playback is set.

Playing back CD more natural-sounding audio “RE-MASTER”

Re-mastering expands the playback band and achieves a higher bit depth to reproduce natural and expansive sounds close to original music sources.

- 1 Press [MENU].**
 - 2 Press [▲], [▼] repeatedly to select “RE-MASTER” and then press [OK].**
 - 3 Press [▲], [▼] to select “On” and then press [OK].**
- The factory default is “Off”.

Listening to FM/AM Radio

Make sure that the antenna is connected.
(⇒ 23)

Frequency step setting

Select the tuning frequency step according to your country or region.

- 1 Press **[RADIO]** repeatedly to select **"FM"**.
- 2 Press **[MENU]**.
- 3 Press **[▲]**, **[▼]** repeatedly to select **"Frequency Step"** and then press **[OK]**.
- 4 Press **[▲]**, **[▼]** to select **"200kHz"** (87.9 MHz to 107.9 MHz) or **"100kHz"** (87.5 MHz to 108.0 MHz) and then press **[OK]**.

- The factory default is "200kHz".

Storing FM/AM stations

You can preset up to 30 channels for FM and 15 channels for AM.

- A station previously stored is overwritten when another station is selected for the same channel by presetting.

- 1 Press **[RADIO]** repeatedly to select **"FM"** or **"AM"**.
- 2 Press **[MENU]**.
- 3 Press **[▲]**, **[▼]** repeatedly to select **"Auto Preset"** and then press **[OK]**.
- 4 Press **[▲]**, **[▼]** to select an item and then press **[OK]**.

Lowest:

To begin the auto preset with the lowest frequency (FM: 87.9/87.5 MHz, AM: 520 kHz).

Current:

To begin the auto preset with the current frequency.

- The tuner starts to preset all the stations it can receive into the channels in ascending order.
- The factory default is "Lowest".

Listening to a preset FM/AM channel

- 1 Press [MENU].
- 2 Press [▲], [▼] repeatedly to select "Tuning Mode" and then press [OK].
- 3 Press [▲], [▼] to select "Preset" and then press [OK].
- 4 Press [◀◀], [▶▶] or numeric buttons to select the channel.

Manual tuning and presetting

- 1 Press [MENU].
- 2 Press [▲], [▼] repeatedly to select "Tuning Mode" and then press [OK].
- 3 Press [▲], [▼] to select "Manual" and then press [OK].
- 4 Press [◀◀], [▶▶] to tune to the required station.

To start automatic tuning, press and hold [◀◀] or [▶▶] until the frequency starts scrolling. Tuning stops when a station is found.

■ To preset the channel

- ① While listening to the radio broadcast, press [PGM].
- ② Press [◀◀] or [▶▶] to select the channel and then press [PGM].

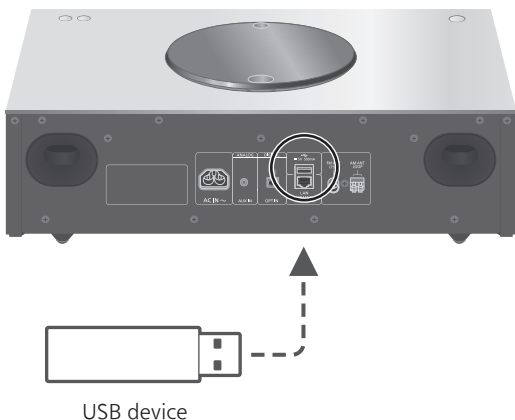
For reducing noisy sound

- 1 While receiving FM broadcasts, press [MENU].
 - 2 Press [▲], [▼] repeatedly to select "FM Mode" and then press [OK].
 - 3 Press [▲], [▼] to select "Mono" and then press [OK].
- Select "Auto(Stereo)" in step 3 to return to stereo broadcasts.
 - "Mono" is cancelled if the frequency is changed.

Using USB device

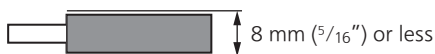
You can connect a USB device to the unit and play back music stored on the USB device.

- Refer to “USB” (⇒ 95) for information about the USB device this unit can play back.



1 Connect a USB device to the unit.

- USB device with a thickness of 8 mm ($\frac{5}{16}$ ") or less can be connected.



2 Press [**>SELECT<**] repeatedly to select “USB”.

- The folder/content selection screen will be displayed.

3 Press [**▲**], [**▼**] to select an item and then press [**OK**].

- Repeat this step to make further selections.
- Press [**RETURN**] to return to the previous folder.

Operations during playback

Stop	■
Pause	▶/ • Press again to resume.
Skip	◀◀ ▶▶
Search	Press and hold [◀◀] or [▶▶].

- This operation may not be available for some formats.

Repeat playback

“Repeat”

- 1 Press [MENU].
- 2 Press [▲], [▼] repeatedly to select “Repeat” and then press [OK].
- 3 Press [▲], [▼] to select an item and then press [OK].

1-Track:

Repeatedly plays only the selected track. (“1↻” is displayed.)

All:

All tracks in the folder are repeated. (“↻” is displayed.)

- Setting contents are stored even when the input source is switched to “CD” (⇒ 41) or “DMP” (⇒ 55).

Random repeat playback

“Random”

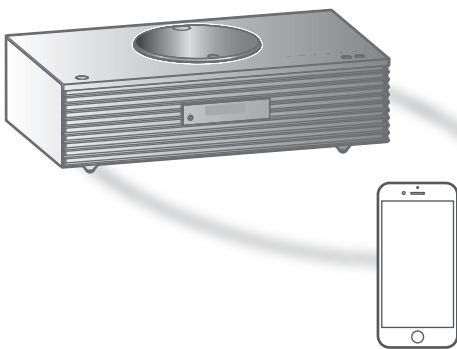
- 1 Press [MENU].
- 2 Press [▲], [▼] repeatedly to select “Random” and then press [OK].
- 3 Press [▲], [▼] to select “On” and then press [OK].

- All tracks in the folder are repeated randomly. (“RND” and “↻” are displayed.)
- During random playback, you cannot skip to the previous track.
- During random playback, tracks may be played more than once.
- Setting contents are stored even when the input source is switched to “CD” (⇒ 41) or “DMP” (⇒ 55).

Using Bluetooth®

You can listen to the sound from the Bluetooth® audio device from this unit wirelessly.

- Refer to the operating instructions of the Bluetooth® device for details.



Bluetooth® device

■ Pairing a Bluetooth® device

- Turn on the Bluetooth® feature of the device and place the device near this unit.
- If a Bluetooth® device is already connected, disconnect it. (⇒ 49)

1 Press [**Bluetooth**-PAIRING].

- When “Pairing” is indicated on the display, proceed to step 5.

2 Press [MENU].

3 Press [▲], [▼] repeatedly to select “Pairing” and then press [OK].

4 Press [▲], [▼] to select “Yes” and then press [OK].

- “Pairing” is displayed, and this unit waits for registering.

5 Select “SC-C70” from the Bluetooth® device’s menu.

- The name of the connected device is indicated on the display.
- The MAC address “*****” (“*****” stands for a character that is unique to each set.) may be displayed before “SC-C70” is displayed.

Note

- You can also enter pairing mode by pressing and holding [Ⓜ-PAIRING] when the input source is “Bluetooth”.
- If prompted for the passkey, input “0000”.
- You can register up to 8 devices with this unit. If a 9th device is paired, the device that has not been used the longest may be replaced.

■ Listening to music stored on a Bluetooth® device

1 Press [Ⓜ-PAIRING].

- “Ready” or “Pairing” is indicated on the display.

2 Select “SC-C70” from the Bluetooth® device’s menu.

- The name of the connected device is indicated on the display.

3 Start playback on the Bluetooth® device.

Note

- This unit can only be connected to one device at a time.
- When “Bluetooth” is selected as the input source, this unit will automatically try and connect to the last connected Bluetooth® device. (“Linking” is displayed during this process.)

Bluetooth® transmission mode

1 Press [Ⓜ-PAIRING].

- If a Bluetooth® device is already connected, disconnect it.

2 Press [MENU].

3 Press [▲], [▼] repeatedly to select “Link Mode” and then press [OK].

4 Press [▲], [▼] to select the mode and then press [OK].

Mode1:

Emphasis on connectivity

Mode2:

Emphasis on sound quality (default)

Note

- Select “Mode1” if the sound is interrupted.

Operations during playback

Stop	■
Pause	▶/ • Press again to resume.
Skip	⏮ ⏭
Search	Press and hold [⏮] or [⏭].

Note

- To use this unit's remote control/touch switches with a Bluetooth® device, the Bluetooth® device must support AVRCP (Audio Video Remote Control Profile). Depending on the status of the device, some controls may not work.
- When enjoying video contents with this function, the video and audio output may not be synchronized.

Disconnecting a Bluetooth® device

- 1 Press [MENU].
- 2 Press [▲], [▼] repeatedly to select "Disconnect?" and then press [OK].
- 3 Press [▲], [▼] to select "Yes" and then press [OK].

Note

- The Bluetooth® device will be disconnected if a different audio source is selected.

Using digital audio output device

You can connect a DVD player, etc. with optical digital audio cable (not supplied) and play back music.



Optical digital audio cable
(not supplied)



DVD player, etc.

- 1 Disconnect the AC power supply cord.
- 2 Connect this unit and a DVD player etc.
- 3 Connect the AC power supply cord to this unit. (⇒ 25)
- 4 Press [⏻] to turn this unit on.
- 5 Press [>SELECT<] repeatedly to select "OPT".
- 6 Start playback on the connected device.

Note

- The digital audio input terminal of this unit can only detect the following linear PCM signals. For details, refer to the operating instructions of the connected device.
 - Sampling frequency:
32/44.1/48/88.2/96 kHz
 - Number of quantization bits:
16/24 bit

Using the auxiliary input

You can connect a portable audio player, etc. with an analog audio cable (not supplied) and play back music.



Analog audio cable
($\phi 3.5$ mm ($1/8$ "))
(not supplied)



Portable audio player, etc.

- 1 Disconnect the AC power supply cord.
- 2 Connect this unit and a portable audio player, etc.
- 3 Connect the AC power supply cord to this unit. (\Rightarrow 25)
- 4 Press [⏻] to turn this unit on.
- 5 Press [>SELECT<] repeatedly to select "AUX".
- 6 Start playback on the connected device.

Adjust the volume level “Input Level”

If the volume of the auxiliary input is high, setting to “Low” may improve the volume level.

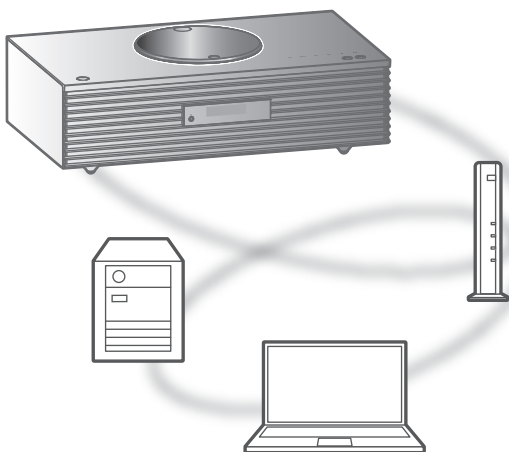
- 1 Press [MENU].
- 2 Press [▲], [▼] repeatedly to select “Input Level” and then press [OK].
- 3 Press [▲], [▼] repeatedly to select “Low” and then press [OK].

Note

- The factory default is “High”.

Playing back music files on the DLNA server

You can share music files stored in the DLNA Certified media server (PC, Network Attached Storage, etc.) connected to your home network, and enjoy the contents with this unit.



■ Preparation

- Complete the network settings. (⇒ 26)
- Connect the device to be used to the network of this unit.
- To use Windows Media® Player
 - Add the contents and folder to the libraries of the Windows Media® Player 11 or 12, or a smartphone, etc.
 - Playlist of Windows Media® Player can playback only the contents that are stored in the libraries.
 - To use Windows Media® Player for streaming, you need to configure it in advance.

Playing back content stored on the DLNA server by controlling it from this unit

1 Press [>SELECT<] repeatedly to select "DMP".

- The server selection screen will be displayed.

2 Press [▲], [▼] to select a DLNA server on the network, and then press [OK].

- The folder/content selection screen will be displayed. Repeat this step to make further selections.
- Folders/content may be displayed in different order from the order on the server, depending on its specifications.

3 Press [▲], [▼] to select an item and then press [OK].

Note

- The connected server and its contents may not be displayed properly depending on its condition. (e.g. soon after adding the contents to the server, etc.)

Please try again later. For details, refer to the operating instructions of the device.

Operations during playback

Stop	■
Pause	▶/ • Press again to resume.
Skip	⏮ ⏭
Search	Press and hold [⏮] or [⏭].
View available information	[INFO] • Press repeatedly to switch the information.

Repeat playback

“Repeat”

- 1 Press [MENU].
- 2 Press [▲], [▼] repeatedly to select “Repeat” and then press [OK].
- 3 Press [▲], [▼] to select an item and then press [OK].

1-Track:

Repeatedly plays only the selected track. (“1↻” is displayed.)

All:

All tracks are repeated. (“↻” is displayed.)

- Setting contents are stored even when the input source is switched to “CD” (⇒ 41) or “USB” (⇒ 46).

Random repeat playback

“Random”

- 1 Press [MENU].
- 2 Press [▲], [▼] repeatedly to select “Random” and then press [OK].
- 3 Press [▲], [▼] to select “On” and then press [OK].

- All tracks in the folder are repeated randomly. (“RND” and “↻” are displayed.)
- During random playback, you cannot skip to the previous track.
- During random playback, tracks may be played more than once.
- Setting is available even when the input source is switched to “CD” (⇒ 41) or “USB” (⇒ 46).

Operations using the dedicated app

“Technics Music App”

If you install the dedicated app “Technics Music App” (free of charge) on your tablet/smartphone, you can control this unit using a wide variety of functions.

For details, visit:

www.technics.com/support/

Playing back content stored on the DLNA server by controlling it from a DMC

By controlling a DMC (Digital Media Controller) compatible device, you can play back music stored on the DLNA server on this unit (DMR—Digital Media Renderer).

1 Press [⏻] to turn this unit on.

2 Operate the DMC compatible device and connect to this unit.

- The device name of this unit will be displayed as “Technics SC-C70 *****”^{*1, 2}.
- For details on how to use DMC compatible devices, refer to the operating instructions of the devices or the software.

Note

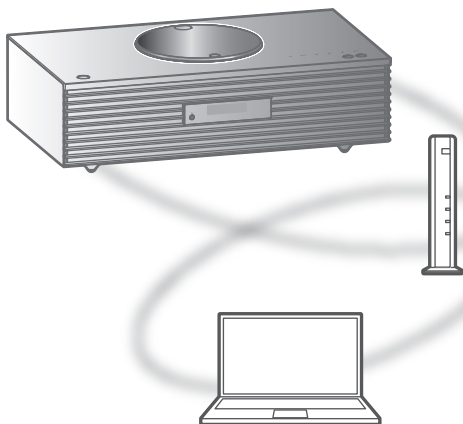
- When you operate DMC, playback of other audio sources will stop and DLNA output will have priority.
- Depending on the contents and the connected equipment, operations or playback may not be possible.
- This unit does not guarantee connection with all DMC applications. Use the dedicated app “Technics Music App”.

*1: “*****” stands for a digit that is unique to each set.

*2: The device name can be changed from “This unit’s name on the network”. (⇒ 35)

Playing back Internet Radio (vTuner)

Internet Radio is an audio broadcasting service transmitted via the Internet. vTuner is a free online content service to listen to the many Internet Radio stations over the world.



■ Preparation

- Complete the network settings. (⇒ 26)
 - Make sure that the network is connected to the Internet.

1 Press [**>SELECT<**] repeatedly to select "Internet Radio".

- When "Internet Radio" is selected as the source, this unit will automatically try and connect to the last selected Internet Radio station.

2 Press [▲], [▼] to select a station and then press [OK].

- The buffering status is displayed as □ %. (“□” stands for a number.)
- Repeat this step to make further selections according to the genre, region, etc.
- Press [RETURN] to return to the previous screen.
- The Internet Radio stations, genre, region, etc. on this unit are edited and managed by vTuner.
- The podcasts on the list of vTuner can also be played back.
- The station that does not broadcast cannot be played back. (It will be skipped or return to the list.)

Note

- The Internet Radio service may be suspended or be otherwise unavailable without notice.
- Internet Radio may not be played back properly depending on the network condition.

Operations during playback

Stop	■ (Returns to the list.)
Pause	▶/ • Press again to resume. (While playing back the podcasts)
Skip	◀◀ ▶▶
View available information	[INFO] • Press repeatedly to switch the information.

Adding a station to favorite list “Add Favourites”

1 Press [▲], [▼] to select a station to add and then press [OK].

2 Press [MENU].

3 Press [▲], [▼] repeatedly to select “Add Favourites” and then press [OK].

- “Added” is displayed after registering.
- You can register up to 50 stations with this unit. If a 51st station is added, “Favourites Full” is displayed. Delete the stations from the favorite list. (⇒ 59)
- You cannot add the already registered station. (“Already Exists” is displayed.)

Calling up the favorite list

“Call Favourites”

- 1 Press [MENU].
 - 2 Press [▲], [▼] repeatedly to select “Call Favourites” and then press [OK].
 - 3 Press [▲], [▼] to select “On” and then press [OK].
- “★” is displayed.
 - If no station is registered to the favorite list, “Empty” is displayed. Add a station to the list.

Deleting the favorite station

“Delete Favourites”

- 1 Press [MENU].
 - 2 Press [▲], [▼] repeatedly to select “Delete Favourites” and then press [OK].
 - 3 Press [▲], [▼] to select a station to delete from the favorite list.
 - 4 Press [▲], [▼] to select “Yes” and then press [OK].
- “Deleted” is displayed after deleting.
 - “Empty” is displayed if no station is registered to the favorite list.

Operations using the dedicated app

“Technics Music App”

If you install the dedicated app “Technics Music App” (free of charge) on your tablet/smartphone, you can control this unit and edit the favorite list with the vTuner function.

Download and install the app from the website below.

www.technics.com/support/

Creating the Internet Radio station list with PC

- 1 Press [**>SELECT<**] repeatedly to select "Internet Radio".
- 2 Check the MAC address of this unit.
(⇒ 35)
- 3 Use your PC to access the vTuner website.
www.technics.com/radio/
 - You can select the language on the website.
- 4 Follow the on-screen instructions and enter the necessary information for registration.
- 5 Search by category (genre, region, language, etc.) or edit the list.

■ Playback of the stations listed by your PC

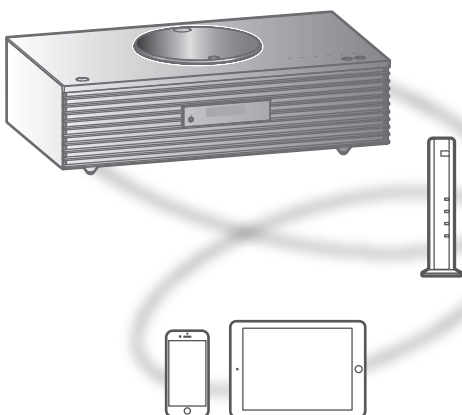
You can play back the stations listed by your PC separately from the favorite list of this unit.

- 1 Press [**>SELECT<**] repeatedly to select "Internet Radio".
 - 2 Press [**▲**], [**▼**] repeatedly to select "technics.com/radio/" and then press [OK].
 - 3 Press [**▲**], [**▼**] to select a station and then press [OK].
- Before disposing of or transferring this unit, delete the personal information on the website.

Using AirPlay

You can play back music stored on iOS device, etc. using AirPlay.

- AirPlay works with iPhone, iPad, and iPod touch with iOS 4.3.3 or later, Mac with OS X Mountain Lion or later, and PC with iTunes 10.2.2 or later.



■ Preparation

- Complete the network settings. (⇒ 26)
- Connect the iOS device or PC to the same network as this unit.

1 (iOS device)

Start the “Music” (or iPod) app.

(PC)

Start “iTunes”.

2 Select “Technics SC-C70 *****”^{*1, 2} from the AirPlay icon (e.g. .

3 Start play.

- Check the volume settings before starting the playback.
- When AirPlay is used for the first time, the volume may be output at the maximum setting.
- The playback will start with a slight delay.

*1: “*****” stands for a number that is unique to each set.

*2: The device name can be changed from “This unit’s name on the network”. (⇒ 35)

Operations during playback

Stop	■
Pause	▶/ • Press again to resume.
Skip	⏮ ⏭
View available information	[INFO] • Press repeatedly to switch the information.

- You can also operate on the connected iOS device/PC.

Note

- Volume changes on the iOS device or iTunes will apply to this unit. (Refer to the iTunes Help for the required settings in iTunes.)
- Playback of other audio sources will stop and AirPlay output will have priority.
- With some iOS and iTunes versions, it may not be possible to restart the AirPlay playback if the selector is changed or the unit is turned to standby mode, during the AirPlay playback. In this case, select a different device from the AirPlay icon of the Music app or iTunes and then re-select this unit as the output speakers.
- AirPlay will not work when playing back videos on iTunes.

Repeat playback

“Repeat”

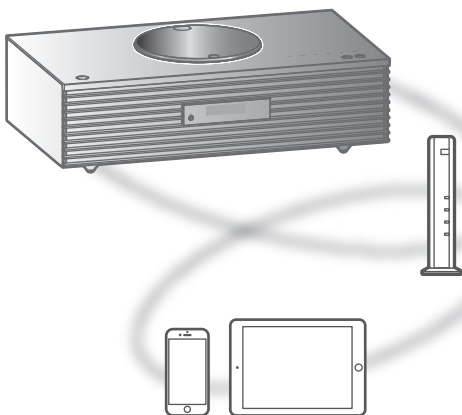
- 1 Press [MENU].**
 - 2 Press [▲], [▼] repeatedly to select “Repeat” and then press [OK].**
 - 3 Press [▲], [▼] to set, and press [OK].**
- Confirm the setting on the connected device.
 - You can also set on the connected iOS device/PC.

Random repeat playback "Shuffle"

- 1 Press [MENU].**
- 2 Press [▲], [▼] repeatedly to select "Shuffle" and then press [OK].**
- 3 Press [▲], [▼] to set, and press [OK].**
 - Confirm the setting on the connected device.
 - You can also set on the connected iOS device/PC.


Playing back music using Spotify Connect

This unit is compatible with Spotify Connect for the online music service (Spotify). You can play music from the music streaming service of Spotify by operating your smartphone, tablet, etc.



■ Preparation


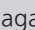


- You will need Spotify Premium. For details, visit the following website.
www.spotify.com/connect/
- Complete the network settings. (⇒ 26)
 - Make sure that the network is connected to the Internet.
- Connect the device to be used to the network of this unit.

- 1 Start the Spotify app on your device, and play back music.**
- 2 Select the currently playing title on the bottom of the screen.**
 - The playback screen is displayed.
- 3 Select “ DEVICE AVAILABLE”.**
- 4 Select this unit as the connecting device.**

Note

- The device name of this unit will be displayed as "Technics SC-C70 *****"*1, 2.
 - Registration/subscription is required.
 - Spotify Premium requires a usage charge.
 - Services, icons, and specifications are subject to change.
- *1: "*****" stands for a number that is unique to each set.
- *2: The device name can be changed from "This unit's name on the network". (⇒ 35)

Operations during playback

Pause	 or  <ul style="list-style-type: none">• Press again to resume.
Skip	 
View available information	[INFO] <ul style="list-style-type: none">• Press repeatedly to switch the information.

Repeat playback

"Repeat"

- 1 Press [MENU].
 - 2 Press [▲], [▼] repeatedly to select "Repeat" and then press [OK].
 - 3 Press [▲], [▼] to set, and press [OK].
- Confirm the setting on the screen of the Spotify app.
 - You can also set on the Spotify app.

Random repeat playback

"Shuffle"

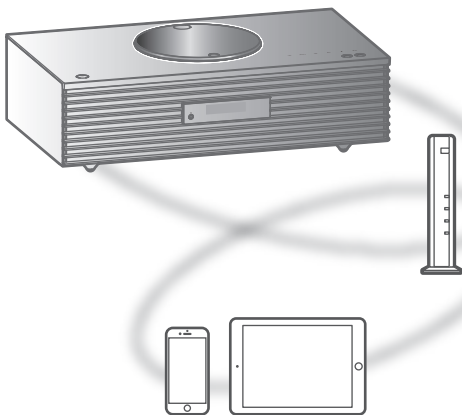
- 1 Press [MENU].
 - 2 Press [▲], [▼] repeatedly to select "Shuffle" and then press [OK].
 - 3 Press [▲], [▼] to set, and press [OK].
- Confirm the setting on the screen of the Spotify app.
 - You can also set on the Spotify app.

Using TIDAL

You can play music from the music streaming service, TIDAL on this unit by operating the dedicated application “Technics Music App” (free of charge) on your smartphone, tablet, etc.

For details of TIDAL, visit the following website.

www.tidal.com



■ Preparation

- Install the latest “Technics Music App” on your device (smartphone, tablet, etc.). For details, visit: www.technics.com/support/
- Connect this unit and your device on which “Technics Music App” has been installed to the network connected to the internet. For details, refer to their operating instructions.

- 1 Start “Technics Music App” on your device (smartphone, tablet, etc.).
- 2 Select “Technics Player” > “TIDAL” as the music source.

3 Log into TIDAL and start playback.

(If you do not have an account) Select “Sign Up”, and register the account.

- Before using TIDAL, the account registration is required (paid service).
- For operation details, refer to the operating instructions of “Technics Music App”. For details, visit:
www.technics.com/support/

Note

- If this unit is playing other input sources, the input is switched, and the playback of TIDAL is prioritized.
- Depending on the country or region, playback may not be available.

Settings

Using the favorite function	69
Registering your favorite station to [FAV]...	69
Sound adjustment	70
Adjusting BASS/MID/TREBLE “Tone Control”	70
Adjusting the sound quality according to the installation location “Space Tune” ...	70
Clock and Timer	72
Setting the clock “CLOCK”	72
Clock display in standby mode “Standby Display”	73
Switching clock indication “CLOCK Indication”	73
Sleep timer “SLEEP”	73
Play timer	73
Other settings	76
Language setting “Language”	76
Auto off function “AUTO OFF”	76
Illumination on the top cover “ILLUMINATION”	77
Operation sound setting “Beep”	77
Network settings “Network”	77
Network standby “Network Standby”	78
Changing the character encoding “E Asian Character”	78
Touch switch setting “Touch Switch”	78
Checking the model name “Model No.”	78
Checking the firmware version “F/W Version”	78
Firmware updates “F/W Update”	79

🔄 Table of contents ... 04

Using the favorite function

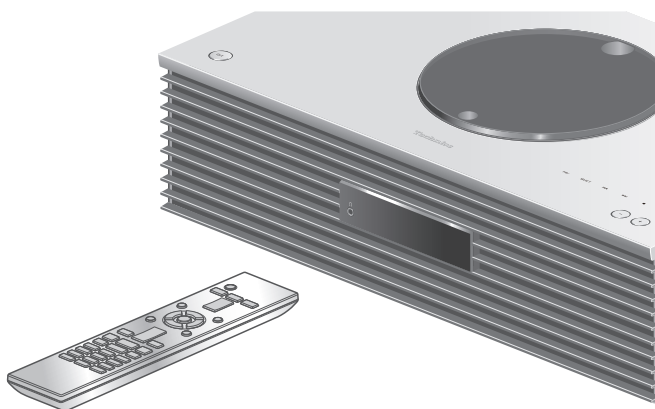
Registering your favorite station to [FAV]

You can register your favorite station or playlist (FM/AM/Internet Radio/Spotify) and call up the station easily by pressing [FAV]. (You can also register it by pressing [FAV] on the touch switch.)

- 1 Switch the input source (FM/AM/Internet Radio/Spotify).**
 - 2 Press and hold [FAV] while the favorite station or playlist is played back.**
 - The registration screen is displayed.
 - 3 Press [▲], [▼] to select the number (1 - 5) to register and then press [OK].**
 - “Memorised” is displayed when the registration is completed. (Confirm that the station broadcasts if “Failed” is displayed.)
 - A station previously stored is overwritten when another station is selected for the same number.
 - You can also select the number with the numeric buttons.
- To cancel this setting in the middle, press [RETURN].

Calling up the favorite station

- 1 Press [FAV].**
- 2 Press the registered number (1 - 5) and then press [OK].**
 - You can also call up the station by pressing [FAV] repeatedly. (Switches to the registered station.)
 - The input source automatically switches to the registered station.



- 1 Press [SETUP].
- 2 Press [▲], [▼] repeatedly to select the menu and then press [OK].
- 3 Press [▲], [▼], [◀], [▶] to set, and press [OK].

Adjusting BASS/MID/TREBLE "Tone Control"

You can adjust the tone of this unit. Each tonal range (BASS/MID/TREBLE) can be adjusted.

- To enable this function, select "On (adjustment)".
- Each level can be adjusted between "- 10" and "+ 10".
- "TONE" is displayed after setting.

Adjusting the sound quality according to the installation location "Space Tune"

You can adjust the sound quality according to the installation location (near the wall or the corner of the room).

Free:

No objects (wall, etc.) around this unit

Wall:

There is a wall behind this unit.

Corner:

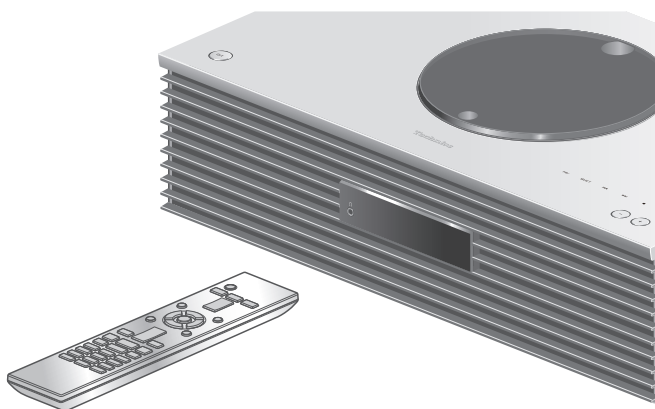
This unit is in the corner of the room.

Note

- Using the dedicated app “Technics Music App” (free of charge) on your iOS device, you can measure the location between your iOS device and this unit. Set “Space Tune” to “Measured” after measuring with iOS device.

For details, visit:

www.technics.com/support/



- 1 Press [SETUP].
- 2 Press [▲], [▼] repeatedly to select the menu and then press [OK].
- 3 Press [▲], [▼], [◀], [▶] to set, and press [OK].

Setting the clock "CLOCK"

The time is displayed for 20 seconds when selecting "CLOCK". (Press [OK] to access the clock setting screen.) Press [▲], [▼] to set the time on the clock setting screen.

- To set the clock with the numeric buttons e.g.) 10:05
[1] > [0] > [0] > [5]
- Pressing [◀], [▶] switches the clock type AM or PM when the clock indication is 12-hour clock.

Note

- The clock is reset if a power failure occurs or the AC power supply cord is removed.
- Set the clock regularly to maintain accuracy.
- Using the dedicated app "Technics Music App" (free of charge) on your tablet/smartphone, you can update the time information of this unit. For details, visit:
www.technics.com/support/

Clock display in standby mode "Standby Display"

You can set the clock display in standby mode.

On (CLOCK):

Displays the clock in standby mode.

- The clock indicator moves every certain period of time.
- When the display is turned off by pressing [DIMMER], the clock is not displayed. (The clock is displayed for several seconds when pressing [INFO].)

Off:

No display (The clock is displayed for several seconds when pressing [INFO].)

- The factory default is "Off".

Switching clock indication "CLOCK Indication"

You can select the clock indication type.

24-hour:

24-hour clock

12-hour:

12-hour clock

- The factory default is "12-hour".

Sleep timer "SLEEP"

The sleep timer can turn the unit to standby mode after a set time. (30 minutes/60 minutes/90 minutes/120 minutes/Off)

- "SLEEP" is displayed after setting.

Play timer

You can set the timer so this unit turns on at a set time every day.

■ Preparation

- Set the clock. (⇒ 72)
- Prepare the selected music source (CD, Radio, USB device, etc.).
- Tune the station/channel (for radio).

Setting the timer "TIMER Adjustment"

The current settings are displayed when selecting "TIMER Adjustment" and pressing [OK]. Press [OK] again to access the timer setting screen, and the screen starts blinking.

- ① Press [▲], [▼] or numeric buttons to set the starting time and then press [OK].
- ② Press [▲], [▼] or numeric buttons to set the finishing time and then press [OK].
- ③ Press [▲], [▼] to select the music source and then press [OK].

■ To display the timer settings

After setting, you can confirm the setting time, music source, etc. by selecting "TIMER Adjustment" and pressing [OK].

- You can also confirm them in standby mode by pressing [INFO].

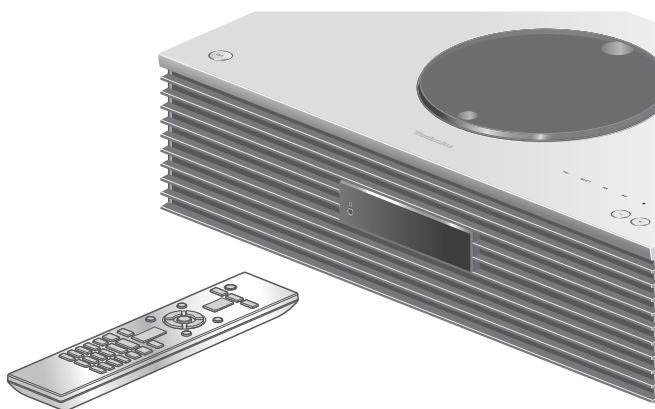
Turning the timer on "TIMER Setting"

- ① Set the desired volume.
- ② Press [▲], [▼] to select "On" and then press [OK] to store the volume.
 - The clock icon is displayed.
 - "Adjust CLOCK" is displayed when the clock is not set.
 - "Adjust TIMER" is displayed when the play timer is not set.
- ③ Turn the unit to standby mode.
 - The timer is enabled after turning this unit to standby mode.
 - At the set time, the music source starts to play at a low volume and the volume increases gradually to the preset level.
 - To turn the timer off, select "Off" in step 2 (above).

Note

- This unit can be used as normal even after the timer is set, however:
 - Turn the unit to standby mode before the timer start time.
 - Even if the audio source or the volume is changed, the timer will still use the audio source and volume that was set when the timer was turned on.
- You can set the repeat playback for "CD" or "USB". The favorite station registered by [FAV] can be also played back.
- To adjust the volume when the timer is turned on, set "TIMER Setting" from "Off" to "On" after selecting the volume.
- After starting the timer, this unit is turned off

automatically at the finishing time even when using this unit as normal.



- 1 Press [SETUP].
- 2 Press [▲], [▼] repeatedly to select the menu and then press [OK].
- 3 Press [▲], [▼], [◀], [▶] to set, and press [OK].

Language setting "Language"

Select "English" or "Français" for the display.

- The factory default is "English".

Auto off function "AUTO OFF"

While the setting is set to "On", this unit automatically enters standby mode for saving energy, if no sound output without operation such as pressing buttons, etc. for approx. 20 minutes.

- When the input source is "FM" or "AM", this function does not work.
- The factory default is "Off".

Note

- The setting is stored even if the power is turned off and on.
- "AUTO OFF" is displayed 3 minutes before this unit is turned off.

Illumination on the top cover

"ILLUMINATION"

The top cover illuminates when this unit is turned on. (The light of top cover turns off when the top cover is opened.)

- The factory default is "Mode2". To disable this function, select "Off".

Mode1:

The top cover always illuminates.

Mode2:

The top cover illuminates only when a playable CD is inserted and the input source is "CD".

Operation sound setting

"Beep"

You can turn the beep sound on/off for the touch switch operation.

- The factory default is "On". To disable this function, select "Off".

Network settings

"Network"

Wi-Fi setting

"Wi-Fi"

The wireless LAN function can be enabled or disabled.

- The factory default is "Off".

Wi-Fi signal strength

"Signal Level"

To check the Wi-Fi signal strength where this system is located.

- The signal strength is shown as 3 (max) - 2 - 1. If the indicator shows "2" or "1", change the position or angle of your wireless router or this system, and see if the connection improves.
- If "0" is displayed, this system cannot establish a link with the wireless router.

Network standby “Network Standby”

This unit can turn on automatically from standby mode when this unit is selected as the Spotify/AirPlay/DLNA player.

- The factory default is “Auto”. To disable this function, select “Off”.

Auto:

Enables the network standby function when the network connection is available.

On:

Always enables the network standby function.

Note

- If this function is set to “On” or “Auto”, the standby power consumption will increase.

Changing the character encoding “E Asian Character”

You can change the character encoding of track names, artist names and other information when they are not displayed as they should be.

Type 1(日本):

Priority is given to Japanese. (default)

Type 2(简体字):

Priority is given to Chinese (Simplified).

Touch switch setting “Touch Switch”

Activate/deactivate the touch-switch controlling.

- The factory default is “On”.

Checking the model name “Model No.”

The model name is displayed.

Checking the firmware version “F/W Version”

The version of the installed firmware is displayed.

Firmware updates

“F/W Update”

Occasionally, Panasonic may release updated firmware for this unit that may add or improve the way a feature operates. These updates are available free of charge.

- For the update information, refer to the following website.

www.technics.com/support/firmware/

**Downloading takes approx. 15 minutes.
Do not disconnect the AC power supply cord or turn this unit to standby while updating.
Do not disconnect the USB flash memory while updating.**

- The progress is displayed as “Updating □ %” while updating. (“□” stands for a number.)

Note

- During the update process, no other operations can be performed.
- If there are no updates, “Firmware is Up To Date” is displayed. (No need to update it.)
- Updating the firmware may reset the settings of this unit.

Update via Internet

■ Preparation

- Connect this unit to the network. (⇒ 26)
 - Make sure that the network is connected to the Internet.

1 Press [SETUP].

2 Press [▲], [▼] repeatedly to select “F/W Update” and then press [OK].

3 Press [▲], [▼] to select “Internet” and then press [OK].

4 Press [▲], [▼] to select “Yes” and then press [OK].

- The progress is displayed as “Updating □ %” while updating. (“□” stands for a number.)
- When the update has finished successfully, “Success” is displayed.

5 Disconnect the AC power supply cord and reconnect it after 3 minutes.

Update via USB flash memory

■ Preparation

- Download the latest firmware on the USB flash memory. For details, refer to the following website.

www.technics.com/support/firmware/

- 1 Connect the USB flash memory with new firmware.**
- 2 Press [SETUP].**
- 3 Press [▲], [▼] repeatedly to select “F/W Update” and then press [OK].**
- 4 Press [▲], [▼] to select “USB” and then press [OK].**
- 5 Press [▲], [▼] to select “Yes” and then press [OK].**
 - The progress is displayed as “Updating □ %” while updating. (“□” stands for a number.)
 - When the update has finished successfully, “Success” is displayed.
- 6 Disconnect the AC power supply cord and USB flash memory, and reconnect it after 3 minutes.**

Note

- Downloading may take longer depending on the USB flash memory.

Others

Troubleshooting	82
Heat buildup of this unit.....	82
Do you have the latest firmware installed?	82
To restore all the settings to the factory defaults.....	83
General	83
Disc.....	85
Radio	85
USB.....	86
Bluetooth®	86
Network.....	87
vTuner/Spotify/TIDAL.....	89
Remote control	89
Touch switches.....	90
Messages.....	90
Playable media	94
Notes on CDs	94
USB.....	95
About Bluetooth®	96
Licenses	97
Specifications	99

[↶ Table of contents ...](#) 04

Troubleshooting

Before requesting service, make the following checks. If you are uncertain about some of the check points, or if the solutions indicated in the following guide do not resolve the issue, then consult your dealer for instructions.

Heat buildup of this unit

This unit becomes warm while in use.

- Be careful when touching the bottom of this unit because the bottom of this unit may be hot. For installation or unit care, disconnect the AC power supply cord, wait for at least 3 minutes.

Do you have the latest firmware installed?

Panasonic is constantly improving the unit's firmware to ensure that our customers are enjoying the latest technology. (⇒ 79)

To restore all the settings to the factory defaults

When the following situations occur, reset the memory:

- There is no response when buttons are pressed.
- You want to clear and reset the memory contents.

1 Press [SETUP].

2 Press [▲], [▼] repeatedly to select “Initialization” and then press [OK].

3 Press [▲], [▼] to select “Yes” and then press [OK].

- A confirmation screen appears. Select “Yes” in the following steps to restore all the settings to defaults.

4 Press [▲], [▼] to select “Yes” and then press [OK] again.

Note

- If the setup menu cannot be entered, disconnect the AC power supply cord and reconnect while pressing and holding [⏻/|] after approx. 3 minutes or later for restoring all the settings to the factory defaults. (“Initialized” is displayed.)

General

The unit does not work.

Operations are not done properly.

- One of the unit’s safety devices, etc. may have been activated.
 - ① Press [⏻/|] on the unit to switch the unit to standby.
 - If the unit does not switch to standby, press [⏻/|] on the unit for at least 5 seconds. The unit is forcibly switched to standby. Alternatively, disconnect the AC power supply cord, wait for at least 3 minutes, then reconnect it.
 - ② Press [⏻/|] on the unit to switch on. (It may take some time for this unit to be turned on.)
 - If the unit still cannot be operated, consult the dealer.
- The remote control may not work properly. (⇒ 89)
- The touch switch operation may be disabled. Check the setting. (⇒ 78)

A “humming” sound can be heard during playback.

- An AC power supply cord of another device or fluorescent light is near the cables. Turn off other appliances, or keep them away from the cables of this unit.
- A strong magnetic field near a TV or other device may adversely affect the audio quality. Keep this unit away from such a location.
- The speakers may output noise when a device nearby is emitting powerful radio waves, such as when a mobile phone is on a call.

No sound.

- Check the volume of this unit and the connected device.
- Check to see if the cable connections to the input and output terminals are incorrect. If this is the case, turn this unit to standby and reconnect the cables correctly.
- Check to see if the correct input source is selected.
- Insert the plugs of the cables to be connected all the way in.
- Playback of multi-channel content is not supported.
- The digital audio input terminal of this unit can only detect linear PCM signals. For details, refer to the operating instructions of the device.

Playback does not start.

- Depending on your environment or connected devices, it may take some time.
- Check to see if the format of the file is supported. For supported formats, refer to “File format”. (⇒ 103)

The unit turns to standby mode automatically.

- Is the auto off function turned on? (⇒ 76)
- This unit incorporates a protection circuit to prevent damage caused by heat buildup. When you use this unit at a high volume level for a long period of time, it may turn off automatically. Wait for this unit to cool down before turning on this unit again. (For approximately 3 minutes)

The settings are reset to the factory defaults.

- Updating the firmware may reset the settings.

Disc

Incorrect display or play does not start.

- Make sure that the disc is compatible with this unit. (⇒ 94)
- There is moisture on the lens. Wait for about an hour and then try again.
- Unfinalized CD-R and CD-RW cannot be played back.
- WMA/MP3 is not supported. Refer to “Notes on CDs” (⇒ 94) for information about the discs this unit can play back.

Playback takes time to start.

- It may take some time for the disc to load if there are a lot of tracks on it.

Radio

Reception is poor.

- Keep the antenna away from computers, televisions, other cables and cords.
- Use an outdoor antenna (⇒ 23).

Static or noisy reception is heard while listening to a radio broadcast.

- Confirm the antenna is properly connected. (⇒ 23)
- Adjust the position of the antenna.
- Keep a certain amount of distance between the antenna and AC power supply cord.
- Use an outdoor antenna if there are buildings or mountains nearby. (⇒ 23)
- Turn off the TV or other audio players or separate it from this unit.
- Keep this unit away from mobile phones if there is interference.

USB

The USB drive or its contents cannot be read.

- The USB drive format or its contents is/are not compatible with the unit. (⇒ 95)

No response when [▶/III] is pressed.

- Disconnect the USB device and then reconnect it. Alternatively, turn the unit to standby and on again.

Slow operation of the USB flash drive.

- Large file size or high memory USB flash drive takes longer time to read.
- It may take some time if there are a lot of files or folders on it.

Cannot display the information properly.

- Track names, etc. may not be displayed properly.

Bluetooth®

Pairing cannot be completed.

- Check the Bluetooth® device condition.

The device cannot be connected.

- The pairing of the device was unsuccessful or the registration has been replaced. Try re-pairing the device. (⇒ 47)
- This unit might be connected to a different device. Disconnect the other device and try re-pairing the device.

The device is connected, but audio cannot be heard through this unit.

- For some built-in Bluetooth® devices, you have to set the audio output to "SC-C70" manually. Read the operating instructions for the device for details.

The sound is interrupted.

- The device is out of the 10 m (33 ft) communication range. Bring the Bluetooth® device closer to this system.
- Remove any obstacle between this system and the device.
- Other devices that use the 2.4 GHz frequency band (wireless router, microwaves, cordless phones, etc.) are interfering. Bring the Bluetooth® device closer to this system and distance it from the other devices.
- Select "Mode1" for stable communication. (⇒ 48)

Network

Cannot connect to the network.

- Confirm the network connection and settings. (⇒ 26)
- If the network is set to be invisible, make the network visible while you set up the network for this unit or make a wired LAN connection.
- This system's Wi-Fi security supports WPA2™. Your wireless router must therefore be WPA2™ compatible. For details on the security supported by your router and how to change the settings, please refer to the operating instructions or contact your internet service provider.
- Make sure that the multicast function on the wireless router is enabled.
- Depending on the router, WPS button may not work. Try another connection method. (⇒ 29)
- This unit uses the 2.4 GHz frequency band only. Confirm that the frequency band of the wireless router is 2.4 GHz.
- The wireless LAN environment or radio interference in your area may cause connection problem. In this case, try another connection method. If the problem persists, make a wired LAN connection. (⇒ 27)
- While the AC power supply cord is disconnected, the LAN cable must be connected or disconnected.

Cannot select this system as the output speakers.

- Make sure that the devices are connected to the same network as this unit.
- Reconnect the devices to the network.
- Turn the wireless router off and then on.
- Turn this unit to standby and on, and then select this system as the output speakers again.

Playback does not start.

The sound is interrupted.

- If using the 2.4 GHz band on the wireless router, simultaneous use with other 2.4 GHz devices, such as microwaves, cordless telephones, etc., may result in connection interruptions. Increase the distance between this unit and these devices.
- Do not place this system inside a metal cabinet, for it might block the Wi-Fi signal.
- If the playback stops, check the playback status on the device.
- Place this system closer to the wireless router.
- Check the Wi-Fi signal strength using "Signal Level" and adjust location of this unit and the wireless router. (⇒ 77)
- If several wireless devices are simultaneously using the same wireless network as this unit, try turning off the other devices or reducing their wireless network usage.
- Reconnect the devices to the network.
- Turn the wireless router off and then on.
- With some iOS and iTunes versions, it may not be possible to restart the AirPlay playback if the selector is changed (e.g. "CD") or this unit is in standby mode, during the AirPlay playback. In this case, select a different device from the AirPlay icon of the Music App or iTunes and then re-select this system as the output speakers. (⇒ 61)
- If the above solutions do not solve the problem, make a wired LAN connection for all connected DLNA compatible devices which have LAN terminal (this unit, Network Attached Storage, DLNA server, etc.). (⇒ 27)

The DLNA server and its contents are not displayed.

- The connected DLNA server and its contents may not be displayed properly depending on its condition (e.g. soon after adding the contents to the server, etc.). Try again later. For details, refer to the operating instructions of the DLNA server.

Cannot find music files stored on the PC.

- When you play back music files over a network, those that are not registered to its network server are not displayed. For details, refer to the operating instructions for your server.

Cannot display the information properly.

- Track names, etc. may not be displayed properly.

vTuner/Spotify/TIDAL

Playback does not start.

The sound is interrupted.

- The station that does not broadcast cannot be played back. (It will be skipped or return to the list.)
- vTuner/Spotify/TIDAL may not be played back depending on the broadcasting method.
- Internet Radio may not be played back properly depending on the network condition.
- Depending on the internet connection environment, the sound may be interrupted or it may take some time to play back.
- Internet Radio is an audio broadcasting service transmitted via the Internet. Depending on the broadcaster or condition of the transmitting, the sound quality may vary.
- Service may not be available depending on the country or area.
- The services through Network Service are operated by their respective service providers, and service may be discontinued either temporarily or permanently without notice.
- Change TIDAL sound quality setting for "Settings" of "Technics Music App". The performance may be improved.

Cannot display the information properly.

- Station names, countries, regions, genres, track names, album names, etc. which are managed by vTuner/Spotify/TIDAL, may not be displayed properly depending on the broadcasting information.

Cannot find the broadcasting station.

Cannot play back the stations listed by your PC.

- The Internet Radio stations, genre, region, etc. on this unit are edited and managed by vTuner.
- The Internet Radio service may be suspended or be otherwise unavailable without notice.

Remote control

The remote control does not work properly.

- The batteries are depleted or inserted incorrectly. (⇒ 20)
- To avoid interference, please do not put any objects in front of signal sensor. (⇒ 14)
- If the remote control mode of the remote control differs from that of this unit, match the mode of the remote control to the mode of this unit. (⇒ 20)

Touch switches

The touch switches do not work.

The touch switch operations are not done properly.

- The touch switch operation may be disabled. Check the setting. (⇒ 78)
- If this unit detects an abnormality of the touch switches such as putting any objects on or applying too much force on the touch switch, the switches may not work temporarily.
 - ① Wait for at least 5 seconds, then press the touch switch again.
 - ② If the touch switch cannot be activated, turn this unit off and then on.

Messages



- The selected file cannot be played back.
- Select the playable file.
 - For supported formats, refer to “File format”. (⇒ 103)

Adjust CLOCK

- Set the clock before setting the timer. (⇒ 72)

Adjust TIMER

- Set the starting time and finishing time of the timer. (⇒ 74)

AUTO OFF

- The unit has been left unused for about 20 minutes and will shut down within a minute. Press any button to cancel it.

Checking Device

- The unit is checking the connected USB device. After this display has disappeared, start operating.

Connecting

- The unit is connecting to vTuner. Please wait for a while. If the display does not change, switch the input source, or turn the unit to standby and on again.

Connect to Network

- Connect this unit to the network and then wait for the start of the Firmware Update via Internet. (⇒ 79)

Connect USB Device

- Download the latest firmware on the USB flash memory and try again. (⇒ 80)

Download Fail

- The firmware download has failed. Press any button to exit. Please try again later.
- The server cannot be found. Press any button to exit. Make sure that the network is connected to the internet.

Empty

- The selected folder is empty. Move tracks into the folder and retry the operation.
- The server is not found on the network. Check to see if the server is connected to the same network as this unit, and retry the connection to this unit. (⇒ 26)
- No Internet Radio station is registered to the favorite list. Add a station to the list. (⇒ 58)

Error

- Incorrect operation is performed. Read the instructions and try again.

Fail

- Network connection is not complete. Try the setting again. (⇒ 26)

Firmware update is available

- The firmware (free of charge) for this unit is available.
 - ① Press [OK].
 - ② Press [▲], [▼] to select “Yes” and then press [OK].
 - The progress is displayed as “Updating □ %” while updating. (“□” stands for a number.)
 - Do not disconnect the AC power supply cord or turn this unit to standby while updating. (⇒ 79)
 - When the update has finished successfully, “Success” is displayed.
 - ③ Disconnect the AC power supply cord and reconnect it after 3 minutes.
- For the update information, refer to the following website.
www.technics.com/support/firmware/

“F□□” (“□” stands for a number.)

- An abnormality has occurred. (If this unit detects an abnormality, the protection circuit is activated, and the power may be turned off automatically.)
 - Is this unit placed in an extremely hot place?
 - Wait a few seconds and then turn the unit on again. (The protection circuit will be deactivated.)

If the problem persists, write down the displayed number, disconnect the AC power supply cord and consult your dealer.

Load Fail

- The firmware cannot be found on the USB flash memory.
- Download the latest firmware on the USB flash memory and try again. (⇒ 80)

No Device

- No USB device is connected.
- Connect the USB device to be played. (⇒ 45)

No Disc

- No CD is inserted.
- Insert the disc to be played (⇒ 39).

No Network Available

- This unit is not connected to the network.
- Check the network connection. (⇒ 26)

No Play

- The disc cannot be played back.
- Insert the disc to be played (⇒ 94).

Not Valid

- The function you have tried to use is not available with the current settings. Check the steps and settings.

PGM Full

- The number of programmed tracks is more than 24.

Please Wait

- This is displayed, for example, when this unit is turned to standby/on. (For up to approx. 1 minute and 30 seconds)

Reading

- The unit is checking the CD information. After this display has disappeared, start operating.

“Remote □” (“□” stands for a number.)

- The remote control and this unit are using different modes.
Change the mode on the remote control. (⇒ 20)

Remote Mode

- Basic playback control buttons on the touch switches/remote control are not available. (While playing back music stored on the DLNA server with this unit (DMR), etc.)
- Use the connected device for basic playback control.

Searching

- The unit is checking the DLNA server on the network.

Touch Switch Off

- The touch switch operation of this unit is disabled. (⇒ 78)

Unlocked

- “OPT” is selected, but no device is connected. Check the connection with the device. (⇒ 50)
- The sampling frequency components, etc. of the audio signals are not input correctly.
 - For supported formats, refer to “File format”. (⇒ 103)

USB Over Current Error

- USB device is drawing too much power.
Disconnect the USB device and turn the unit to standby and on again. (⇒ 45)

Wi-Fi Setup

- Select "On" and press [OK] to enter the network setting. (⇒ 28)
 - To exit the network setting, select "Off" and press [OK].


Hub Device Not Supported/Not Supported/ Device Not Recognized/ USB Device Not Supported

- The connected USB device is not supported.
- The format of the file on the USB device is not supported.
 - For supported formats, refer to "File format". (⇒ 103)

Playable media

Notes on CDs

■ Compatible CD

- A disc with the CD Logo. 
- This unit can play back discs that conform to the CD-DA format.
- The unit may not be able to play some discs due to the condition of the recording.
- Before playback, finalize the disc on the device it was recorded on.

■ CDs that cannot be used

- CDs with irregular shapes, such as heart shapes (Use of such CDs may cause malfunction.)

■ CDs that are not guaranteed to operate with this unit

- Discs with illegally copied data and those that do not conform to industry standards
- DualDiscs (Discs that record data such as music and images on both sides)

■ Disc formats supported by this unit

Commercially available CDs (CD-DA)	Support
CD-R/CD-RW(CD-DA)	Support
CD-R/CD-RW(MP3)	Not support
CD-R/CD-RW(WMA)	Not support

■ This unit's lens

Use the lens cleaner (not supplied) to clean the unit's lens.

■ Clean discs

DO



DO NOT



Wipe with a damp cloth and then wipe dry with a dry cloth.

■ Disc handling precautions

- Handle discs by the edges to avoid inadvertent scratches or fingerprints on the disc.
- Do not use disc cleaning sprays, benzine, thinner, static electricity prevention liquids or any other solvent.
- Do not attach labels or stickers to discs.
- Do not use the following discs:
 - Discs with exposed adhesive from removed stickers or labels (rented discs, etc.).
 - Discs that are badly warped or cracked.
 - Irregularly shaped discs, such as heart shapes.

USB

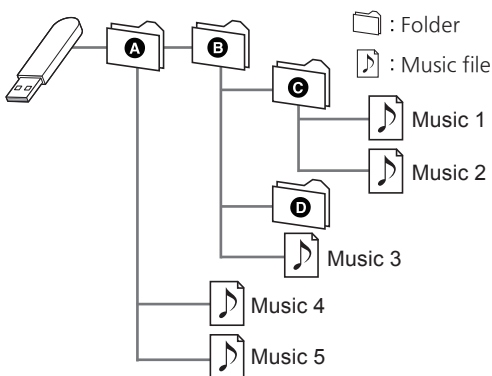
- This unit does not guarantee connection with all USB devices.
- FAT16 and FAT32 file systems are supported.
- This unit supports USB 2.0 high speed.
- Connect a USB device with a thickness of 8 mm ($\frac{5}{16}$ ") or less.
- USB devices may not be recognized by this unit when connected using the following:
 - a USB hub
 - a USB extension cable
- It is not possible to use USB card reader/writers.
- This unit cannot record music to a USB device.
- Not all files on the USB device may be read if there are some files not supported.
- About supported format, refer to "File format" (\Rightarrow 103)

■ Folder and file structure

The unit plays back only the music files in the selected folder. Select the folder containing the tracks that you want to play back.

- Nothing is played back if you select a folder without music files, such as the folder **D** in the diagram below. ("Empty" is displayed.)

Example:



About Bluetooth®

Panasonic bears no responsibility for data and/or information that is compromised during a wireless transmission.

Frequency band used

- This system uses the 2.4 GHz frequency band.

Certification of this device

- This system conforms to frequency restrictions and has received certification based on frequency laws. Thus, a wireless permit is not necessary.
- The actions below are punishable by law in some countries:
 - Taking apart or modifying the system.
 - Removing specification indications.

Restrictions of use

- Wireless transmission and/or usage with all Bluetooth® equipped devices is not guaranteed.
- All devices must conform to standards set by Bluetooth SIG, Inc.
- Depending on the specifications and settings of a device, it can fail to connect or some operations can be different.
- This system supports Bluetooth® security features. But depending on the operating environment and/or settings, this security is possibly not sufficient. Transmit data wirelessly to this system with caution.
- This system cannot transmit data to a Bluetooth® device.

Range of use

- Use this device at a maximum range of 10 m (33 ft). The range can decrease depending on the environment, obstacles or interference.

Interference from other devices

- This system may not function properly and troubles such as noise and sound jumps may arise due to radio wave interference if this system is located too close to other Bluetooth® devices or the devices that use the 2.4 GHz band.
- This system may not function properly if radio waves from a nearby broadcasting station, etc. is too strong.

Intended usage

- This system is for normal, general use only.
- Do not use this system near an equipment or in an environment that is sensitive to radio frequency interference (example: airports, hospitals, laboratories, etc.).

Licenses



The Wi-Fi CERTIFIED™ Logo is a certification mark of Wi-Fi Alliance®.

The Wi-Fi Protected Setup™ Logo is a certification mark of Wi-Fi Alliance®.

“Wi-Fi®” is a registered trademark of Wi-Fi Alliance®.

“Wi-Fi Protected Setup™”, “WPA™”, and “WPA2™” are trademarks of Wi-Fi Alliance®.



AirPlay, iPad, iPhone, and iPod touch are trademarks of Apple Inc., registered in the U.S. and other countries.

Android and Google Play are trademarks of Google Inc.

Windows is a trademark or a registered trademark of Microsoft Corporation in the United States and other countries.

Windows Media and the Windows logo are trademarks or registered trademarks of Microsoft Corporation in the United States and/or other countries. This product is protected by certain intellectual property rights of Microsoft Corporation and third parties. Use or distribution of such technology outside of this product is prohibited without a license from Microsoft or an authorized Microsoft subsidiary and third parties.

Mac and OS X are trademarks of Apple Inc., registered in the U.S. and other countries.

The Bluetooth® word mark and logos are registered trademarks owned by the Bluetooth SIG, Inc. and any use of such marks by Panasonic Corporation is under license. Other trademarks and trade names are those of their respective owners.

DLNA, the DLNA Logo and DLNA CERTIFIED are trademarks, service marks, or certification marks of the Digital Living Network Alliance.

DSD is a trademark of Sony Corporation.

FLAC Decoder

Copyright (C) 2000, 2001, 2002, 2003, 2004, 2005, 2006, 2007, 2008, 2009 Josh Coalson

Redistribution and use in source and binary forms, with or without modification, are permitted provided that the following conditions are met:

- Redistributions of source code must retain the above copyright notice, this list of conditions and the following disclaimer.
- Redistributions in binary form must reproduce the above copyright notice, this list of conditions and the following disclaimer in the documentation and/or other materials provided with the distribution.
- Neither the name of the Xiph.org Foundation nor the names of its contributors may be used to endorse or promote products derived from this software without specific prior written permission.

THIS SOFTWARE IS PROVIDED BY THE COPYRIGHT HOLDERS AND CONTRIBUTORS "AS IS" AND ANY EXPRESS OR IMPLIED WARRANTIES, INCLUDING, BUT NOT LIMITED TO, THE IMPLIED WARRANTIES OF MERCHANTABILITY AND FITNESS FOR A PARTICULAR PURPOSE ARE DISCLAIMED. IN NO EVENT SHALL THE FOUNDATION OR CONTRIBUTORS BE LIABLE FOR ANY DIRECT, INDIRECT, INCIDENTAL, SPECIAL, EXEMPLARY, OR CONSEQUENTIAL DAMAGES (INCLUDING, BUT NOT LIMITED TO, PROCUREMENT OF SUBSTITUTE GOODS OR SERVICES; LOSS OF USE, DATA, OR PROFITS; OR BUSINESS INTERRUPTION) HOWEVER CAUSED AND ON ANY THEORY OF LIABILITY, WHETHER IN CONTRACT, STRICT LIABILITY, OR TORT (INCLUDING NEGLIGENCE OR OTHERWISE) ARISING IN ANY WAY OUT OF THE USE OF THIS SOFTWARE, EVEN IF ADVISED OF THE POSSIBILITY OF SUCH DAMAGE.

The Spotify software is subject to third party licenses found here:

www.spotify.com/connect/third-party-licenses

Specifications

■ GENERAL

Power supply	AC 120 V, 60 Hz
Power consumption	45 W
Power consumption in standby mode (Network Standby Off & No clock display)	0.15 W
Power consumption in standby mode (Network Standby On & No clock display)	2.0 W*1
Dimensions (W×H×D)	450 mm (17 23/32") × 143 mm (5 5/8") × 280 mm (11 1/32")
Mass	Approx. 7.8 kg (17.2 lbs)
Operating temperature range	0 °C to 40 °C (+32 °F to +104 °F)
Operating humidity range	35 % to 80 % RH (no condensation)

*1: Wireless Network Standby (Wired LAN not connected & No clock display)

■ AMPLIFIER SECTION

Output power	Front speaker (L/R): 30 W + 30 W (1 kHz, T.H.D. 1.0 %, 6 Ω, 20 kHz LPF) Subwoofer: 40 W (70 Hz, T.H.D. 1.0 %, 4 Ω, 20 kHz LPF)
FTC output power	Front speaker (L/R): 20 W + 20 W (1 kHz, T.H.D. 1.0 %, 6 Ω, 20 kHz LPF) Subwoofer: 35 W (70 Hz, T.H.D. 1.0 %, 4 Ω, 20 kHz LPF)
Input sensitivity/ input impedance	AUX (LOW): 575 mVrms/16 kΩ AUX (HIGH): 290 mVrms/16 kΩ

■ TUNER SECTION

Frequency Modulation (FM)

Preset memory	30 stations
Frequency range	87.9 MHz to 107.9 MHz (200 kHz step) 87.5 MHz to 108.0 MHz (100 kHz step)
Antenna terminals	75 Ω (unbalanced)

Amplitude Modulation (AM)

Preset memory	15 stations
Frequency range	520 kHz to 1710 kHz (10 kHz step)

■ DISC SECTION

Playable Disc (8 cm (3") or 12 cm (5"))	CD, CD-R, CD-RW
Pickup	
Wavelength	790 nm (CD)
Laser power	CLASS 1
Format	CD-DA

■ SPEAKER SECTION

Front speaker (L/R)

Type	2 way, 2 speaker (Closed)
Woofer	8 cm (3 1/8") \times 1/ch, Cone type
Tweeter	2 cm (3/4") \times 1/ch, Dome type

Subwoofer

Type	1 way, 1 speaker (Bass reflex)
Subwoofer	12 cm (4 3/4") \times 1, Cone type

■ Bluetooth® SECTION

Bluetooth® system specification	Bluetooth® Ver.2.1+EDR
Wireless equipment classification	Class 2 (2.5 mW)
Supported profiles	A2DP, AVRCP
Supported codec	AAC, SBC
Frequency band	2.4 GHz band FH-SS
Operating distance	Approx. 10 m (33 ft) Line of sight*2

*2: Prospective communication distance

Measurement environment:

Temperature 25 °C (77 °F)/Height 1.0 m (3.3 ft)

Measure in "Mode1"

■ TERMINALS SECTION

Headphones Jack	Stereo, ϕ 3.5 mm ($1/8$ ")
USB	REAR USB Type A Connector
Support Memory Capacity	2 TB (max)
Maximum number of folders (albums)	800
Maximum number of files (songs)	8000
File system	FAT16, FAT32
USB port power	DC OUT 5 V 0.5 A (max)
Ethernet interface	LAN (100BASE-TX/10BASE-T)
AUX Input	Stereo, ϕ 3.5 mm ($1/8$ ") Jack
Digital Input	Optical digital input (Optical terminal)
Format support	LPCM

■ FORMAT SECTION

USB-A

USB Standard	USB 2.0 high-speed USB Mass Storage class
--------------	--

Wi-Fi SECTION

Standard	IEEE802.11b/g/n
Frequency Band	2.4 GHz band (1 - 11 ch)
Security	WPA2™, Mixed mode WPA2™/WPA™
Encryption Type	TKIP/AES
Authentication type	PSK WEP (64 bit/128 bit)
WPS version	Version 2.0

■ File format

This unit supports the following file formats.

- This unit does not support the playback of copy-protected music files.
- Playback of all files in formats supported by this unit is not guaranteed.
- Playback of a file in a format not supported by this unit may cause choppy audio or noise. In such cases, check to see if this unit supports the file format.
- This unit does not support VBR (Variable Bit Rate) playback.
- Some of the connected devices (servers) may be capable of converting files in formats not supported by this unit and output them. For details, refer to the operating instructions for your server.
- File information (sampling frequency, etc.) shown by this unit and playback software may differ from each other.

USB-A

File format	Extension	Sampling frequency	Bit rate/ Number of quantization bits
MP3	.mp3	32/44.1/ 48 kHz	16 to 320 kbps
AAC	.m4a .aac	32/44.1/48/ 88.2/96 kHz	16 to 320 kbps
WMA	.wma	32/44.1/ 48 kHz	16 to 320 kbps
WAV	.wav	32/44.1/48/ 88.2/96/ 176.4/192 kHz	16/24 bit
FLAC	.flac	32/44.1/48/ 88.2/96/ 176.4/192 kHz	16/24 bit
AIFF	.aiff	32/44.1/48/ 88.2/96/ 176.4/192 kHz	16/24 bit
ALAC	.m4a	32/44.1/48/ 88.2/96/ 176.4/192 kHz	16/24 bit
DSD	.dff .dsf	2.8/5.6 MHz	

LAN (DLNA)*

File format	Extension	Sampling frequency	Bit rate/ Number of quantization bits
MP3	.mp3	32/44.1/ 48 kHz	16 to 320 kbps
AAC	.m4a .aac	32/44.1/48/ 88.2/96 kHz	16 to 320 kbps
WMA	.wma	32/44.1/ 48 kHz	16 to 320 kbps
WAV	.wav	32/44.1/48/ 88.2/96/ 176.4/192 kHz	16/24 bit
FLAC	.flac	32/44.1/48/ 88.2/96/ 176.4/192 kHz	16/24 bit
AIFF	.aiff	32/44.1/48/ 88.2/96/ 176.4/192 kHz	16/24 bit
ALAC	.m4a	32/44.1/48/ 88.2/96/ 176.4/192 kHz	16/24 bit
DSD	.dff .dsf	2.8/5.6 MHz	

*: Whether or not each music file can be played back over your network is determined by the network server even if the format of the file is listed above. For example, if you are using Windows Media Player 11, not all music files on the PC are playable. You can play back only those added to the library of Windows Media Player 11.

Note

- Specifications are subject to change without notice.
- Mass and dimensions are approximate.

**Panasonic Corporation of
North America**

Two Riverfront Plaza, Newark, NJ 07102-5490
<http://www.panasonic.com>

Panasonic Canada Inc.

5770 Ambler Drive, Mississauga, Ontario, L4W 2T3
www.panasonic.com

ⓔn