

Owner's Manual/ Manuel d'utilisation/ Instrucciones de funcionamiento

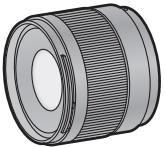
INTERCHANGEABLE LENS FOR DIGITAL CAMERA

OBJECTIF INTERCHANGEABLE POUR APPAREIL PHOTO NUMÉRIQUE

ÓPTICA INTERCAMBIABLE PARA CÁMARA DIGITAL

Modél No./Modèle/Modelo N.

H-X09



LEICA
DG LENS



DVQX2275ZA
F0422AJ0

If you have any questions, visit:
USA : <http://shop.panasonic.com/support>
Canada : www.panasonic.ca/english/support

Pour toute assistance supplémentaire, visitez :
Canada : www.panasonic.ca/french/support

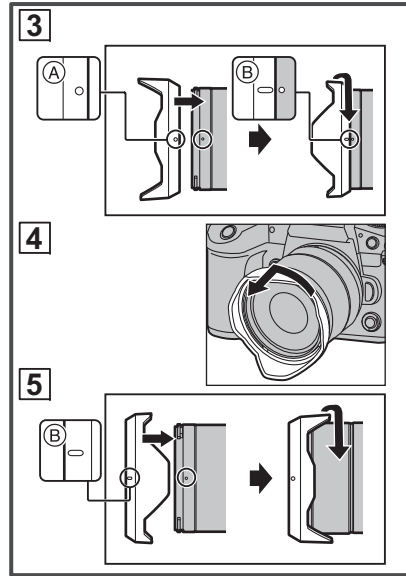
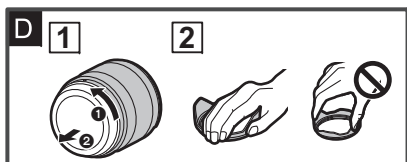
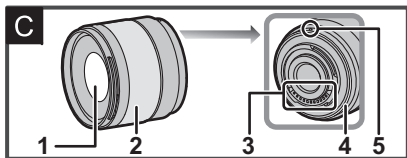
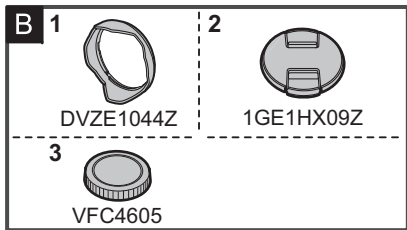
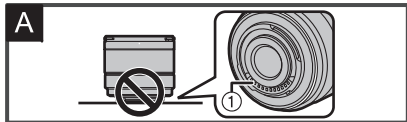
Register online at

<http://shop.panasonic.com/support>
(U.S. customers only/
Pour les États-Unis seulement)

Panasonic Corporation of North America
Two Riverfront Plaza, Newark, NJ 07102-5490
<http://shop.panasonic.com>

Panasonic Canada Inc.
5770 Ambler Drive, Mississauga, Ontario L4W 2T3
www.panasonic.com

© Panasonic Entertainment
& Communication Co., Ltd. 2022
Printed in China / Imprimé en Chine /
Impreso en China



ENGLISH

Thank you for purchasing Panasonic product. Please read these instructions carefully before using this product, and save this manual for future use.

The lens can be used with a digital camera compatible with the lens mount standard for the Micro Four Thirds™ System.

- It cannot be mounted on the Four Thirds™ mount specification camera.
- For smoother recording, we recommend updating the firmware of the digital camera/lens to the latest version.
- For the latest information on the firmware or to download/update the firmware, visit the following support website: <https://panasonic.jp/support/global/cs/dsc/> (English only)

- Micro Four Thirds™ and Micro Four Thirds Logo marks are trademarks or registered trademarks of OM Digital Solutions Corporation, in Japan, the United States, the European Union and other countries.
- Four Thirds™ and Four Thirds Logo marks are trademarks or registered trademarks of OM Digital Solutions Corporation, in Japan, the United States, the European Union and other countries.
- LEICA is a registered trademark of Leica Microsystems IR GmbH. SUMMILUX is a registered trademark of Leica Camera AG. The LEICA DG lenses are manufactured using measurement instruments and quality assurance systems that have been certified by Leica Camera AG based on the company's quality standards.
- Other names, company names, product names mentioned in this document are trademarks or registered trademarks of the companies concerned.
- The appearance and specifications of products described in this document may differ from the actual products you have purchased due to later enhancements.

Information for Your Safety

Keep the unit as far away as possible from electromagnetic equipment (such as microwave ovens, TVs, video games, radio transmitters, high-voltage lines etc.).

- Do not use the camera near cell phones because doing so may result in noise adversely affecting the pictures and sound.
- If the camera is adversely affected by electromagnetic equipment and stops functioning properly, turn the camera off and remove the battery and/or the connected AC adaptor. Then reinsert the battery and/or reconnect the AC adaptor and turn the camera on.

THE FOLLOWING APPLIES ONLY IN THE U.S.A.
FCC Note:

- This equipment has been tested and found to comply with the limits for a Class B digital device, pursuant to Part 15 of the FCC Rules. These limits are designed to provide reasonable protection against harmful interference in a residential installation. This equipment generates, uses, and can radiate radio frequency energy and, if not installed and used in accordance with the instructions, may cause harmful interference to radio communications. However, there is no guarantee that interference will not occur in a particular installation. If this equipment does cause harmful interference to radio or television reception, which can be determined by turning the equipment off and on, the user is encouraged to try to correct the interference by one or more of the following measures:
 - Reorient or relocate the receiving antenna.
 - Increase the separation between the equipment and receiver.
 - Connect the equipment into an outlet on a circuit different from that to which the receiver is connected.
 - Consult the dealer or an experienced radio/TV technician for help.

FCC Caution:
Any unauthorized changes or modifications to this equipment would void the user's authority to operate this device.

This device complies with Part 15 of the FCC Rules. Operation is subject to the following two conditions: (1) This device may not cause harmful interference, and (2) this device must accept any interference received, including interference that may cause undesired operation.

Supplier's Declaration of Conformity
Trade Name: Panasonic
Model No.: H-X09
Responsible Party: Panasonic Corporation of North America
Two Riverfront Plaza, Newark, NJ 07102-5490
Support Contact: <http://shop.panasonic.com/support>



THE FOLLOWING APPLIES ONLY IN CANADA.

CAN ICES-003(B) / NMB-003(B)

Precautions

Handling of the lens

- When using this lens, take care not to drop, bump, or apply undue force to it. Doing so may cause malfunction or damage to this lens and the digital camera.
- Images may be affected by dust, dirt, and soiling (water, oil, fingerprints, etc.) on the lens surface. Before and after recording, use a blower to blow off dust and dirt from the surface of the lens, then lightly wipe with a soft dry cloth to remove soiling.
- When the lens is not in use, be sure to attach the lens cap and lens rear cap to prevent dust and other particles from accumulating on or entering the lens.
- To protect the lens contact points ①, do not do the following. These may cause malfunction. (See illustration **A**)
 - Touch the lens contact points.
 - Allow the lens contact points to become dirty.
 - Place the lens with its mount surface facing down.

Dust and splash resistant

- Splash Resistant and Dust Resistant are terms used to describe an extra level of protection this lens offers against exposure to a minimal amount of moisture, water or dust. These terms do not guarantee that damage will not occur if this lens is subjected to direct contact with water or dust infiltration. Take the following precautions to provide satisfactory dust and splash resistant performance. If the lens is not working properly, consult the dealer or Panasonic.
 - Attach to a digital camera that is dust and splash resistant.
 - When attaching or removing the lens, be careful so that foreign objects such as sand, dust, and water droplets do not adhere to or enter the lens mount rubber, contact points, digital camera and lens.
 - If the lens is exposed to water droplets or other liquids, wipe them off with a soft, dry cloth.
 - To improve the dust and splash resistant performance of the lens, a lens mount rubber is used in the mount.
 - The lens mount rubber will leave scuff marks on the digital camera mount, but this does not impact performance.
 - For information on changing the lens mount rubber, contact Panasonic.

Condensation (when the lens is fogged up)

- Condensation occurs when the ambient temperature or humidity changes. Please be careful, as it may cause lens stains, mold and malfunction.
- If condensation occurs, turn off the digital camera and leave it for approx. 2 hours. The fog will disappear naturally when the temperature of the digital camera becomes close to the ambient temperature.

B Supplied Accessories

Check that all the accessories are supplied before using the product. Product numbers correct as of May 2022. These may be subject to change.

- Lens hood
- Lens cap*
- Lens rear cap*

* Fitted to the lens at the time of purchase.

C Names and Functions of Components

- Lens surface
- Focus ring
Rotates the focus ring to focus when set to MF (Manual Focus). You can set the amount of movement for focusing using the focus ring with the menu in compatible digital cameras. Refer to the operating instructions for the digital camera for details.
- Contact points
- Lens mount rubber
- Lens fitting mark

Note

- While shooting video, in some situations, AF operation of the lens may be heard. In such situations changing to MF will improve this situation.
- There may be some vignetting at the edges of the screen when recording using the flash of the digital camera. We recommend using the wide panel on an external flash.
- When flash recording with a close subject, the light of the flash will be blocked by the lens and part of the picture may be dark. Check the distance from the subject when recording.

D Attaching the Lens

For information on how to attach the lens, refer to the operating instructions for your digital camera.
* Attach the lens after turning off the digital camera.
* Attach the lens after removing the lens rear cap.

- (See illustration **1**)
- After removing the lens from the digital camera, be sure to attach the lens cap and lens rear cap to prevent dust and other particles from accumulating on or entering the lens.

Attaching the lens hood

(See illustration **2**/**3**)

Hold the lens hood with your fingers placed as shown in the picture.

- Do not hold the lens hood in a way that twists or bends it.
- Align mark **A** (○) on the lens hood with the mark on the tip of the lens.
- Rotate the lens hood in the direction of the arrow to align mark **B** (○) on the lens hood with the mark on the tip of the lens.
 - Attach the lens hood by rotating it until it clicks.

Removing the lens hood

(See illustration **4**)
Rotate the lens hood in the direction of the arrow and then remove it.

Note

- When carrying, the lens hood can be attached in the reverse direction. (See illustration **5**)
- Align mark **B** (○) on the lens hood with the mark on the tip of the lens.
- Attach the lens hood by rotating it in the direction of the arrow until it clicks.
- It is recommended to remove the lens hood during flash photography as the lens hood can block the light from the flash.
- To prevent dropping of the lens, you should never carry the lens by just holding the lens hood.

Notes on filter use

- It is possible to attach the lens cap or the lens hood with the filter already attached.
- There may be some vignetting in recorded images if multiple filters are attached simultaneously.
- It is not possible to attach any items other than filters such as a conversion lens or adaptor to the front of the lens and use it in combination with this lens. Lens damage may result if such items are attached.

Cautions for Use

- Do not spray the lens with insecticides or volatile chemicals.
 - If such substances get onto the lens they can damage the exterior case or cause the paint to peel.
- Do not point the lens at the sun or other strong light sources.
 - This may cause the lens to collect an excessive amount of light, resulting in fire and malfunction.
- Do not use while directly touching the lens at low temperatures for a long period of time.
 - In cold places (environments below 0 °C (32 °F), such as ski slopes), prolonged direct contact with the lens may cause skin injury. Use gloves or similar when using the lens for long periods.
- When cleaning, wipe lightly using a soft dry cloth that does not produce dust.
 - Do not use solvents such as benzine, thinners, alcohol, kitchen cleansers, etc., as this can cause problems such as deformation of the casing or peeling of the coating.
 - Do not use wipes with chemicals.
- Do not keep products made of rubber, PVC or similar materials in contact with the lens for a long period of time. Do not disassemble or alter this product.
- When the lens is not going to be used for a prolonged period, we recommend storing with a desiccant (silica gel).
- Check all the parts before recording when you have not used the lens for a long period of time.
- Avoid using or storing the lens in any of the following locations as this may cause problems in operation or malfunctioning:
 - In direct sunlight or on a beach in summer
 - In locations with high temperatures and humidity levels or severe changes in temperature and humidity
 - In sandy or dusty locations
 - Where there is fire
 - Near heaters, air conditioners or humidifiers
 - Where water may make the lens wet
 - Where there is vibration
 - Inside a vehicle
- Refer also to the operating instructions for the digital camera.

Troubleshooting

A rattling sound, etc. is heard when the digital camera is turned on or off or the lens is shaken.
There is a sound from the lens when taking pictures.

- This is the sound of the internal lenses moving or the aperture operating. It is not a malfunction.

Specifications

The specifications are subject to change for performance enhancement.

INTERCHANGEABLE LENS FOR DIGITAL CAMERA
"LEICA DG SUMMILUX 9mm/F1.7 ASPH."

Mount
Micro Four Thirds Mount
Focal length
f=9 mm (35 mm film camera equivalent: 18 mm)
Lens construction
12 elements in 9 groups (2 aspherical lenses, 2 ED lenses, 1 UHR lens)
Aperture type
7 diaphragm blades/circular aperture diaphragm
Maximum aperture
F1.7
Minimum aperture value
F16
Angle of view
100°
In focus distance
0.095 m (0.31 feet) to ∞ (from the focus distance reference line)
Maximum image magnification
0.25× (35 mm film camera equivalent: 0.50×)
Optical Image Stabilizer
No
Filter diameter
55 mm
Maximum diameter
∅60.8 mm (2.4")

Overall length
Approx. 52.0 mm (2.0") (from the tip of the lens to the base side of the lens mount)
Mass (Weight)
Approx. 130 g (0.29 lb)
Dust and splash resistant
Yes
Recommended operating temperature
-10 °C to 40 °C (14 °F to 104 °F)
Permissible relative humidity
10 %RH to 80 %RH

FRANÇAIS

Merci d'avoir fait l'achat d'un produit Panasonic. Veuillez lire attentivement les présentes instructions avant d'utiliser ce produit, et conserver ce manuel pour utilisation ultérieure.

L'objectif peut être utilisé de pair avec un appareil photo numérique compatible avec l'objectif à monture standard pour le système Micro Four Thirds™ (Micro Quatre Tiers).

- Il ne peut pas être monté sur les appareils à monture Four Thirds™ (Quatre Tiers).
- Pour un enregistrement plus fluide, nous vous conseillons de mettre à jour la version du micrologiciel de l'appareil photo numérique/objectif.
- Pour les plus récentes informations sur le micrologiciel ou pour le télécharger/mettre à jour, visitez le site d'assistance suivant : <https://panasonic.jp/support/global/cs/dsc/> (En anglais uniquement)

- Micro Four Thirds™ (Micro Quatre Tiers) et le logo Micro Four Thirds sont des marques de commerce ou des marques déposées d'OM Digital Solutions Corporation au Japon, aux États-Unis, en Union européenne et dans d'autres pays.
- Four Thirds™ (Quatre Tiers) et le logo Four Thirds sont des marques de commerce ou des marques déposées d'OM Digital Solutions Corporation au Japon, aux États-Unis, en Union européenne et dans d'autres pays.
- LEICA est une marque déposée de Leica Microsystems IR GmbH. SUMMILUX est une marque déposée de Leica Camera AG. Les objectifs DG de LEICA sont fabriqués avec des instruments de mesure homologués par Leica Camera AG et des systèmes de contrôle de la qualité fondés sur des normes approuvées par Leica.
- Les autres noms, raisons sociales et appellations de produits cités dans ce document sont des marques de commerce ou des marques déposées de leurs détenteurs respectifs.
- L'apparence et les spécifications des produits décrits dans ce document peuvent être différentes de celles des produits que vous avez réellement achetés, en raison des améliorations apportées ultérieurement.

Précautions à prendre

Évitez d'approcher l'élément de tout équipement magnétisé (four à micro-ondes, téléviseur, équipement de jeux vidéo, émetteur radio, ligne à haute tension, etc.).

- N'utilisez pas l'appareil photo à proximité d'un téléphone cellulaire; cela pourrait entraîner un bruit nuisible à l'image et au son.
- Advenant le cas où le fonctionnement de l'appareil serait dérangé par un champ magnétique, coupez le contact, retirez la batterie ou débranchez l'adaptateur secteur pour ensuite soit remettre la batterie en place, soit rebrancher l'adaptateur. Remettez l'appareil en marche.

CE QUI SUIT NE S'APPLIQUE QU'AU CANADA.

CAN ICES-003(B) / NMB-003(B)

Précautions

Manipulation de l'objectif

- Lorsque vous utilisez cet objectif, veillez à ne pas le faire tomber, le cogner ou appuyer trop fort dessus. Dans le cas contraire, cela pourrait endommager ou causer le dysfonctionnement de cet objectif et de l'appareil photo numérique.
- Les images peuvent être affectées par la poussière, la saleté et les salissures (eau, gras, empreintes de doigt) présentes sur la surface de la lentille. Avant et après l'enregistrement, utilisez un souffleur pour éliminer la poussière et la saleté de la surface de la lentille, puis essuyez-la légèrement avec un chiffon doux et sec pour éliminer les salissures.
- Lorsque l'objectif n'est pas utilisé, veillez à mettre en place le capuchon d'objectif et le capuchon d'objectif arrière pour empêcher la poussière et autres particules de s'y accumuler ou de pénétrer à l'intérieur de celui-ci.
- Pour protéger les points de contact de l'objectif ①, ne faites pas ce qui suit car cela pourrait causer un dysfonctionnement. (Voir illustration **A**)
 - Toucher les points de contact de l'objectif.
 - Laisser les points de contact se salir.
 - Poser l'objectif sur sa surface de montage.

Résistance à la poussière et aux éclaboussures

- Résistance à la poussière et aux éclaboussures est utilisée pour décrire le niveau supplémentaire de protection qu'offre cet objectif contre l'exposition à une quantité minimale d'humidité, d'eau ou de poussière. Elle ne garantit pas que des dommages ne surviendront pas si cet objectif est soumis au contact direct de l'eau ou à une infiltration de poussière. Respectez les précautions suivantes pour que les performances de résistance à la poussière et aux éclaboussures soient satisfaisantes. Si l'objectif ne fonctionne pas correctement, contactez le revendeur ou Panasonic.
 - Installez-le sur un appareil photo numérique qui résiste à la poussière et aux éclaboussures.
 - Lors de la mise en place ou du retrait de l'objectif, veillez à ce qu'aucun corps étranger tel que du sable, de la poussière ou des gouttes d'eau, n'adhère au caoutchouc de la monture, aux points de contact, à l'appareil photo numérique et à l'objectif.
 - Si l'objectif est exposé à des éclaboussures d'eau ou à d'autres liquides, essuyez le liquide à l'aide d'un chiffon doux et sec.

- Pour améliorer les performances de résistance à la poussière et aux éclaboussures de l'objectif, un joint en caoutchouc est intégré dans la monture de l'objectif.
 - Le joint en caoutchouc de l'objectif laisse des marques sur la monture de l'appareil photo numérique, mais cela n'a aucune incidence sur les performances.
 - Pour en savoir plus sur le remplacement du joint en caoutchouc de la monture de l'objectif, contactez Panasonic.

Condensation (lorsque l'objectif est embué)

- Il y a formation de condensation lorsque la température ambiante ou le taux d'humidité change. Faites attention, car cela pourrait créer des taches, de la moisissure et causer un dysfonctionnement.
- En cas de condensation, mettez l'appareil photo hors marche et laissez-le ainsi pendant environ 2 heures. La buée disparaît naturellement lorsque la température de l'appareil photo numérique se rapproche de celle ambiante.

B Accessoires fournis

Vérifiez que tous les accessoires sont fournis avant d'utiliser le produit. Les numéros de produit sont corrects à compter de mai 2022. Ceux-ci sont susceptibles d'être modifiés.

- Parasoleil
- Protège-objectif*
- Capuchon arrière d'objectif*

* Installé sur l'objectif au moment de l'achat.

C Noms et fonctions des composants

- Surface de l'objectif
- Bague de mise au point
Tournez afin de mettre au point lors de la prise de photos en mise au point manuelle (MF). Vous pouvez régler l'amplitude de mouvement de la mise au point en utilisant la bague de focus avec les menus des appareils photo numériques compatibles. Consultez le mode d'emploi de l'appareil photo numérique pour avoir des détails.
- Points de contact
- Garniture en caoutchouc de l'objectif
- Repère pour la mise en place de l'objectif

Note

- Si le bruit de fonctionnement de la MPA (mise au point automatique) vous ennuie durant un enregistrement vidéo, il est conseillé de sélectionner la MPM (mise au point manuelle).
- Pourrait se produire un effet de vignettage sur les bords de l'écran lors d'un enregistrement qui utilise le flash de l'appareil photo numérique. Nous vous conseillons d'utiliser le panneau large sur un flash externe.
- En enregistrant un sujet proche avec le flash, la lumière du flash peut être bloquée par l'objectif et une partie de la photo peut être sombre. Vérifiez la distance du sujet en enregistrant.

D Mise en place de l'objectif

Pour de plus amples informations sur la manière d'installer l'objectif, consultez le manuel d'utilisation de l'appareil photo numérique.

- Installez l'objectif après avoir mis l'appareil photo numérique hors marche.
- Installez l'objectif après avoir retiré le capuchon d'objectif arrière. (Voir illustration **1**)
- Après avoir retiré l'objectif de l'appareil photo numérique, veillez à mettre en place le capuchon d'objectif et le capuchon d'objectif arrière pour empêcher la poussière et autres particules de s'y accumuler ou de pénétrer à l'intérieur de celui-ci.

Fixation du parasoleil (Voir illustration **2**/**3**)

Tenez le parasoleil avec vos doigts positionnés comme sur l'image.

- Ne tenez pas le parasoleil de manière à le tordre ou le plier.

- Alignez le repère **A** (○) présent sur le parasoleil sur le repère situé à l'extrémité de l'objectif.
- Faites tourner le parasoleil dans le sens de la flèche pour aligner le repère **B** (○) présent sur le parasoleil sur le repère situé à l'extrémité de l'objectif.
 - Installez le parasoleil en le faisant tourner jusqu'à ce qu'il clique.

Retrait d'un parasoleil (Voir illustration **4**)

Tournez le parasoleil dans le sens de la flèche pour le retirer.

Note

- Pendant le transport, le parasoleil peut être fixé en sens inverse. (Voir illustration **5**)
- Alignez le repère **B** (○) présent sur le parasoleil sur le repère situé sur l'extrémité de l'objectif.
- Installez le parasoleil en le faisant tourner dans le sens de la flèche jusqu'à ce qu'il clique.
- Il est conseillé de retirer le parasoleil lorsque le flash est utilisé car il peut bloquer la lumière provenant de ce dernier.
- Pour éviter de laisser tomber l'objectif, il ne faut jamais le porter en le tenant simplement par le parasoleil.
- Remarques sur l'utilisation d'un filtre
 - Il est possible d'installer le capuchon d'objectif ou le parasoleil avec le filtre déjà en place.
 - Il pourrait se produire un effet de vignettage sur les images enregistrées si plusieurs filtres sont utilisés simultanément.
 - Il n'est pas possible d'installer des éléments autres que des filtres, tel qu'une lentille de conversion ou un adaptateur, à l'avant de l'objectif et de les utiliser avec ce dernier. L'objectif pourrait être endommagé si de tels éléments sont mis en place.

Précautions d'utilisation

- Ne pulvérisez pas d'insecticides ou de substances chimiques volatiles sur l'objectif.
 - Si de telles substances atteignent l'objectif, celui-ci pourrait être endommagé, ou la peinture pourrait s'écailler.
- Ne pointez pas l'objectif vers le soleil ou d'autres sources intenses de lumière.
 - L'objectif pourrait recueillir une quantité excessive de lumière, causant un feu et un dysfonctionnement.
- Ne touchez pas directement l'objectif durant un long moment lorsque la température est basse.
 - Dans les endroits froids (température ambiante en dessous de 0 °C (32 °F), comme sur les pistes de ski), le contact direct et prolongé avec l'objectif peut causer des blessures. Utilisez des gants ou quelque chose de similaire pour utiliser l'objectif durant un long moment.
- Lors du nettoyage, essuyez délicatement avec un chiffon doux et sec sans peluche.
 - N'utilisez pas de solvants comme le benzène, des diluants, de l'alcool, des détergents de cuisine, etc., car cela pourrait déformer le boîtier ou décoller le revêtement.
 - Ne pas utiliser de lingettes chimiques.
- Ne laissez pas de produits en caoutchouc, PVC ou matériaux similaires au contact de l'objectif pendant longtemps.
- Ne démontez pas et n'altérez pas ce produit.
- Si l'objectif ne doit plus être utilisé pendant une période prolongée, nous vous conseillons de le ranger avec un produit déshydratant (gel de silice).
- Vérifiez tous les éléments avant d'enregistrer si vous n'avez pas utilisé l'objectif depuis longtemps.
- Évitez d'utiliser ou de ranger l'objectif dans l'un des endroits suivants car cela pourrait causer des problèmes durant l'utilisation ou des dysfonctionnements :
 - À la lumière directe du soleil ou sur la plage en été
 - Dans des endroits soumis à des températures et à des taux d'humidité élevés ou à d'importantes variations de température et d'humidité
 - Dans des endroits sablonneux ou poussiéreux
 - Où il y a du feu
 - Près de radiateurs, climatiseurs, humidificateurs
 - Là où l'eau est susceptible de mouiller l'objectif
 - Où il y a des vibrations
 - À l'intérieur d'un véhicule
- Consultez également le manuel d'utilisation de l'appareil photo.

Dépannage

Un cliquetis, etc., se fait entendre lorsque l'appareil photo numérique est mis en/hors marche ou lorsque l'objectif est secoué.

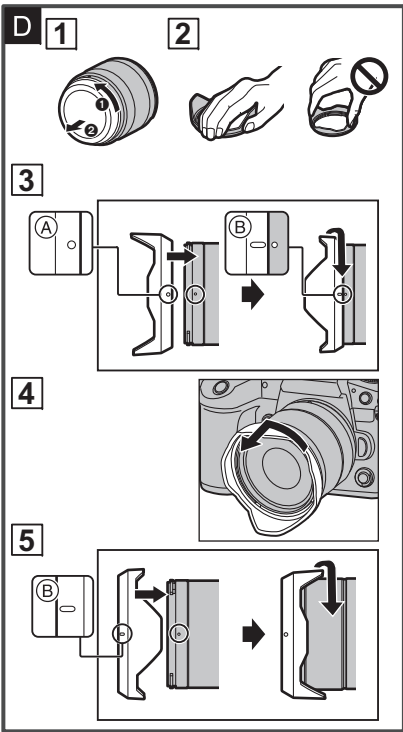
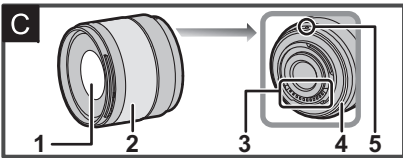
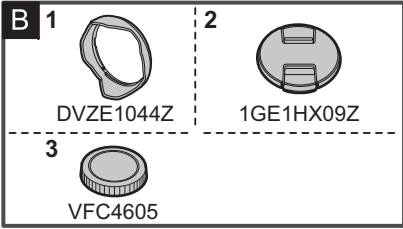
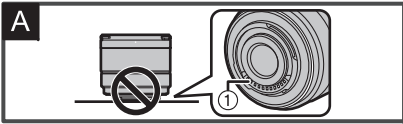
Il y a un bruit provenant de l'objectif lors des prises de vues.

- Il s'agit du bruit que fait le déplacement des lentilles internes ou le fonctionnement de l'ouverture. Ce n'est pas un dysfonctionnement.

Spécifications

Ces spécifications peuvent être soumises à des changements pour de meilleures performances.

OBJECTIF INTERCHANGEABLE POUR APPAREIL PHOTO NUMÉRIQUE
"LEICA DG SUMMILUX 9mm/F1.7 ASPH."



ESPAÑOL

Gracias por comprar un producto Panasonic. Lea cuidadosamente estas instrucciones antes de usar este producto, y guarde este manual para usarlo en el futuro.

La lente puede ser usada con una cámara digital compatible con el estándar de montaje de lente del sistema Micro Four Thirds™

- No se puede montar en una cámara con estándar de soporte Four Thirds™.
- Para una grabación más uniforme, se recomienda que actualice el firmware de la cámara digital/lente con la versión más reciente.
- Para la información más reciente sobre el firmware o para descargarlo/actualizarlo, visite la siguiente página de atención al cliente: https://panasonic.jp/support/global/cs/dsc/ (Solo en inglés)

- El logotipo Micro Four Thirds™ y Micro Four Thirds son marcas comerciales o marcas comerciales registradas de OM Digital Solutions Corporation, en Japón, Estados Unidos, la Unión Europea y otros países.
- El logotipo Four Thirds™ y Four Thirds son marcas comerciales o marcas comerciales registradas de OM Digital Solutions Corporation, en Japón, Estados Unidos, la Unión Europea y otros países.
- LEICA es una marca registrada de Leica Microsystems IR GmbH. SUMMILUX es una marca registrada de Leica Camera AG. Los objetivos LEICA DG se fabrican usando instrumentos de medida y sistemas de garantía de calidad certificados por Leica Camera AG en base a los estándares de calidad de la compañía.
- Otros nombres, nombres de empresas y nombres de producto mencionados en este documento son marcas comerciales o marcas comerciales registradas de las empresas en cuestión.
- La apariencia y las especificaciones de los productos descritos en este documento pueden diferir de los productos reales comprados debido a posteriores mejoras.

Información para su seguridad

Mantenga la unidad lo más lejos que sea posible de equipos electromagnéticos (como hornos de microondas, televisores, video juegos, transmisores radio, líneas de alto voltaje, etc.).

- No utilice la cámara cerca de teléfonos móviles, ya que lo de hacerlo puede producir ruido que afectará negativamente a las imágenes y el sonido.
- Si la cámara queda afectada negativamente por un equipo electromagnético y deja de funcionar correctamente, apague la cámara y quite la batería y/o el adaptador de CA conectado. Luego vuelva a insertar la batería y/o vuelva a conectar el adaptador de CA y encienda la cámara.

LO SIGUIENTE SÓLO SE APLICA EN LOS EE. UU.

Nota FCC:

Este equipo se ensayó y se encontró que cumple con los límites de un dispositivo digital de la Clase B, de acuerdo con la Parte 15 de las Reglas FCC. Dichos límites se han previsto para proporcionar una razonable protección contra las interferencias dañinas en una instalación residencial. Este equipo genera, utiliza y puede radiar frecuencias radio y, por sí no se instala y no se utiliza según dichas instrucciones, puede causar interferencias dañinas en las comunicaciones radio. Sin embargo, no hay ninguna garantía que dichas interferencias puedan ocurrir en instalaciones especiales. Si este equipo no causa interferencias dañinas a recepción de radio o televisión, que pueden ser determinadas apagando y enciendo el equipo, se anima al usuario a intentar corregir la interferencia por medio de una o más de las medidas a continuación:

- Vuelva a orientar o colocar la antena receptora.
- Aumente el espacio separador entre el equipo y el receptor.
- Conecte el equipo a un toma de un circuito diferente al que está conectado el receptor.
- Llame para ayuda a concesionario o a un técnico especializado de radio/televisores.

Aviso de FCC:

- Cualquier cambio o modificación no autorizada en este equipo anularía la autoridad del usuario para operar este dispositivo.

Este dispositivo cumple con la Parte 15 de las Reglas FCC. Su funcionamiento está sujeto a las dos condiciones a continuación: (1) Este dispositivo no puede causar interferencias dañinas y (2) este dispositivo tiene que aceptar cualquier interferencia recibida, incluyendo las que puede causa un funcionamiento no deseado.

Declaración de conformidad del proveedor
Nombre comercial: Panasonic
Modelo N.: H-X09
Parte responsable: Panasonic Corporation of North America
Two Riverfront Plaza, Newark, NJ 07102-5490

Contacto para atención: http://shop.panasonic.com/support

FC

Prevención contra las averías

Manipulación de la lente

- Al utilizar esta lente, tenga cuidado de no dejarla caer, golpearla o aplicar una fuerza excesiva sobre ella. Hacerlo podría causar un mal funcionamiento o daños en la lente y la cámara digital.
- Las imágenes pueden verse afectadas por el polvo y la suciedad (agua, aceite, huellas dactilares, etc.) de la superficie de la lente. Antes y después de grabar, use un soplador para eliminar el polvo y la suciedad de la superficie de la lente y luego límpie ligeramente con un paño suave y seco para eliminar la suciedad.
- Cuando la lente no esté en uso, asegúrese de colocar la tapa de la lente y la tapa trasera de la lente para evitar que el polvo y otras partículas se acumulen en la lente o entren en ella.
- Para proteger los puntos de contacto de la lente (1), no haga lo siguiente, ya que podría causar un mal funcionamiento. (Ver ilustración **A**)
 - Tocar los puntos de contacto de la lente.
 - Dejar que los puntos de contacto de la lente se ensucien.
 - Colocar la lente con la superficie de montaje hacia abajo.

Resistencia al polvo y a las salpicaduras

- Resistencia al polvo y a las salpicaduras es un término que se utiliza para describir un nivel adicional de protección que esta lente ofrece frente a la exposición a una cantidad mínima de humedad, agua y polvo. Este término no garantiza que no se produzcan daños si esta lente se somete a contacto directo con agua o infiltración de polvo. Tome las siguientes precauciones para un rendimiento satisfactorio de resistencia al polvo y a las salpicaduras. Si la lente no funciona correctamente, consulte con su distribuidor o con Panasonic.**
 - Móntela en una cámara digital que sea resistente al polvo y a las salpicaduras.**
 - Al colocar o quitar la lente, tenga cuidado de que materiales extraños como arena, polvo o gotas de agua no se adhieran a la lente o entren en la goma de montaje, los puntos de contacto, la cámara digital y la lente.
 - Si la lente quedara expuesta a gotas de agua u otros líquidos, séquela con un paño suave seco.
 - Para mejorar la resistencia al polvo y a las salpicaduras de la lente, en la montura se utiliza una goma de montaje de la lente.
 - La goma de montaje de la lente dejará marcas de roce en la montura de la cámara digital, pero esto no afecta al desempeño.
 - Para obtener información sobre cómo cambiar la goma de montaje de la lente, póngase en contacto con Panasonic.

Condensación (cuando las lentes están empañadas)

- La condensación se produce cuando la temperatura ambiente o la humedad cambia. Tenga cuidado con la condensación, ya que podría provocar manchas y moho en la lente y producirse un mal funcionamiento.
- Si se produce condensación, apague la cámara digital y déjela aprox. 2 horas. La neblina desaparecerá naturalmente cuando la temperatura de la cámara digital se aproxime a la temperatura ambiente.

B Accesorios suministrados

Antes de usar el producto, compruebe que estén suministrados todos los accesorios.
Números de productos correctos a partir de mayo de 2022. Pueden estar sujetos a cambio.

- Parasol
- Tapa de la lente*
- Tapa trasera de la lente*

* Acoplado a la lente al momento de la compra.

C Nombres y funciones de los componentes

- Superficie del objetivo
- Anillo del enfoque
 - Gire el anillo de enfoque para enfocar cuando esté en MF (enfoque manual).
 - Puede ajustar lo que se mueve el enfoque utilizando el anillo de enfoque con los menús de cámaras digitales compatibles. Consulte las instrucciones de funcionamiento de la cámara digital para más detalles.

- Punto de contacto
- Goma de montaje de la lente
- Marca para ajustar la lente

Nota

- Si el sonido del funcionamiento AF le molesta durante la grabación de video, se recomienda ajustar en MF.
- Al grabar usando el flash de la cámara digital, podría producirse viñeteado en los bordes de la pantalla. Se recomienda utilizar el panel de gran angular en un flash externo.
- Cuando graba usando el flash estando cerca del sujeto, la luz del flash será bloqueada por el objetivo y parte de la imagen puede quedar oscura. Compruebe la distancia desde el sujeto cuando graba.

D Colocar la lente

Para obtener información sobre cómo colocar la lente, consulte las instrucciones de funcionamiento de su cámara digital.

- Coloque la lente después de apagar la cámara digital.**
- Coloque la lente después de quitar la tapa trasera de la lente. (Ver ilustración **1**)

- Después de quitar la lente de la cámara digital, asegúrese de colocar la tapa de la lente y la tapa trasera de la lente para evitar que el polvo y otras partículas se acumulen en la lente o entren en ella.

Unión de la visera del objetivo (Ver ilustración **2**/3)

Sostenga la cubierta de la lente con sus dedos colocados como se muestra en la imagen.

- No sostenga la cubierta de la lente de forma que pueda doblarla o torcerla.

- Alinee la marca **A** (O) en la visera de la lente con la marca en el extremo de la lente.
- Gire el parasol en la dirección de la flecha para alinear la marca **B** (O) del parasol con la marca en el extremo de la lente.
 - Monte el parasol girándolo hasta que haga clic.

Cómo desmontar un parasol (Ver ilustración **4**)

Gire la visera del objetivo en la dirección de la flecha para quitarla.

Nota

- Cuando transporte la cámara, puede colocar la visera de la lente en la dirección inversa. (Ver ilustración **5**)

- Alinee la marca **@** (O) en la visera de la lente con la marca en el extremo de la lente.
- Monte el parasol girándolo en la dirección de la flecha hasta que haga clic.
- Se recomienda retirar la visera de la lente al realizar fotografías con flash, ya que la visera de la lente puede bloquear la luz del flash.
- Para evitar que la lente se caiga, nunca debe transportarla simplemente sujetando la visera de la lente.

Notas sobre el uso de filtros

- Se puede colocar la tapa de la lente o la visera de la lente con el filtro ya puesto.
- Si se colocan varios filtros simultáneamente, podría producirse viñeteado en las imágenes grabadas.
- No es posible colocar en la parte frontal de la lente, y utilizarlo en combinación con ella, otro elemento que no sea un filtro, como una lente de conversión o un adaptador. La lente podría dañarse si se colocan tales objetos.

Precauciones para el uso

- No rocíe la lente con insecticidas o productos químicos volátiles.**
 - Si dichas substancias caen en el objetivo, éstas pueden dañarlo o hacer desconchar su barniz.
- No lo apunte con el objetivo al sol u otras fuentes de luz intensa.**
 - Esto podría hacer que el objetivo recogiera demasiada luz, lo que podría provocar un incendio y una avería.
- No la utilice si va a tocar directamente la lente a bajas temperaturas durante un periodo de tiempo prolongado.**
 - En lugares fríos (entornos por debajo de 0 °C (32 °F), como las pistas de esquí), el contacto directo prolongado con la lente puede provocar lesiones en la piel. Use guantes o algo similar cuando utilice la lente durante periodos largos.

- Al limpiar, límpie ligeramente con un paño suave y seco que no produzca polvo.**
 - No utilice disolventes como gasolina, diluyentes, alcohol, detergentes para cocina, etc., ya que podrían causar problemas como la deformación de la carcasa o el desprendimiento del revestimiento.
 - No utilice toallitas con productos químicos.
 - No deje productos de goma, PVC o materiales similares en contacto directo con la lente durante un largo periodo.
 - No desarme ni altere este producto.
 - Cuando la lente no se vaya a usar durante un periodo de tiempo prolongado, se recomienda guardarla con un desecante (gel de sílice).
 - Compruebe todas las partes antes de comenzar a grabar cuando no haya usado la lente durante un periodo de tiempo prolongado.
 - Evite usar o guardar la lente en cualquiera de las siguientes ubicaciones, ya que esto podría causar problemas en el funcionamiento o fallas:
 - Bajo la luz directa del sol o bien a lo largo de la costa durante el verano
 - En ubicaciones con altas temperaturas y altos niveles de humedad o cambios bruscos de temperatura y humedad
 - En lugares arenosos o polvorientos
 - Donde haya llamas
 - Cerca de calefactores, acondicionadores de aire o humidecedores
 - Donde el agua pueda mojar la lente
 - Donde haya vibraciones
 - Dentro de un vehículo
 - Consulte además las instrucciones de funcionamiento de la cámara digital.

Búsqueda de averías

Cuando se enciende o apaga la cámara digital o cuando se sacude la lente, se oye un sonido de traqueteo. Hay un sonido que proviene de la lente cuando se toman imágenes.

- Este es el sonido de las lentes internas moviéndose o de la operación de apertura. No se trata de un funcionamiento defectuoso.

Especificaciones

Las especificaciones están sujetas a cambios para la mejora del rendimiento.

ÓPTICA INTERCAMBIABLE PARA CÁMARA DIGITAL “LEICA DG SUMMILUX 9mm/F1.7 ASPH.”

Montura
Montaje Micro Four Thirds
Longitud focal
f=9 mm (Igual a una cámara de película de 35 mm: 18 mm)
Estructura de la lente
12 elementos en 9 grupos (2 lentes esféricas, 2 lentes ED, 1 lente UHR)
Tipo de abertura
7 aspas de diafragma/Diafragma de apertura circular
Apertura máxima
F1.7
Valor de abertura mínimo
F16
Ángulo visual
100°
En la distancia del enfoque
0,095 m (0,31 pies) a ∞ (desde la línea de referencia de la distancia de enfoque)
Máxima ampliación de la imagen
0.25× (Igual a una cámara de película de 35 mm: 0.50×)
Estabilizador óptico de la imagen
No
Diámetro del filtro
55 mm
Diámetro máximo
∅60,8 mm (2,4")
Longitud total
Aprox. 52,0 mm (2,0") (desde la punta de la lente en hasta el lado base del montaje de la lente)
Masa
Aprox. 130 g (0,29 lb)
Resistencia al polvo y a las salpicaduras
Sí
Temperatura de funcionamiento recomendada
−10 °C a 40 °C (14 °F a 104 °F)
Humedad relativa admisible
10 %RH a 80 %RH

Limited Warranty

ONLY FOR U.S.A.

Panasonic Products Limited Warranty Limited Warranty Coverage (For USA Only)
If your product does not work properly because of a defect in materials or workmanship, Panasonic Corporation of North America (referred to as "the warrantor") will, for the length of the period indicated on the chart below, which starts with the date of original purchase ("warranty period"), at its option either (a) repair your product with new or refurbished parts, (b) replace it with a new or a refurbished equivalent value product, or (c) refund your purchase price. The decision to repair, replace or refund will be made by the warrantor.

Product or part name	Parts	Labor
Interchangeable Lens for Digital Camera	1 Year	1 Year
All included Accessories (Except Non-Rechargeable Batteries)	90 Days	Not Applicable
Only Non-Rechargeable Batteries	10 Days	Not Applicable

During the "Labor" warranty period there will be no charge for labor. During the "Parts" warranty period, there will be no charge for parts. This Limited Warranty excludes both parts and labor for non-rechargeable batteries, antennas, and cosmetic parts (cabinet). This warranty only applies to products purchased and serviced in the United States. This warranty is extended only to the original purchaser of a new product which was not sold "as is".

Mail-In Service—Online Repair Request

Online Repair Request
To submit a new repair request and for quick repair status visit our Web Site at <http://shop.panasonic.com/support>.

When shipping the unit, carefully pack, include all supplied accessories listed in the Owner's Manual, and send it prepaid, adequately insured and packed well in a carton box. When shipping Lithium Ion batteries please visit our Web Site at <http://shop.panasonic.com/support> as Panasonic

is committed to providing the most up to date information. Include a letter detailing the complaint, a return address and provide a daytime phone number where you can be reached. A valid registered receipt is required under the Limited Warranty.

IF REPAIR IS NEEDED DURING THE WARRANTY PERIOD, THE PURCHASER WILL BE REQUIRED TO FURNISH A SALES RECEIPT/PROOF OF PURCHASE INDICATING DATE OF PURCHASE, AMOUNT PAID AND PLACE OF PURCHASE. CUSTOMER WILL BE CHARGED FOR THE REPAIR OF ANY UNIT RECEIVED WITHOUT SUCH PROOF OF PURCHASE.

Limited Warranty Limits and Exclusions

This warranty ONLY COVERS failures due to defects in materials or workmanship, and DOES NOT COVER normal wear and tear or cosmetic damage. The warranty ALSO DOES NOT COVER damages which occurred in shipment, or failures which are caused by products not supplied by the warrantor, or failures which result from accidents, misuse, abuse, neglect, mishandling, misapplication, alteration, faulty installation, set-up adjustments, misadjustment of consumer controls, improper maintenance, power line surge, lightning damage, modification, introduction of sand, humidity or liquids, or rental use of the product, or service by anyone other than a Factory Service Center or other Authorized Servicer, or damage that is attributable to acts of God.

THESE ARE NO EXPRESS WARRANTIES EXCEPT AS LISTED UNDER "LIMITED WARRANTY COVERAGE". THE WARRANTOR IS NOT LIABLE FOR INCIDENTAL OR CONSEQUENTIAL DAMAGES RESULTING FROM THE USE OF THIS PRODUCT, OR ARISING OUT OF ANY BREACH OF THIS WARRANTY.

(As examples, this excludes damages for lost time, travel to and from the servicer, loss of or damage to media or images, data or other memory or recorded content. The items listed are not exclusive, but for illustration only.)
ALL EXPRESS AND IMPLIED WARRANTIES, INCLUDING THE WARRANTY OF MERCHANTABILITY, ARE LIMITED TO THE PERIOD OF THE LIMITED WARRANTY.
Some states do not allow the exclusion or limitation of incidental or consequential damages, or limitations on how long an implied warranty lasts, so the exclusions may not apply to you. This warranty gives you specific legal rights and you may also have other rights which vary from state to state. If a problem with this product develops during or after the warranty period, you may contact your dealer or Service Center. If the problem is not handled to your satisfaction, then write to:

Panasonic Corporation of North America
Consumer Affairs Department 8th Fl.
Two Riverfront Plaza
Newark NJ 07102-5490

PARTS AND SERVICE, WHICH ARE NOT COVERED BY THIS LIMITED WARRANTY, ARE YOUR RESPONSIBILITY.

Product registration is not mandatory. Failure to complete the form does not affect the consumer's warranty rights.

Shop Accessories!

for all your Panasonic gear

Go to

<http://shop.panasonic.com/support>

Get everything you need to get the most out of your Panasonic products

Accessories & Parts for your Camera, Phone, A/V products, TV, Computers & Networking, Personal Care, Home Appliances, Headphones, Batteries, Backup Chargers & more...

Customer Services Directory

For Product Information, Operating Assistance, Parts, Owner's Manuals, Dealer and Service info go to <http://shop.panasonic.com/support>

For the hearing or speech impaired TTY: 1- 877-833-8855

ONLY FOR CANADA

Panasonic Canada Inc.
5770 Ambler Drive, Mississauga, Ontario L4W 2T3
PANASONIC PRODUCT – LIMITED WARRANTY

Panasonic Canada Inc. warrants this product to be free from defects in material and workmanship under normal use and for a period as stated below from the date of original purchase agrees to, at its option either (a) repair your product with new or refurbished parts, (b) replace it with a new or a refurbished equivalent value product, or (c) refund your purchase price. The decision to repair, replace or refund will be made by Panasonic Canada Inc.

Interchangeable Lens for Digital Camera	One (1) year, parts and labour
---	--------------------------------

This warranty is given only to the original purchaser, or the person for whom it was purchased as a gift, of a Panasonic brand product mentioned above sold by an authorized Panasonic dealer in Canada and purchased and used in Canada, which product was not sold "as is", and which product was delivered to you in new condition in the original packaging.

IN ORDER TO BE ELIGIBLE TO RECEIVE WARRANTY SERVICE HEREUNDER, A PURCHASE RECEIPT OR OTHER PROOF OF DATE OF ORIGINAL PURCHASE, SHOWING AMOUNT PAID AND PLACE OF PURCHASE IS REQUIRED

LIMITATIONS AND EXCLUSIONS

This warranty ONLY COVERS failures due to defects in materials or workmanship, and DOES NOT COVER normal wear and tear or cosmetic damage. The warranty ALSO DOES NOT COVER damages which occurred in shipment, or failures which are caused by products not supplied by Panasonic Canada Inc., or failures which result from accidents, misuse, abuse, neglect, mishandling, misapplication, alteration, faulty installation, set-up adjustments, misadjustment of consumer controls, improper maintenance, improper batteries, power line surge, lightning damage, modification, introduction of sand, humidity or liquids, or rental use of the product, or service by anyone other than a Authorized Servicer, or damage that is attributable to acts of God.

Dry cell batteries, printer ink cartridge and paper are also excluded from coverage under this warranty. Rechargeable batteries are warranted for ninety (90) days from date of original purchase.

THIS EXPRESS, LIMITED WARRANTY IS IN LIEU OF ALL OTHER WARRANTIES, EXPRESS OR IMPLIED, INCLUDING ANY IMPLIED WARRANTIES OF MERCHANTABILITY AND FITNESS FOR A PARTICULAR PURPOSE. IN NO EVENT WILL PANASONIC CANADA INC. BE LIABLE FOR ANY SPECIAL, INDIRECT OR CONSEQUENTIAL DAMAGES RESULTING FROM THE USE OF THIS PRODUCT OR ARISING OUT OF ANY BREACH OF ANY EXPRESS OR IMPLIED WARRANTY.
(As examples, this warranty excludes damages for lost time, travel to and from the Authorized Servicer, loss of or damage to media or images, data or other memory or recorded content. This list of items is not exhaustive, but for illustration only.)

In certain instances, some jurisdictions do not allow the exclusion or limitation of incidental or consequential damages, or the exclusion of implied warranties, so the above limitations and exclusions may not be applicable. This warranty gives you specific legal rights and you may have other rights which vary depending on your province or territory.

WARRANTY SERVICE

For product operation, repairs and information assistance, please visit our Support page:

www.panasonic.ca/english/support

Garantie limitée

Panasonic Canada Inc.

5770, Ambler Drive, Mississauga (Ontario) L4W 2T3
PRODUIT PANASONIC – GARANTIE LIMITÉE

Panasonic Canada Inc. garantit que ce produit est exempt de défauts de matériaux et de main-d'œuvre dans un contexte d'utilisation normale pendant la période indiquée ci-après à compter de la date d'achat original et, dans l'éventualité d'une défectuosité, accepte, à sa discrétion, de (a) réparer le produit avec des pièces neuves ou remises à neuf, (b) remplacer le produit par un produit neuf ou remis à neuf d'une valeur équivalente ou (c) rembourser le prix d'achat. La décision de réparer, remplacer ou rembourser appartient à Panasonic Canada Inc.

Objetif interchangeable pour appareil photo numérique	Un (1) an, pièces et main-d'œuvre
---	-----------------------------------

La présente garantie n'est fournie qu'à l'acheteur original d'un des produits de marque Panasonic indiqués plus haut, ou à la personne l'ayant reçu en cadeau, vendu par un détaillant Panasonic agréé au Canada et utilisé au Canada. Le produit ne doit pas avoir été "vendu tel quel" et doit avoir été livré à l'état neuf dans son emballage d'origine.

POUR ÊTRE ADMISSIBLE AUX SERVICES AU TITRE DE LA PRÉSENTE GARANTIE, LA PRÉSENTATION D'UN REÇU D'ACHAT OU DE TOUTE AUTRE PIÈCE JUSTIFICATIVE DE LA DATE D'ACHAT ORIGINAL, INDIQUANT LE MONTANT PAYÉ ET LE LIEU DE L'ACHAT, EST REQUISE.

RESTRICTIONS ET EXCLUSIONS

La présente garantie COUVRE SEULEMENT les défaillances attribuables à un défaut des matériaux ou à un vice de fabrication et NE COUVRE PAS l'usure normale ni les dommages esthétiques. La présente garantie NE COUVRE PAS NON PLUS les dommages subis pendant le transport, les défaillances causées par des produits non fournis par Panasonic Canada Inc., ni celles résultant d'un accident, d'un usage abusif ou impropre, de négligence, d'une manutention inadéquate, d'une mauvaise application, d'une altération, d'une installation ou de réglages impropres, d'un mauvais réglage des contrôles de l'utilisateur, d'un mauvais entretien, de piles inadéquates, d'une surtension temporaire, de la foudre, d'une modification, de la pénétration de sable, de liquides ou d'humidité, d'une location du produit, d'une réparation effectuée par une entité autre qu'un centre de service Panasonic agréé ou encore d'une catastrophe naturelle.

Les piles sèches, les cartouches d'encre et le papier sont également exclus de la présente garantie.

Les piles rechargeables sont couvertes par une garantie de quatre-vingt-dix (90) jours à compter de la date d'achat original.

CETTE GARANTIE LIMITÉE ET EXPRESSE REMPLACE TOUTE AUTRE GARANTIE, EXPRESSE OU IMPLICITE, INCLUANT LES GARANTIES IMPLICITES DU CARACTÈRE ADEQUAT POUR LA COMMERCIALISATION ET UN USAGE PARTICULIER. PANASONIC CANADA INC. N'AURA D'OBLIGATION EN AUCUNE CIRCONSTANCE POUR TOUT DOMMAGE DIRECT, INDIRECT OU CONSÉCUTIF RÉSULTANT DE L'UTILISATION DE CE PRODUIT OU DÉCOULANT DE TOUTE DÉROGATION À UNE GARANTIE EXPRESSE OU IMPLICITE. (À titre d'exemples, cette garantie exclut les dommages relatifs à une perte de temps, le transport jusqu'à et depuis un centre de service agréé, la perte ou la détérioration de supports ou d'images, de données ou de tout autre contenu en mémoire ou enregistré. Cette liste n'est pas exhaustive et n'est fournie qu'à des fins explicatives.)

Certaines juridictions ne reconnaissent pas les exclusions ou limitations de dommages indirects ou consécutifs, ou les exclusions de garanties implicites. Dans de tels cas, les limitations stipulées ci-dessus peuvent ne pas être applicables. La présente garantie vous confère des droits précis; vous pourriez aussi avoir d'autres droits pouvant varier selon votre province ou territoire de résidence.

SERVICE SOUS GARANTIE

Pour tout renseignement sur les produits, réparation ou assistance technique, veuillez visiter notre page Soutien :

www.panasonic.ca/french/support

As of November 2021