

# Panasonic®

Operating Instructions  
Manuel d'utilisation  
Manual De Operación

(Household) Rechargeable Shaver  
(Utilisation domestique) Rasoir rechargeable  
(Uso doméstico) Afeitadora Recargable

Model No. ES-SL41  
N° de modèle ES-SL41  
Modelo No. ES-SL41

---

---

<b>English</b>	<b>2</b>
<b>Français</b>	<b>10</b>
<b>Español</b>	<b>18</b>



Before operating this unit, please read these instructions completely and save them for future use.  
Avant d'utiliser ce produit, veuillez lire attentivement les instructions et conserver ce manuel pour un usage futur.  
Antes de utilizar este producto, lea las instrucciones detenidamente y guarde este manual para uso futuro.

# IMPORTANT SAFETY INSTRUCTIONS

When using an electrical appliance, basic precautions should always be followed, including the following:

Read all instructions before using this appliance.

## **DANGER** To reduce the risk of electric shock:

1. Do not reach for an appliance that has fallen into water. Unplug immediately.
2. Charger unit is not for immersion or for use in shower.
3. Do not place or store appliance where it can fall or be pulled into a tub or sink. Do not place in or drop into water or other liquid.
4. Except when charging, always unplug this appliance from the electrical outlet immediately after using.
5. Unplug this appliance before cleaning.
6. Do not use an extension cord with this appliance.

## **WARNING** To reduce the risk of burns, fire, electric shock, or injury to persons:

1. Close supervision is necessary when this appliance is used by, on, or near children or invalids.

2. Use this appliance only for its intended use as described in this manual. Do not use attachments not recommended by the manufacturer.
3. Never operate this appliance if it has a damaged cord or plug, if it is not working properly, if it has been dropped or damaged, or dropped into water. Return the appliance to a service center for examination and repair.
4. Keep the cord away from heated surfaces.
5. Never drop or insert any object into any opening.
6. Do not use outdoors or operate where aerosol (spray) products are being used or where oxygen is being administered.
7. Do not use this appliance with damaged shaving blades and/or foil, as it has the potential to result in facial injury.
8. Always attach plug to appliance first, then to outlet. To disconnect, turn all controls to "off" then remove plug from outlet.

## **SAVE THESE INSTRUCTIONS**

**Thank you for choosing a Panasonic shaver ES-SL41. With our WET/DRY technology, you can enjoy using your Panasonic shaver dry or in the shower or bath for gentle and easy shaving. Please read all instructions before use.**

## Important

This shaver has a built-in rechargeable battery. Do not throw into fire, apply heat, or charge, use, or leave in a high temperature environment.

### ► Before use

This WET/DRY shaver can be used for wet shaving using shaving lather or for dry shaving. You can use this watertight shaver in the shower and clean with water. The following symbol means suitable for use in a bath or shower.



Treat yourself to wet lather shaves for at least three weeks and notice the difference. Your Panasonic WET/DRY shaver requires a little time to get used to because your skin and beard need about a month to adjust to any new shaving method.

### ► Using the shaver

#### Caution

**The outer foil is very thin and can be damaged if not used correctly. Check that the foil is not damaged before using the shaver. Do not use the shaver if the foil is damaged as you will cut your skin.**

- Terminate usage when there is an abnormality or failure.
- Do not use excessive pressure to apply the outer foil to your lip or other part of your face. Do not apply the outer foil directly to blemishes or injured skin.

- Do not share your shaver with your family or other people. Doing so may result in infection or inflammation.
- This appliance is not intended for use by persons (including children) with reduced physical, sensory or mental capabilities, or lack of experience and knowledge, unless they have been given supervision or instruction concerning use of the appliance by a person responsible for their safety. Children should be supervised to ensure that they do not play with the appliance.

### ► Charging the shaver

- Never use the AC adaptor in the bathroom or shower room.
- Use the dedicated AC adaptor (RE7-70) only. Do not use the dedicated AC adaptor to charge other appliances.
- Put the plug into a household outlet where there is no moisture and handle it with dry hands.
- Hold the plug when disconnecting it from the household outlet. If you tug on the power cord, you may damage it.
- The supply cord cannot be replaced. If the cord is damaged, the AC adaptor should be scrapped.
- The AC adaptor is intended to be correctly oriented in a vertical or floor mount position.

### ► Cleaning the shaver

#### Warning

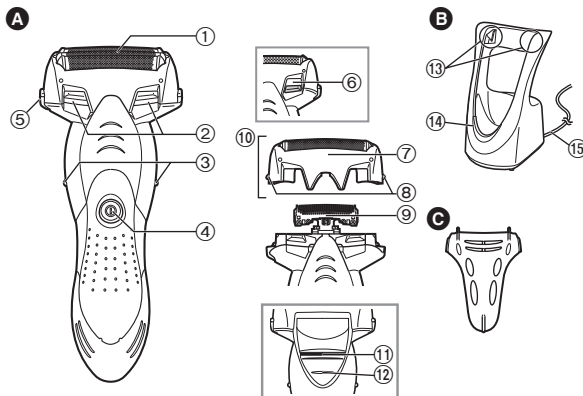
**Disconnect the plug from the household outlet before cleaning to prevent electric shock.**

- Keep both the inner blades inserted. If only one of the inner blades is inserted, the shaver may be damaged.
- If you clean the shaver with water, do not use salt water or hot water. Do not soak the shaver in water for a long period of time.
- Clean the housing only with a soft cloth slightly dampened with tap water or soapy tap water. Do not use thinner, benzene, alcohol or other chemicals.
- Do not wash the AC adaptor with water.

### ► Storing the shaver

- When storing the shaver, always put it in the carrying holder to avoid scratching the outer foil.
- Store the shaver in a place with low humidity after use.
- Do not store the shaver where it will be exposed to direct sunlight or other heat sources.
- Remove the shaver from the AC adaptor when storing it.
- Do not bend the power cord or wrap it around the AC adaptor.

## Parts identification

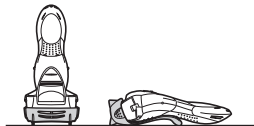


- A** Main body
- ① System outer foil
  - ② Cleaning shutter
  - ③ Side terminals
  - ④ Power switch
  - ⑤ Foil frame release button
  - ⑥ Water inlet
  - ⑦ Foil frame
  - ⑧ System outer foil release buttons
  - ⑨ Inner blades
  - ⑩ Outer foil section
  - ⑪ Trimmer
  - ⑫ Trimmer handle
- B** AC adaptor (RE7-70)
- ⑬ Charging terminal
  - ⑭ Charge indicator lamp
  - ⑮ Power cord
- C** Carrying holder

## Using the carrying holder

The shaver can be kept vertically or horizontally. When transporting the shaver, you can use the carrying holder to protect the outer foil and prevent erroneous operation of the switch.

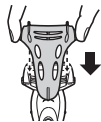
- When transporting the shaver, be sure to clean off any shavings before attaching the carrying holder.



## Attaching the carrying holder

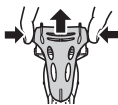
Attach the carrying holder as illustrated.

- Check that all four protrusions on the shaver are inserted securely.



## Removing the carrying holder

Remove the carrying holder while pressing down on both sides.



# Charge

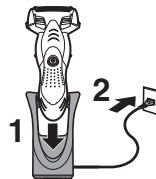
## Charging the shaver

Perform the following steps to charge the shaver if it seems to lose speed.

You can charge the shaver with the carrying holder attached.

### 1 Turn off the shaver and insert it in the AC adaptor until it clicks as illustrated.

- Wipe off any water droplets on the side terminals.
- If you charge the shaver with the power switch turned on, it will start working when you remove the shaver from the AC adaptor.



### 2 Put the plug into a household outlet.

The charge indicator lamp glows red.

- Charging is completed after approx. 15 hours.
- When charging the shaver for the first time, or when it has not been in use for more than 6 months, the charge indicator lamp may not glow for a few minutes, or the operating time may shorten. Please charge it for more than 23 hours in such cases.
- If the shape of the plug does not fit the power outlet, use an attachment plug adaptor with proper configuration.

### 3 Disconnect the plug after charging is complete.

- Charging the battery for more than 15 hours will not affect battery performance.
- Recommended ambient temperature for charging is 0 - 35 °C (32 - 95 °F). The battery may not charge under extreme low or high temperatures.

- The charge indicator lamp glows and stays on until the plug is disconnected from a household outlet.
- A full charge will supply enough power for approx. 7 shaves of 3 minutes each. (This will differ depending on usage.)

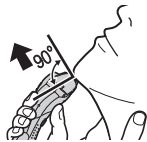
You cannot operate the shaver while charging.

## Shave

### Using the shaver



**1** Press the power switch.



**2** Hold the shaver as illustrated above and shave.

Start shaving by applying gentle pressure to your face. Stretch your skin with your free hand and move the shaver back and forth in the direction of your beard. You may gently increase the amount of pressure as your skin becomes accustomed to this shaver. Applying excessive pressure does not provide a closer shave.

You can also use a pen grip to hold the shaver.



### Caution

- Before shaving, check that the cleaning shutter is closed.
- Do not place your fingers on the power switch while using the shaver. This may cause the shaver to turn off.
- Do not use shaving creams or face cleansers containing scrubbing compounds as these may cause the outer foil to clog.

### Using the trimmer

Slide the trimmer handle up. Place at a right angle to your skin and move downwards to trim your sideburns.



- We recommend using the shaver in an ambient temperature range of 0 - 35 °C (32 - 95 °F). If used outside this range, the appliance may stop operating.

## Clean

### Cleaning the shaver

1. Remove the shaver from the AC adaptor.
2. Apply some hand soap and some water to the outer foil.
  - Close the cleaning shutter.
3. Turn the shaver on.



### To remove light dirt

- Slide the cleaning shutter until it clicks.



- Clean the outer foil section with running water.



- Turn the shaver off.
  - Rinse with water and shake up and down several times to remove the water.

### For heavy dirt

- Turn the shaver off after 10 - 20 seconds.
- Remove the outer foil section and turn the shaver on.
- Clean the shaver and the outer foil section with running water.



- Rinse with water and shake up and down several times to remove the water.

- Wipe off any drops of water with a dry cloth.
- Dry the outer foil section and the shaver completely in a shaded area.
- Attach the outer foil section to the shaver.
  - Open the cleaning shutter.
  - The outer foil section will dry faster if removed from the main body.

8



## Replacing the system outer foil and the inner blades

system outer foil	once every year
inner blades	once every two years

### Removing the outer foil section

Press the foil frame release button and lift the outer foil section upwards.

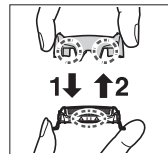
### Attaching the outer foil section

After turning the water inlet surface to the front, securely attach the outer foil section to the shaver until it clicks.



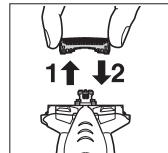
### ▶ Replacing the system outer foil

- Press the system outer foil release buttons and pull down the system outer foil.
- Align the water inlet surface and the system outer foil mark ( $\Delta$ ) and securely attach together.
  - The system outer foil cannot be reversely attached.
  - Always insert the system outer foil to the foil frame when attaching to the shaver.



### ▶ Replacing the inner blades

- Remove the inner blades one at a time.
  - Do not touch the edges (metal parts) of the inner blades to prevent injury to your hand.
- Insert the inner blades one at a time until they click.



## ► Replacement parts

Replacement parts are available at your dealer or Service Center.

Replacement parts for ES-SL41	System outer foil and inner blades	WES9013
	System outer foil	WES9087
	Inner blades	WES9068

## Removing the built-in rechargeable battery

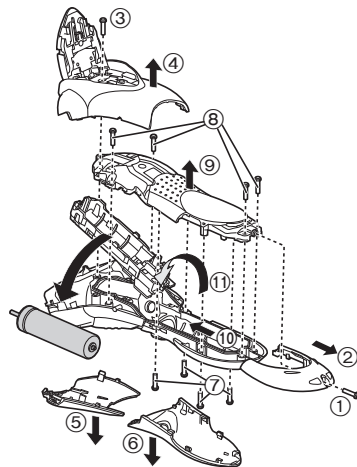
### ATTENTION:

A nickel metal hydride battery that is recyclable powers the product you have purchased. Please call 1-800-8-BATTERY for information on how to recycle this battery.



Remove the built-in rechargeable battery before disposing of the shaver. Do not dismantle or replace the battery so that you can use the shaver again. This could cause fire or an electric shock. Please contact an authorised service center. The battery replacing service is available only in the United States of America.

- Remove the shaver from the AC adaptor when removing the battery.
- Perform steps ① to ⑪ and lift the battery, and then remove it.



## Specifications

Power source	See the name plate on the AC adaptor.
Motor voltage	1.2 V $\text{---}$
Charging time	Approx. 15 hours

This product is intended for household use only.



#### Federal Communication Commission Interference Statement

This equipment has been tested and found to comply with the limits for a Class B digital device, pursuant to Part 15 of the FCC Rules. These limits are designed to provide reasonable protection against harmful interference in a residential installation. This equipment generates, uses and can radiate radio frequency energy and, if not installed and used in accordance with the instructions, may cause harmful interference to radio communications. However, there is no guarantee that interference will not occur in a particular installation. If this equipment does cause harmful interference to radio or television reception, which can be determined by turning the equipment off and on, the user is encouraged to try to correct the interference by one of the following measures:

- Reorient or relocate the receiving antenna.
- Increase the separation between the equipment and receiver.
- Connect the equipment into an outlet on a circuit different from that to which the receiver is connected.
- Consult the dealer or an experienced radio/TV technician for help.

FCC Caution: To assure continued compliance, install and use in accordance with provided instructions. Any changes or modifications not expressly approved by the party responsible for compliance could void the user's authority to operate this equipment.

This device complies with part 15 of the FCC Rules. Operation is subject to the following two conditions: (1) This device may not cause harmful interference, and (2) this device must accept any interference received, including interference that may cause undesired operation.

**FOR YOUR CONVENIENCE, WE HAVE ESTABLISHED A TOLL-FREE (IN USA ONLY) NATIONAL ACCESSORY PURCHASE HOT LINE AT 1-800-332-5368. IN CANADA, CONTACT PANASONIC CANADA INC. AT THE ADDRESS OR TELEPHONE NUMBER ON THE BACK PAGE.**

# CONSIGNES DE SÉCURITÉ IMPORTANTES

Lors de l'utilisation d'un appareil électrique, il faut toujours prendre des précautions de base, y compris les suivantes:

Lisez toutes les instructions avant d'utiliser cet appareil.

## **DANGER** Afin de réduire tout risque d'électrocution:

1. Ne touchez pas un appareil qui est tombé dans l'eau. Débranchez-le immédiatement.
2. N'immergez ni n'utilisez le chargeur dans la douche.
3. Ne placez ni ne rangez l'appareil là où il peut tomber ou être précipité dans une baignoire ou un évier. Ne déposez ou n'échappez pas dans l'eau ou dans un autre liquide.
4. Débranchez toujours cet appareil de la prise électrique immédiatement après usage, excepté pendant la charge.
5. Débranchez cet appareil avant de le nettoyer.
6. N'employez pas de rallonge avec cet appareil.

## **MISES EN GARDE** Afin de réduire le risque de brûlures, d'incendie, d'électrocution ou de blessures corporelles:

1. Une grande vigilance est nécessaire lorsque cet appareil est utilisé par des enfants ou des personnes handicapées, sur eux ou en leur présence.

2. Utilisez cet appareil uniquement pour son usage prévu, comme le décrit le présent manuel. N'utilisez pas d'accessoires qui ne sont pas recommandés par le fabricant.
3. N'utilisez jamais cet appareil si le cordon ou la fiche est endommagé, s'il ne fonctionne pas correctement, s'il est tombé, endommagé ou tombé dans l'eau. Retournez l'appareil à un centre de réparation pour le faire inspecter et réparer.
4. Gardez le cordon éloigné des surfaces chauffées.
5. Ne faites jamais tomber ou n'insérez pas un objet dans les ouvertures de l'appareil.
6. N'utilisez pas à l'extérieur, dans des endroits où des aérosols (pulvérisateurs) sont utilisés ou là où de l'oxygène est administré.
7. N'utilisez pas ce rasoir avec des lames de rasage et/ou une grille endommagées, car il pourrait provoquer des blessures au visage.
8. Branchez toujours la fiche à l'appareil en premier, puis pour débrancher, commutez toutes les commandes sur "arrêt".

## **CONSERVEZ LES PRÉSENTES INSTRUCTIONS**

Merci d'avoir choisi un rasoir Panasonic ES-SL41. Grâce à notre technologie SEC/MOUILLÉ, vous pouvez profiter de votre rasoir Panasonic au sec, sous la douche ou dans votre bain pour un rasage doux et facile. Nous vous conseillons de lire toutes les instructions avant de l'utiliser.

## Important

Ce rasoir est doté d'une batterie rechargeable. Ne la jetez pas dans le feu, ne la chauffez pas ou ne la chargez pas, ne l'utilisez pas ou ne la laissez pas dans un environnement à haute température.

### ► Avant utilisation

Ce rasoir sec/mouillé est utilisable sur peau sèche ou peau mouillée avec du gel de rasage. Vous pouvez utiliser ce rasoir étanche sous la douche et le nettoyer sous l'eau. Ce symbole signifie que le rasoir peut être utilisé dans le bain ou sous la douche.



Essayez le rasage mouillé au gel pendant un minimum de trois semaines et vous verrez la différence! Il vous faudra un peu de temps pour vous habituer à votre rasoir Panasonic sec/mouillé car votre peau et votre barbe ont besoin d'un mois environ pour s'adapter à une nouvelle méthode de rasage.

### ► Utilisation du rasoir

#### Attention

La grille de protection est très fine et peut être endommagée en cas d'utilisation incorrecte. Vérifiez que la grille n'est pas endommagée avant d'utiliser le rasoir. N'utilisez pas le rasoir si la grille de protection est endommagée car vous pourriez vous couper la peau.

- Cessez de l'utiliser s'il présente une anomalie ou une panne.

- N'utilisez pas une force excessive pour appliquer la grille de protection sur votre lèvre ou toute autre partie de votre visage. N'appliquez pas la grille de protection directement sur une peau impropre ou blessée.
- Ne partagez pas votre rasoir avec des membres de votre famille ou d'autres personnes. Cela pourrait entraîner une infection ou une inflammation.
- Cet appareil n'a pas été conçu pour être utilisé par des personnes (enfants y compris) souffrant d'un handicap physique, sensoriel ou mental, ou ne disposant pas de l'expérience et des connaissances nécessaires à une utilisation sûre, à moins qu'elles aient reçu toutes les consignes requises par la personne responsable de leur sécurité quant à l'utilisation de l'appareil. Ne laissez pas un enfant jouer avec l'appareil.

### ► Chargement du rasoir

- N'utilisez jamais l'adaptateur CA dans la salle de bain ou sous la douche.
- Utilisez uniquement l'adaptateur CA dédié (RE7-70). N'utilisez pas l'adaptateur CA dédié pour charger d'autres appareils.
- Insérez la fiche dans une prise secteur qui n'est pas humide et manipulez-la en ayant les mains sèches.
- Tenez la fiche lorsque vous la débranchez de la prise secteur. Si vous tirez le cordon d'alimentation, vous risquez de l'endommager.
- Le cordon d'alimentation ne peut pas être remplacé. S'il est endommagé, l'adaptateur CA doit être mis au rebut.
- Il convient de placer l'adaptateur CA à la verticale ou sur le plancher.

### ► Nettoyage du rasoir

#### Avertissement

Débranchez la fiche de la prise secteur avant le nettoyage pour éviter tout choc électrique.

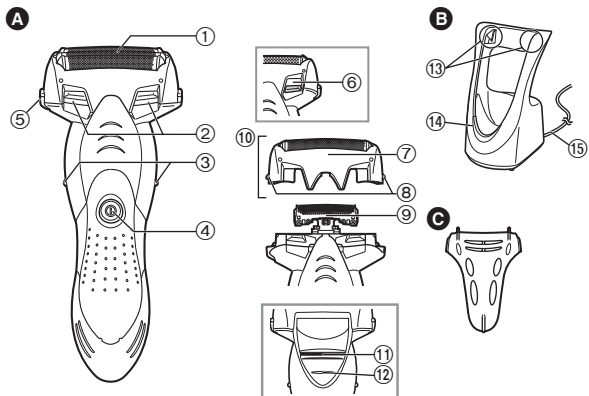
- Veillez à ce que les deux lames intérieures soient insérées. Si une seule lame est insérée, le rasoir peut être endommagé.
- Si vous nettoyez le rasoir à l'eau, veillez à ne pas utiliser d'eau salée ou d'eau chaude. Ne laissez pas tremper le rasoir dans l'eau pendant une trop longue période.

- Nettoyez le boîtier uniquement avec un tissu imbibé d'eau courante ou d'eau courante savonneuse. N'utilisez pas de solvant, d'essence, d'alcool ou d'autres produits chimiques.
- N'utilisez pas d'eau pour laver l'adaptateur CA.

#### ► Rangement du rasoir

- Lors du rangement du rasoir, mettez-le toujours dans le support pour éviter d'endommager la grille de protection.
- Conservez le rasoir dans un endroit sec après usage.
- Ne conservez pas le rasoir dans un endroit exposé au soleil ou à d'autres sources de chaleur.
- Enlevez le rasoir de l'adaptateur CA lors du rangement.
- Ne pliez pas le cordon d'alimentation et ne l'enroulez pas autour de l'adaptateur CA.

## Identification des pièces



#### A Corps principal

- ① Grille de protection du système
- ② Volet de nettoyage
- ③ Points de contact latéraux
- ④ Bouton de mise en marche
- ⑤ Bouton de déverrouillage du cadre de grille de protection
- ⑥ Entrée d'eau
- ⑦ Cadre de la grille de protection
- ⑧ Boutons de déverrouillage de la grille de protection du système
- ⑨ Lames intérieures

#### ⑩ Section de la grille de protection

- ⑪ Tondeuse escamotable
- ⑫ Levier de la tondeuse escamotable

#### B Adaptateur CA (RE7-70)

- ⑬ Borne de chargement
- ⑭ Témoin lumineux de charge
- ⑮ Cordon d'alimentation

#### C Support

### Utiliser le support

Il est possible de laisser le rasoir à la verticale ou à l'horizontale. Pour transporter le rasoir, vous pouvez employer le support pour protéger la grille de protection et pour empêcher que le commutateur ne déclenche l'appareil par erreur.

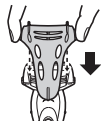
- Lorsque vous transportez le rasoir, assurez-vous de bien le nettoyer avant de le fixer au support.



### Fixer le support

Fixez le support comme indiqué.

- Vérifiez que chacune des quatre protubérances du rasoir est insérée solidement.



### Enlever le support

Enlevez le support tout en appuyant des deux côtés.



## Chargement

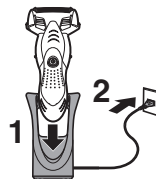
### Chargement du rasoir

Suivez les étapes suivantes pour charger le rasoir s'il paraît perdre de la vitesse.

Il est possible de recharger le rasoir avec le support fixé.

- 1 Mettez le rasoir hors marche et placez-le sur l'adaptateur CA de la façon indiquée jusqu'à ce qu'il s'encliquète.**

- Essuyez, si nécessaire, toutes gouttes d'eau situées sur les points de contact latéraux.
- Si vous rechargez le rasoir avec le bouton de mise en marche sur ON, il va fonctionner dès que vous l'enlèverez de l'adaptateur CA.



- 2 Insérez la fiche dans une prise secteur.**

Le témoin lumineux de charge s'allume en rouge.

- La recharge est terminée après environ 15 heures.
- Lorsque vous chargez le rasoir pour la première fois ou s'il n'a pas été utilisé pendant plus de 6 mois, le témoin lumineux de charge risque de ne pas s'allumer pendant quelques minutes, et la durée de fonctionnement pourrait être réduite. Veuillez charger le rasoir pendant plus de 23 heures dans un tel cas.
- Si la forme de la fiche ne correspond pas à la prise de courant, utilisez un adaptateur de prise de la même configuration.

- 3 Débranchez la fiche une fois la recharge terminée.**

- Recharger la batterie pendant plus de 15 heures n'affectera pas les performances de la batterie.

- La température ambiante recommandée pour la charge est de 0 – 35 °C (32 – 95 °F). Les performances de la batterie peuvent se dégrader ou la batterie risque de ne pas se charger en cas de températures extrêmement basses ou élevées.
- Le témoin lumineux de charge s'allume et reste allumé jusqu'à ce que la fiche soit retirée de la prise secteur.
- Une pleine charge permettra d'effectuer environ 7 rasages de 3 minutes chacun. (Cela dépend des conditions d'utilisation.)

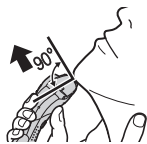
Vous ne pouvez pas utiliser le rasoir lorsqu'il est en cours de chargement.

## Rasage

### Utilisation du rasoir



**1** Appuyez sur le bouton de mise en marche.



**2** Tenez le rasoir comme illustré ci-dessus et rasez-vous.

Commencez à vous raser en appuyant légèrement sur votre visage. Tendez votre peau à l'aide de l'autre main et faites des allers-retours en direction de la barbe. Vous pouvez appuyer un peu plus au fur et à mesure que votre peau s'habitue au rasoir. Néanmoins, le fait d'appuyer très fort n'augmente pas l'efficacité du rasage.

Vous pouvez également utiliser une prise stylo pour tenir le rasoir.



### Attention

- Avant de vous raser, vérifiez que le volet de nettoyage est fermé.
- Ne touchez pas le bouton de mise en marche pendant l'utilisation du rasoir. Cela risquerait de mettre le rasoir hors marche.
- N'utilisez pas de crème de rasage ou de nettoyant visage contenant des agents exfoliants car ils pourraient obstruer la grille de protection.

### Utilisation de la tondeuse escamotable

Faites glisser le levier de la tondeuse escamotable vers le haut. Positionnez la tondeuse escamotable à angle droit sur votre peau et descendez pour tailler vos favoris.



- La température ambiante adéquate pour l'utilisation est de 0 – 35 °C (32 – 95 °F). Si vous utilisez l'appareil au-delà de la plage proposée, il risque de cesser de fonctionner.

## Entretien

### Nettoyage du rasoir

1. Enlevez le rasoir de l'adaptateur CA.
2. Nettoyez la grille de protection avec de l'eau savonneuse.
  - Fermez le volet de nettoyage.
3. Mettez le rasoir en marche.



#### Pour enlever les petites saletés

4. Faites glisser le volet de nettoyage jusqu'à ce qu'il s'encliquète.



5. Nettoyez la section de la grille de protection à l'eau courante.



6. Mettez le rasoir hors marche.
  - Rincez avec de l'eau et secouez plusieurs fois pour enlever l'eau.

#### Pour les grosses saletés

4. Mettez le rasoir hors marche après 10 – 20 secondes.
5. Retirez la section de la grille de protection et mettez le rasoir en marche.
6. Nettoyez le rasoir et la section de la grille de protection avec de l'eau courante.



- Rincez avec de l'eau et secouez plusieurs fois pour enlever l'eau.

7. Essuyez toute trace d'eau à l'aide d'un chiffon sec.
8. Séchez complètement la section de la grille de protection et le rasoir dans un endroit ombragé.
9. Positionnez la section de la grille de protection au rasoir.
  - Ouvrez le volet de nettoyage.
  - La section de la grille de protection séchera plus vite si elle est détachée du corps principal.

8



## Remplacement de la grille de protection du système et des lames intérieures

grille de protection du système	une fois par an
lames intérieures	une fois tous les deux ans

### Détacher la section de la grille de protection

Appuyez sur les boutons de déverrouillage du cadre de la grille de protection et soulevez la section de la grille de protection.

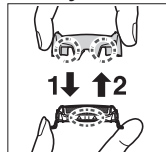
### Fixer la section de la grille de protection

Après avoir fait pivoter la surface de l'entrée d'eau vers l'avant, fixez solidement la section de la grille de protection au rasoir, en s'assurant qu'elle s'encliquète.



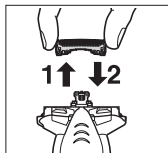
### ► Remplacement de la grille de protection du système

1. Appuyez sur les boutons de déverrouillage de la grille de protection du système et abaissez la grille de protection du système.
2. Alignez la surface de l'entrée d'eau et la marque de la grille de protection du système (△) et fixez-la solidement.
  - La grille de protection du système ne peut pas être montée à l'envers.
  - Remplacez la grille de protection du système dans son cadre de support avant de la fixer au rasoir.



## ► Remplacement des lames intérieures

1. Retirez les lames intérieures, une par une.
  - Ne touchez pas le fil (partie métallique) des lames intérieures pour ne pas vous blesser les mains.
2. Insérez les lames intérieures, une par une, jusqu'à entendre le bruit d'enclenchement.



## ► Pièces de remplacement

Les pièces de rechange sont disponibles chez votre marchand ou dans votre centre de service après-vente.

Pièces de remplacement pour ES-SL41	Grille de protection du système et lames intérieures	WES9013
	Grille de protection du système	WES9087
	Lames intérieures	WES9068

## Retrait de la batterie rechargeable intégrée

### ATTENTION:

L'appareil que vous vous êtes procuré est alimenté par une pile au nickel-métal-hydrure (NiMH). Pour des renseignements sur le recyclage de la pile, veuillez composer le 1-800-8-BATTERY.

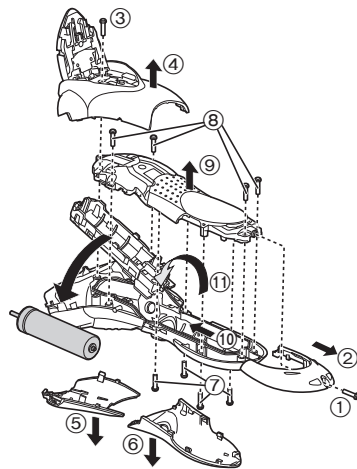


Retirez la batterie rechargeable intégrée avant de mettre le rasoir au rebut. Ne démontez pas ou ne remplacez pas la batterie afin de pouvoir utiliser le rasoir à nouveau. Cela pourrait créer un risque d'incendie ou d'électrocution.

Veuillez contacter un centre de service agréé.

Le service de remplacement de batterie n'est disponible qu'aux États-Unis.

- Retirez le rasoir de l'adaptateur CA avant de retirer la batterie.
- Effectuez les étapes de ① à ⑪, surélevez la batterie, et retirez-la.



## Caractéristiques techniques

Source d'alimentation	Voir la plaque signalétique sur l'adaptateur CA.
Tension du moteur	1,2 V===
Temps de chargement	Approx. 15 heures

Ce produit est destiné à une utilisation domestique uniquement.



#### Déclaration sur le brouillage radioélectrique de la Commission fédérale des communications

Le présent équipement a fait l'objet d'essais et a été jugé conforme aux limites pour un dispositif numérique de classe B, en vertu du Chapitre 15 des règlements de la FCC. Ces limites sont conçues pour fournir une protection raisonnable contre les interférences nuisibles lorsque l'appareil fonctionne dans une installation résidentielle. Le présent équipement génère, utilise et peut émettre de l'énergie RF s'il n'est pas installé et utilisé conformément au mode d'emploi, ce qui peut provoquer des interférences nuisibles aux communications radio. Cependant, il n'y a aucune garantie que les interférences ne surviendront pas dans une installation particulière. Si cet équipement émet des interférences nuisibles à la réception de la radio ou de la télévision, ce qui peut être déterminé lors de la mise en marche puis hors marche de l'équipement, l'utilisateur doit corriger ces interférences en prenant l'une des mesures suivantes:

- Réorienter ou déplacer l'antenne réceptrice.
- Augmenter la distance entre l'équipement et le récepteur.
- Connecter l'équipement à la prise d'un circuit différent de celui sur lequel le récepteur est connecté.
- Consulter le détaillant ou un technicien spécialisé en radio/TV pour obtenir de l'aide.

Avertissement de la FCC: Pour assurer une conformité continue, installer et utiliser conformément aux consignes fournies. Quelque changement ou modification non expressément approuvé(e) par la partie responsable de la conformité pourrait annuler l'autorité de l'utilisateur à faire fonctionner le présent équipement.

Cet appareil est conforme à la partie 15 des règlements de la FCC. L'utilisation est soumise aux deux conditions suivantes: (1) Cet appareil ne doit pas provoquer d'interférences nuisibles et (2), cet appareil doit supporter toute interférence reçue, y compris les interférences pouvant provoquer un fonctionnement indésirable.

**POUR PLUS DE RENSEIGNEMENTS, COMMUNIQUEZ AVEC PANASONIC CANADA INC. À L'ADRESSE OU AU NUMÉRO DE TÉLÉPHONE INDIQUÉS À L'ENDOS DU MANUEL.**

## INSTRUCCIONES IMPORTANTES DE SEGURIDAD

Al utilizar un dispositivo eléctrico, Siempre deben tomarse algunas precauciones básicas, incluyendo las siguientes:

Lea todas las instrucciones antes de utilizar este dispositivo.

### **PELIGRO** Para reducir el riesgo de descargas eléctricas:

1. No intente alcanzar un dispositivo que se haya caído al agua. Desenchúfelo inmediatamente.
2. El cargador no debe sumergirse ni utilizarse en la ducha.
3. No coloque ni guarde el dispositivo donde pueda caerse en una bañera. No lo coloque ni lo deje caer en agua o algún otro líquido.
4. Excepto cuando lo esté cargando, desenchufe siempre este aparato de la toma eléctrica luego de utilizarlo.
5. Desenchufe este dispositivo antes de limpiarlo.
6. No utilice un cordón de extensión con este dispositivo.

### **ADVERTENCIA** Para reducir el riesgo de quemaduras, fuego, descargas eléctricas o lesiones:

1. Es necesaria una supervisión cercana cuando el dispositivo sea utilizado por, en, o cerca de niños o minusválidos.

2. Utilice este dispositivo solamente para el uso para el que se ha diseñado como se describe en este manual. No utilice ningún accesorio que no ha sido recomendado por el fabricante.
3. Nunca utilice el dispositivo si tiene el cordón o el enchufe dañado, si no funciona correctamente, o si se ha caído, dañado o mojado. Devuelva el dispositivo a un centro de servicio para examinarlo y repararlo.
4. Mantenga el cable alejado de las superficies calientes.
5. Nunca deje caer ni introduzca ningún objeto por cualquier abertura.
6. No utilice la afeitadora en exteriores o donde se estén utilizando aerosoles (spray) o donde se esté administrando oxígeno.
7. No utilice este dispositivo si las hojas de corte o las láminas están dañadas, ya que podría causarle heridas en la cara.
8. Siempre conecte primero el enchufe al dispositivo y, luego, al toma corriente. Para desconectarlo, coloque todos los controles en la posición "apagado" y, a continuación, retire el enchufe del toma corriente.

## GUARDE ESTAS INSTRUCCIONES

**Gracias por comprar una afeitadora Panasonic ES-SL41. Con nuestra tecnología WET/DRY, puede utilizar su afeitadora Panasonic en seco o en la ducha o bañera, para obtener un afeitado suave y sencillo. Por favor, antes de su uso, lea el folleto de instrucciones.**

## Importante

Esta afeitadora incorpora una batería recargable. No la arroje al fuego ni la esponga a altas temperaturas. Asimismo, no la cargue, utilice ni coloque en un entorno con temperaturas elevadas.

### ► Antes de utilizarlo

Esta afeitadora WET/DRY puede utilizarse para afeitado en mojado empleando espuma o para afeitado en seco. Puede utilizar esta afeitadora impermeable bajo la ducha y limpiarla con agua. El símbolo siguiente indica que puede utilizarse en una bañera o ducha.



Afeitese con espuma durante tres semanas y observe la diferencia. Su afeitadora Panasonic en Mojado/Seco requiere algo de tiempo para ajustarse debido a que su piel y barba necesitan alrededor de un mes para acostumbrarse a un nuevo método de afeitado.

### ► Utilización de la afeitadora

#### Precaución

**La lámina exterior es muy fina y puede dañarse si no se utiliza correctamente. Compruebe que la lámina no está dañada antes de utilizar la afeitadora. No utilice la afeitadora si la lámina está dañada, ya que podría cortarse la piel.**

- Si la afeitadora funciona incorrectamente o falla, deje de utilizarla.

- No ejerza una presión excesiva al aplicar la lámina exterior sobre el labio o cualquier otra parte de la cara. No aplique la lámina exterior directamente sobre imperfecciones de la piel o heridas.
- No comparta su afeitadora con sus familiares ni con otras personas. De lo contrario podría sufrir infecciones o inflamación.
- Este aparato no debe ser utilizado por personas (incluyendo niños) con capacidades físicas, sensoriales o mentales reducidas, o con falta de conocimiento y experiencia, a menos que se encuentren bajo supervisión o bajo instrucciones sobre el uso del aparato de una persona responsable de la seguridad. Supervise a los niños pequeños para asegurarse de que no se encuentren próximos al aparato.

### ► Carga de la afeitadora

- Nunca utilice el adaptador de CA en el cuarto de baño.
- Utilice únicamente el adaptador de CA (RE7-70). No utilice este adaptador de CA para cargar otros electrodomésticos.
- Inserte el enchufe en una toma de corriente donde no haya humedad y manéjelo con las manos secas.
- Sujete el enchufe al desconectarlo de la toma de corriente. Si tira del cable de alimentación, podría dañarlo.
- El cable de alimentación no puede sustituirse. Si el cable de alimentación presenta daños, debe desecharse el adaptador de CA.
- El adaptador de CA está preparado para orientarlo correctamente en una posición vertical o en el suelo.

### ► Limpieza de la afeitadora

#### Advertencia

**Para evitar una descarga eléctrica, desconecte el enchufe de la toma de corriente antes de limpiar el aparato.**

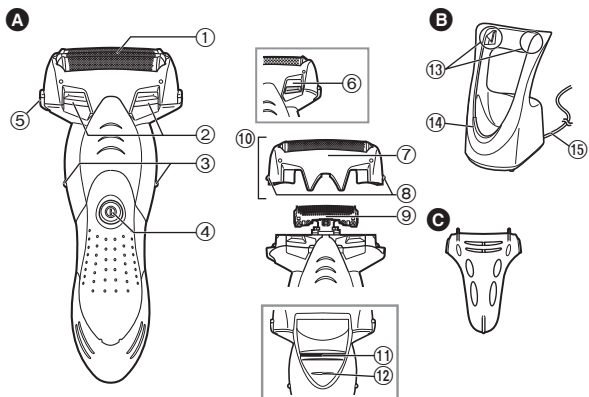
- Mantenga insertadas ambas cuchillas internas. Si solamente está insertada una de las cuchillas internas, la afeitadora podría dañarse.
- Si limpia la afeitadora con agua, no utilice agua salada ni agua caliente. No moje la afeitadora durante un largo periodo de tiempo.
- Limpie la carcasa sólo con un paño suave ligeramente humedecido con agua corriente o agua corriente y jabón. No utilice disolvente, bencina, alcohol ni otros productos químicos.

- No lave el adaptador de CA con agua.

#### ► Guardado de la afeitadora

- Cuando guarde la afeitadora, colóquela siempre en la funda, para evitar que la lámina exterior sufra arañazos.
- Después del uso, guarde la afeitadora en un lugar poco húmedo.
- No guarde la afeitadora en un lugar en el que esté expuesta a los rayos del sol u otras fuentes de calor.
- Cuando guarde la afeitadora, retire el adaptador de CA de la misma.
- No doble el cable de alimentación ni lo enrolle alrededor del adaptador de CA.

## Identificación de las partes



- |   |                                   |
|---|-----------------------------------|
| <b>A</b> Cuerpo principal                                 | ⑨ Cuchillas internas              |
| ① Lámina exterior del sistema                             | ⑩ Sección de la lámina exterior   |
| ② Cierre de limpieza                                      | ⑪ Cortapatillas                   |
| ③ Terminales laterales                                    | ⑫ Mango del cortapatillas         |
| ④ Interruptor de encendido                                | <b>B</b> Adaptador de CA (RE7-70) |
| ⑤ Botón de liberación del marco de la lámina              | ⑬ Terminal de carga               |
| ⑥ Entrada de agua   | ⑭ Indicador de carga              |
| ⑦ Marco de la lámina                                      | ⑮ Cable de alimentación           |
| ⑧ Botones de liberación de la lámina exterior del sistema | <b>C</b> Funda                    |

### Uso de la funda

La afeitadora puede guardarse vertical u horizontalmente. Cuando la transporte, puede utilizar la funda para proteger la lámina exterior y evitar que se accione el interruptor accidentalmente.

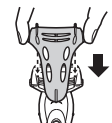
- Cuando transporte la afeitadora, asegúrese de limpiar cualquier resto antes de colocar la funda.



### Cómo colocar la funda

Coloque la funda tal y como se muestra en la ilustración.

- Compruebe que los cuatro salientes de la afeitadora están firmemente insertados.



### Cómo retirar la funda

Retire la funda ejerciendo presión en ambos lados.



## Carga

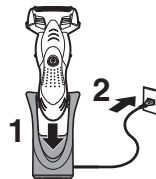
### Carga de la afeitadora

Cumpla con los siguientes pasos para cargar la afeitadora si parece perder la velocidad.

Puede cargar la afeitadora con la funda colocada.

- 1 Apague la afeitadora e insértela en el adaptador de CA hasta que se oiga un clic, según se muestra en la ilustración.**

- Limpie con un paño las gotas de agua de los terminales laterales.
- Si carga la afeitadora con el interruptor de encendido activado, esta empezará a funcionar cuando la retire del adaptador de CA.



- 2 Inserte el enchufe en la toma de corriente.**

La lámpara indicadora de carga se ilumina en rojo.

- La carga estará completa tras aproximadamente 15 horas.
- Cuando cargue la afeitadora por primera vez o cuando no la haya utilizado durante más de 6 meses, la luz indicadora de carga podría no iluminarse durante unos minutos o el tiempo de funcionamiento podría acortarse. Cárguela durante más de 23 horas en esos casos.
- Si el tipo de enchufe no encaja con el tomacorriente, utilice un adaptador de enchufe con la configuración adecuada.

- 3 Desconecte el enchufe una vez se haya completado la carga.**

- Cargar la batería durante más de 15 horas no afectará al rendimiento de la batería.

- La temperatura ambiente recomendada para la carga es de 0 – 35 °C (32 – 95 °F). El rendimiento de la batería podría verse afectado o la batería podría no cargarse bajo condiciones de temperatura extremadamente baja o alta.
- La lámpara indicadora de carga se ilumina y permanece así hasta que el enchufe se retira de la toma de corriente.
- Una carga completa proporcionará suficiente alimentación durante 7 afeitadas de 3 minutos cada una. (Esto puede variar dependiendo de la utilización.)

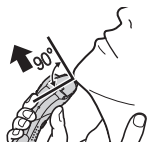
No puede hacer funcionar la afeitadora mientras se está cargando.

## Afeitado

### Utilización de la afeitadora



**1** Pulse el interruptor de encendido.



**2** Sujete la afeitadora como se muestra anteriormente y afeítese.

Comience a afeitarse aplicando una suave presión sobre la cara. Estire la piel con la mano libre y mueva la afeitadora hacia delante y atrás en la dirección de la barba. Puede incrementar la presión a medida que la piel se acostumbre a la afeitadora. Aplicar una presión excesiva no proporciona un afeitado más apurado.

También puede utilizar un sujetalápices para sujetar la afeitadora.



### Precaución

- Antes de afeitarse, compruebe que el cierre de limpieza está cerrado.
- No coloque los dedos en el interruptor de encendido mientras esté utilizando la afeitadora. Esto podría ocasionar que la afeitadora se apague.
- No utilice espuma de afeitar o productos de limpieza facial que contengan compuestos exfoliantes, ya que estos podrían obstruir la lámina exterior.

### Utilización del cortapatillas

Deslice el mango del cortapatillas hacia arriba. Colóquelo en ángulo recto con su piel y muévelo hacia abajo para recortar las patillas.



- La temperatura ambiente adecuada para el uso es de 0 - 35 °C (32 - 95 °F). Si utiliza el aparato a una temperatura fuera del rango recomendado, este puede dejar de funcionar.

## Limpieza

### Limpieza de la afeitadora

1. Retire la afeitadora del adaptador de CA.
2. Aplique jabón de manos y un poco de agua a la lámina exterior.
  - Cierre el cierre de limpieza.
3. Encienda la afeitadora.



#### Para eliminar pequeñas manchas

4. Deslice el cierre de limpieza hasta que se oiga un clic.



5. Limpie la sección de la lámina exterior con agua corriente.



6. Apague la afeitadora.
  - Enjuague con agua y agite varias veces para eliminar el agua.

7. Limpie las gotas de agua con un paño seco.
8. Seque completamente la sección de la lámina exterior y la afeitadora en una zona sombreada.
9. Monte la sección de la lámina exterior en la afeitadora.
  - Abra el cierre de limpieza.
  - La sección de la lámina exterior se secará más rápido si se retira del cuerpo principal.

8



#### Para limar manchas difíciles

4. Apague la afeitadora tras 10 – 20 segundos.
5. Retire la sección de la lámina exterior y encienda la afeitadora.
6. Limpie la afeitadora y la sección de la lámina exterior con agua corriente.



- Enjuague con agua y agite varias veces para eliminar el agua.

## Sustitución de la lámina exterior del sistema y las cuchillas internas

lámina exterior del sistema	una vez al año
cuchillas internas	una vez cada dos años

### Cómo retirar la sección de la lámina exterior

Pulse los botones de liberación del marco de la lámina y levante la sección de la lámina exterior hacia arriba.

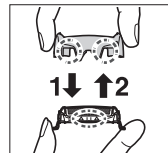
### Cómo colocar la sección de la lámina exterior

Tras girar la superficie de la entrada de agua hacia la parte frontal, acople firmemente la sección de la lámina exterior a la afeitadora, asegurándose de oír un clic.



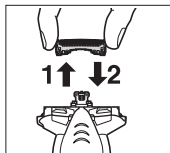
### ► Sustitución de la lámina exterior del sistema

1. Pulse los botones de liberación de la lámina exterior del sistema y tire de la lámina exterior del sistema hacia abajo.
2. Alinee la superficie de la entrada de agua y la marca de la lámina exterior del sistema (Δ) y acóplela firmemente.
  - La lámina exterior del sistema no puede ajustarse en forma inversa.
  - Siempre inserte la lámina exterior del sistema al marco de la lámina cuando la monte en la afeitadora.



## ► Sustitución de las cuchillas internas

1. Retire las cuchillas internas una a la vez.
  - No toque los bordes (partes de metal) de las cuchillas internas para evitar daños en las manos.
2. Inserte las cuchillas internas una a la vez hasta que estas hagan clic.



## ► Piezas de repuesto

Las piezas de repuesto están disponibles en su distribuidor o en el Centro de Servicio.

Partes de repuesto para el modelo ES-SL41	Lámina exterior y cuchillas internas del sistema	WES9013
	Lámina exterior del sistema	WES9087
	Cuchillas internas	WES9068

## Retirar la batería recargable interna

### ATENCIÓN:

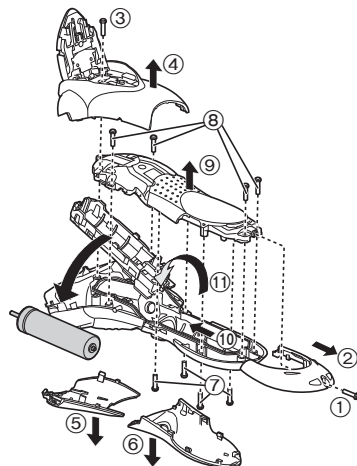
El producto que ha comprado se alimenta con una batería de hidruros de metal níquel (Ni-MH) reciclable. Llame al teléfono 1-800-8-BATTERY para obtener información acerca de cómo reciclar esta batería.



Retire la batería recargable interna antes de deshacerse de la afeitadora. No desmonte ni sustituya la batería para utilizar de nuevo la afeitadora. Podría causar un incendio o una descarga eléctrica. Póngase en contacto con un centro de servicio autorizado.

El servicio de reemplazo de batería está disponible solamente en los Estados Unidos de América.

- Quite la afeitadora del adaptador de CA cuando extraiga la batería.
- Lleve a cabo los pasos ① a ⑪ y levante la batería, después retírela.



## Especificaciones

Fuente de alimentación	Anote el número de placa que se encuentra en el adaptador de CA.
Voltaje del motor	1,2 V===
Tiempo de carga	Aproximadamente 15 horas

Este producto está destinado solamente para su uso doméstico.



### Declaración de Interferencia de la Comisión Federal de Comunicaciones

Este equipo ha sido probado y se encuentra en conformidad con los límites establecidos para dispositivos digitales de la Clase B, en aplicación de lo dispuesto en la Sección 15 de los lineamientos de la CFC. Estos límites han sido diseñados para proporcionar protección razonable contra la interferencia perjudicial en una instalación residencial. Este equipo genera, usa y puede irradiar energía de radio frecuencia y, si no se instala y se usa en conformidad con las instrucciones proporcionadas, podría ocasionar interferencia perjudicial a las radio comunicaciones. Sin embargo, no está garantizado que no se presentará ninguna interferencia en una instalación en particular. Si este equipo ocasiona interferencias perjudiciales en la recepción de radio o de televisión, lo cual se puede determinar apagando y encendiendo el equipo, se le pide al usuario tratar de corregir la interferencia mediante la realización de una de las siguientes medidas:

- Cambie de orientación o de lugar la antena de recepción.
- Incremente la separación entre el equipo y el receptor.
- Conecte el equipo en una toma de corriente que sea de un circuito diferente a aquel en el que está conectado el receptor.
- Póngase en contacto con el distribuidor o con un técnico experimentado en radio/TV para solicitar ayuda.

Precauciones de la CFC: Para garantizar la conformidad de forma continua, instale y use el aparato de acuerdo a las instrucciones proporcionadas. Cualquier cambio o modificación que se realice que no esté aprobado por la parte responsable de la conformidad podría invalidar la autoridad del usuario para usar este equipo.

Este dispositivo está en conformidad con la parte 15 de la normativa de la FCC. El funcionamiento está sujeto a las siguientes dos condiciones: (1) Este dispositivo no puede causar interferencias perjudiciales, y (2) este dispositivo debe aceptar cualquier interferencia recibida, incluyendo interferencias que podrían producir un funcionamiento no deseado.

**PARA SU CONVENIENCIA, AHORA DISPONEMOS DE UNA LÍNEA NACIONAL DE LLAMADA GRATIS PARA LA COMPRA DE ACCESORIOS (SOLAMENTE EN USA); LLAME AL 1-800-332-5368.**





**IN USA CONTACT:**

Panasonic Corporation of North America  
One Panasonic Way, Secaucus, NJ 07094

**IN CANADA CONTACT:****AU CANADA, COMMUNIQUEZ AVEC:**

Panasonic Canada Inc.  
5770 Ambler Drive, Mississauga, Ontario L4W 2T3  
(905) 624-5010

**EN MEXICO CONTACTE CON:**

Panasonic de México S.A. de C.V.  
Félix Cuevas No. 6 Piso 2 y 3  
Col. Tlacoquemecatl Del Valle  
Del. Benito Juárez  
México, D.F. C.P.03200  
01 (55) 5488-1000

**EN PANAMA CONTACTE CON:**

Panasonic Latin America. S.A.  
P.O. Box 0816-03164  
Panama, Republic of Panama  
(507) 229-2955

**Service • Assistance • Accessories**  
**Dépannage • Assistance • Accessoires**

Call 1-800-338-0552 (In USA)

<http://www.panasonic.com/shavers/>

<http://www.panasonic.com/consumersupport/>

Call 1-800-561-5505 (In Canada)

Composer le 1-800-561-5505 (Au Canada)

<http://www.panasonic.ca/>