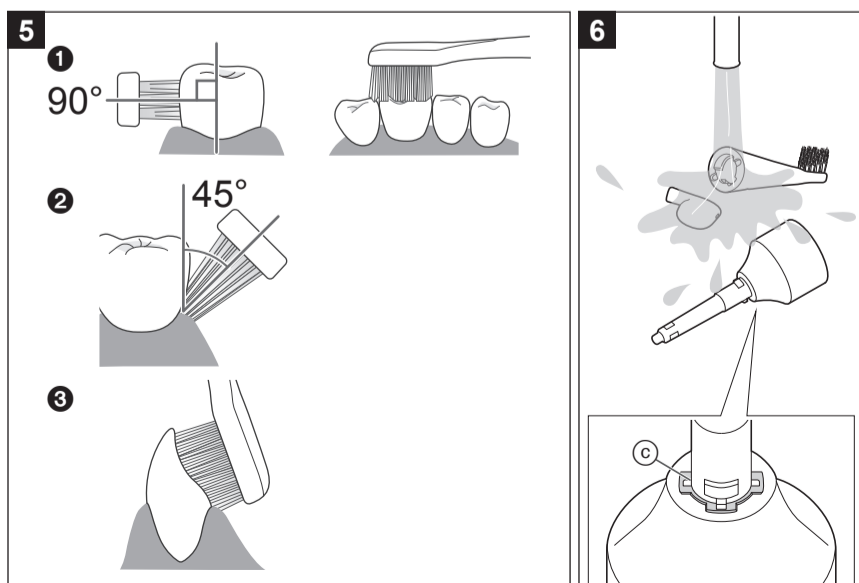
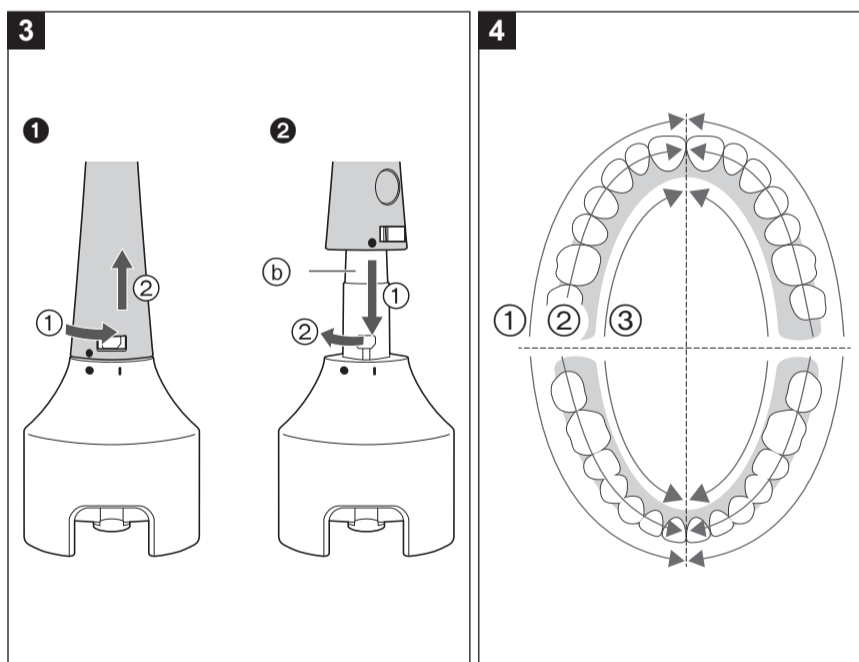
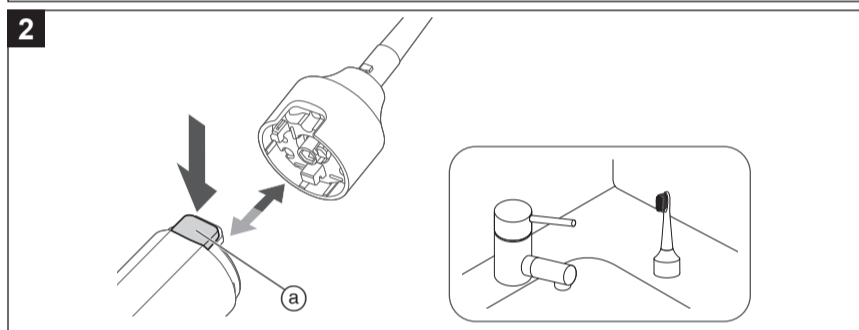
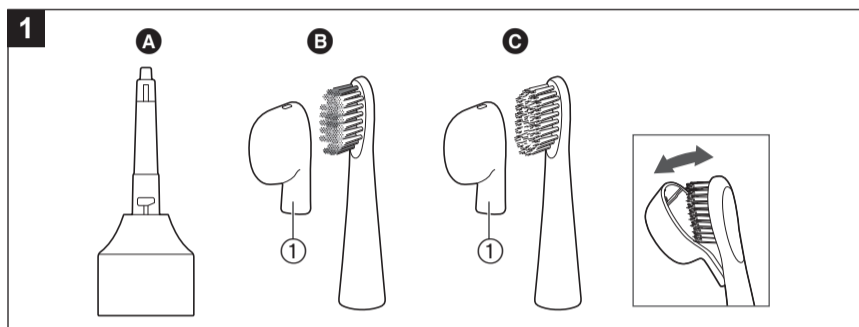
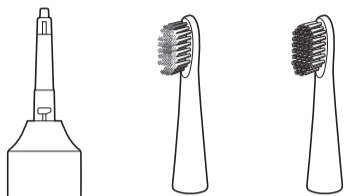


Panasonic

Operating Instructions (Household use) Toothbrush Head Model No. ER-CTB1



Safety precautions

Follow these instructions.

To prevent accidents, injuries or damage to property, please follow the instructions below.

- The following chart indicates the degree of damage caused by improper operation.

WARNING Indicates potential hazard that could result in serious injury or death.

CAUTION Indicates potential hazard that could result in minor injury or property damage.

WARNING

Preventing accidents

- Do not place within reach of children or infants. Do not let them use it.
- Putting parts or accessories in the mouth may cause an accident or injury.

CAUTION

Preventing damage to teeth and gums

- Do not use the appliance with toothpaste that contains a high abrasive content, such as toothpaste for removing tar or for whitening.
 - Do not apply the brush firmly against teeth or gums, or use it continuously against the same spot.
 - Do not apply the plastic part of the main body or head to teeth.
 - Do not let anyone who cannot operate the appliance by themselves use it.
 - People with low sensitivity in their mouth should not use the appliance.
 - Doing so may cause injury or damage to teeth and gums.
 - People who may have periodontal disease, or concerned about symptoms within their mouth should consult a dentist before use.
 - Failure to do so may cause injury or damage to teeth and gums.
 - Do not use the appliance for any purpose other than cleaning your teeth.
 - Doing so may cause an accident or injury.
- Note the following precautions**
- Do not share with your family or other people.
 - Doing so may result in infection or inflammation.

Important information

- When you first begin using the appliance, you may experience slight bleeding of the gums even though your gums may be healthy. This is because your gums are receiving stimulation by the appliance for the first time. The bleeding should stop after one or two weeks of use.
 - Bleeding that persists for more than two weeks may be indication of an abnormal condition of your gums, such as periodontal disease. In this case, stop using the appliance and consult your dentist.

Parts identification (Fig. 1)

- A** Head
- B** Multi-fit brush
 - ① Protective cap
- C** Extra-fine brush
 - ① Protective cap

How to use

- Mount the head to the main body until it clicks.
- Mount the brush to the head.
 - Apply a small amount of toothpaste.
- Place the brush in your mouth.
 - To avoid splashing of toothpaste, put the head in your mouth before turning the power on.
- Turn on the power.

- When first using this appliance, some people may experience a tickling or tingling sensation caused by the sonic vibrations. The sensation should subside after you use the brush several more times.

5 Turn off the main body when you have finished brushing.

- Turn off the main body before removing it from your mouth to prevent saliva from splashing.

Note

- The use time after a full charge is as follows.
 - ER-CBL1: 110 minutes
 - ER-CBN1: 70 minutes
 - (Use time may vary depending on ambient temperature and use conditions.)

Quick charge (ER-CBL1 only)

Even though the battery runs out, you can use for 5 minutes after 3-minute charge. (This will differ depending on usage.)

Removing and mounting the head (Fig. 2)

- Make sure that the main body is turned off.

Remove the head while pushing the head release button (Ⓐ).

- Stand the head when it is removed.

Mount the head to the main body until it clicks.

Removing and mounting the brush

Rotate the head and align the marks and pull to remove the brush. (Fig. 3-1)

- Pulling the brush while it is fastened may damage the head or the main body.
- When toothpaste gets hard and makes it difficult to remove the head, put it in water or warm water for a while and then remove.

Align the mark on the brush with the mark on the head and rotate it in the direction of the arrow to mount the brush. (Fig. 3-2)

- Inserting the brush without aligning the mark on the brush with the mark on the head may damage the brush or brush shaft (Ⓒ).

Note

- The brush should be replaced with a new one every 3 months or so due to hygiene reasons, even if its shape is unchanged.

Never use the toothbrush head with damaged bristles. Replace before using.

Brushing

Brush your teeth by moving the main body by hand.

- Choose the brush head depending on use and area.

Multi-fit brush

When you want to make your teeth front surface and biting surface clean.

- You cannot brush the periodontal pocket.

Extra-fine brush

When you want to brush mainly the periodontal pockets or between the teeth and gums.

- You can also brush the teeth front surface and the biting surface.

Example brushing sequence (Fig. 4)

Divide your teeth into 4 parts (upper and lower, left and right), and brush one part in order such as "① front of the teeth", "② biting plane of the teeth", and "③ back of the teeth" spending 30 seconds. Repeat this same procedure for the other 3 areas.

By brushing the above 4 parts for 30 seconds each (about 2 minutes), you can evenly brush your teeth without missing any spots in your mouth.

Front surface and the biting surface of teeth (Fig. 5-1)

- Apply the brush head at a 90° angle.

Periodontal pocket and the boundary between the teeth and gums (Fig. 5-2)

- Use the extra-fine brush.
- Place the brush head at a 45° angle.

- Apply the bristles lightly into the periodontal pocket and move the toothbrush slowly.

► **For the back of the front teeth or misaligned teeth (Fig. 5-③)**

- Place the brush vertically.
- Move toothbrush to match the angle of the teeth.

Maintenance

How to clean

- Make sure that the main body is turned off.
- After cleaning, store the brush with the protective cap attached.

1 Remove the head and brush.

2 Rinse them with running water. (Fig. 6)

- Thoroughly rinse the inner and bottom of brush.

3 Wipe off the water with a dry cloth and dry it well.

Note

- Note the following precautions to avoid malfunction and damage.
 - Do not forcefully pull or force apart the bristles on the brush.
 - Do not wash the brush with water over 80 °C (176 °F).
 - Do not damage or rub the waterproof rubber seal (Ⓢ) with hard materials.
 - Do not wash the head with water over 40 °C (104 °F).
 - Do not immerse the appliance in water for a long time.
 - Do not hit the appliance on the sink or any other object while removing the water.
 - Do not dry the appliance with a dryer or a fan heater.
 - Do not wipe with thinner, benzine, alcohol etc.

Replacement parts

Replacement part is available at your dealer or Service Center.

- Color identification labels are included in the brush replacement package. The labels can be attached on the brush to identify users when they share the same toothbrush head.

Multi-fit brush	ER-6CT01
Extra-fine brush	ER-6CT02

Personal Care & Beauty Care Products

FOR USA ONLY

30-Day Quality Satisfaction Guarantee

If you are dissatisfied with any Panasonic Personal Care & Beauty Care Products for any reason, simply return it to the place of purchase with a dated proof of purchase, in the original packaging, with all accessories, parts and instructions, within 30 days of the date of purchase, for a full refund, or call Panasonic at 1-800-338-0552. Abuse or misapplication of this product voids the guarantee.

PRODUCT REGISTRATION
(U.S. customers only)

Go to www.panasonic.com/register and register your product now to receive these benefits:

Safety Notification

We contact our customers in case of recall

Owner Verification

Proof of purchase in case of product theft or loss

Efficient Warranty Service

In case there is a problem with your product

Special Offers and Promotions from Panasonic

FOR YOUR CONVENIENCE, WE HAVE ESTABLISHED A TOLL-FREE (IN USA ONLY) NATIONAL ACCESSORY PURCHASE HOTLINE AT 1-800-332-5368.

IN USA CONTACT:
Panasonic Corporation of North America
Two Riverfront Plaza, Newark, NJ 07102-5490

Service • Assistance • Accessories

Call 1-800-338-0552 (In USA)
<https://shop.panasonic.com/personal-care>
<https://shop.panasonic.com/support>
<https://www.panasonic.com>

Panasonic Manufacturing (Thailand) Co.,Ltd.
Navanakorn Industrial Estate, Zone 3, No.106 Moo 18,
Khlong 1, Khlong Luang, Pathum thani 12120, Thailand

© Panasonic Corporation 2022

Printed in Thailand
ER971WCTB11X
F0222-0

Ⓢ EN