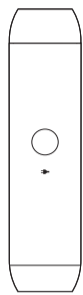
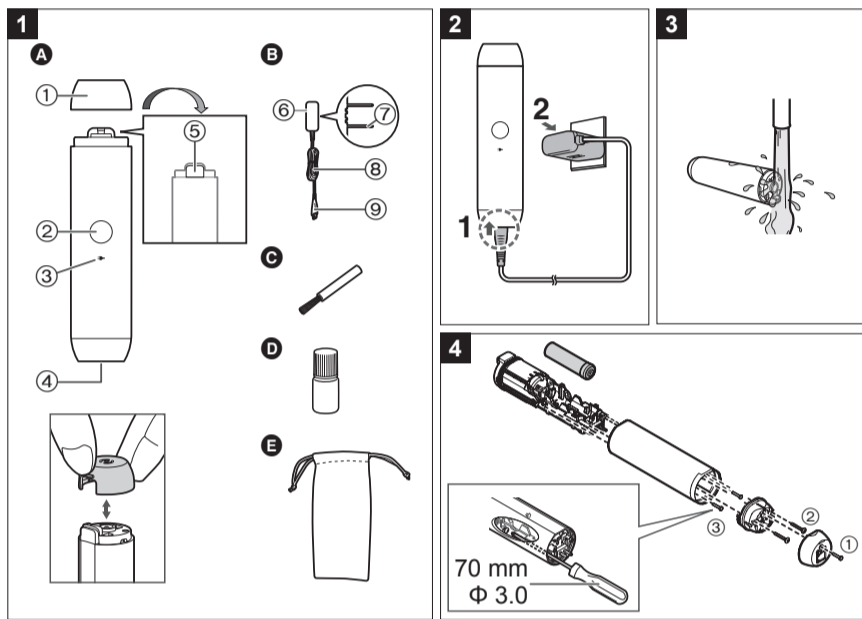


Panasonic

Operating Instructions (Household use) Li-ion Battery Main Unit Model No. ER-CBL1



Li



IMPORTANT SAFEGUARDS

When using electrical products, especially when children are present, basic safety precautions should always be followed, including the following:

READ ALL INSTRUCTIONS BEFORE USING.

DANGER To reduce the risk of electrocution:

1. Except when charging, always unplug this appliance from the electrical outlet immediately after using.
2. Unplug this appliance before cleaning.
3. Do not use while bathing.
4. Do not place or store product where it can fall or be pulled into a tub or sink.
5. Do not place in or drop into water or other liquid.
6. Do not reach for a product that has fallen into water. Unplug immediately.

WARNING To reduce the risk of burns, electrocution, fire, or injury to persons.

1. This appliance is not intended for use by persons (including children) with reduced physical, sensory or mental capabilities, or lack of experience and knowledge, unless they have been given supervision or instruction concerning use of the appliance by a person responsible for their safety. Children should be supervised to ensure that they do not play with the appliance.
2. Use this appliance only for its intended use as described in this manual. Do not use attachments not recommended by the manufacturer.
3. Never operate this appliance when it has a damaged cord or plug, when it is not working properly, after it has been dropped or damaged, or after it has been dropped into water. Return the appliance to a service center for examination and repair.
4. Keep the cord away from heated surfaces.
5. Never drop or insert any object into any opening.
6. Do not use outdoors or operate where aerosol (spray) products are being used or where oxygen is being administered.
7. Do not use this appliance with damaged shaving blades and/or foil, as it has the potential to result in facial injury.
8. Always attach plug to appliance first, then to outlet. To disconnect, turn all controls to "off" then remove plug from outlet.
9. Never block the air openings of the product or place it on a soft surface, such as a bed or couch, where the air openings may be blocked. Keep the air openings free of lint, hair, and the like.
10. Never use while sleeping or drowsy.

SAVE THESE INSTRUCTIONS

Safety precautions

Follow these instructions.

To prevent accidents, injuries or damage to property, please follow the instructions below.

- The following chart indicates the degree of damage caused by improper operation.

⚠ DANGER	Indicates potential hazard that will result in serious injury or death.
⚠ WARNING	Indicates potential hazard that could result in serious injury or death.
⚠ CAUTION	Indicates potential hazard that could result in minor injury or property damage.

⚠ WARNING

- ▶ **This appliance**
 - This appliance has a built-in rechargeable battery. Do not throw into fire or apply heat.
 - Do not charge, use or leave in high temperature environment.
 - Doing so may cause overheating, ignition, or explosion.
 - Do not modify or repair.
 - Doing so may cause fire, electric shock, or injury.
 - Contact an authorized service center for repair (replacement of battery etc).
 - Never disassemble except when disposing of the appliance.
 - Doing so may cause fire, electric shock, or injury.
- ▶ **Power supply**
 - Do not connect or disconnect the adaptor to a household outlet with a wet hand.
 - Doing so may cause electric shock or injury.
 - Do not immerse the AC adaptor in water or wash with water.
 - Do not place the AC adaptor over or near water filled sink or bathtub.
 - Do not use when the AC adaptor is damaged or when the fitting into the household outlet is loose.
 - Do not damage the cord or the power plug.
 - Do not deface, modify, forcefully bend or pull the cord or the power plug. Also, do not place anything heavy on, twist or pinch the cord.
 - Doing so may cause electric shock or fire due to a short circuit.
 - Do not use in a way that would exceed the rating of the household outlet or the wiring.
 - Exceeding the rating by connecting too many plugs to one household outlet may cause fire due to overheating.
 - Use only the supplied AC adaptor with this product. Do not use the AC adaptor with any other product. (See reverse side.)
 - Failure to do so may cause burn or fire due to a short circuit.
 - Fully insert the adaptor.
 - Failure to do so may cause fire or electric shock.
 - Disconnect the AC adaptor when cleaning the main body with water.
 - Failure to do so may cause electric shock or injury.
- ▶ **Preventing accidents**
 - Do not place within reach of children or infants. Do not let them use it.
 - Putting parts or accessories in the mouth may cause an accident or injury.
 - If the lubrication oil is consumed accidentally, do not induce vomiting, drink a large amount of water, and contact a physician.
 - If the lubrication oil comes into contact with eyes, immediately wash thoroughly with running water, and contact a physician.
 - Failure to do so may result in physical problems.

- ▶ In case of an abnormality or malfunction
 - Immediately stop using.
 - Remove the adaptor when using the AC adaptor.
 - Failure to do so may cause fire, electric shock, or injury.
- <Abnormality or malfunction cases>
 - The main body or AC adaptor is deformed or abnormally hot.
 - The main body or AC adaptor emits a burning smell.
 - There is an abnormal sound during use or charging of the main body.
 - Immediately request inspection or repair to an authorized service center.
- ▶ Note the following precautions
 - The supply cord cannot be replaced. If the cord is damaged, the AC adaptor should be scrapped.
 - Failure to do so may cause an accident or injury.

⚠ CAUTION

- ▶ Note the following precautions
 - Do not allow metal objects or trash to adhere to the power plug or the appliance plug.
 - Doing so may cause electric shock or fire due to a short circuit.
 - Disconnect the adaptor from the household outlet when not charging.
 - Failure to do so may cause electric shock or fire due to electrical leakage resulting from insulation deterioration.

Proper handling when disposing of the battery

⚠ DANGER

- The rechargeable battery is exclusively for use with this appliance. Do not use the battery with other appliances.
- Do not charge the battery after it has been removed from the appliance.
- Do not throw into fire or apply heat.
- Do not hit, disassemble, modify, or puncture with a nail.
- Do not let the positive and negative terminals of the battery get in contact with each other through metallic objects.
- Do not carry or store the battery together with metallic jewellery such as necklaces and hairpins.
- Do not use or leave the battery where it will be exposed to high temperatures, such as under direct sunlight or near other sources of heat.
- Never peel off the tube.
 - Doing so may cause overheating, ignition, or explosion.


⚠ WARNING

- After removing the rechargeable battery, do not keep it within reach of children and infants.
 - The battery will harm the body if accidentally swallowed. If this happens, consult a physician immediately.
- If the battery fluid leaks out and comes in contact with the eyes, do not rub the eyes. Thoroughly rinse with clean water, such as tap water.
 - Failure to do so may cause eye injury. Consult a physician immediately.

⚠ CAUTION

- If the battery fluid leaks out and comes in contact with the skin or clothes, rinse off with clean water, such as tap water.
 - Failure to do so may cause inflammation.

Important information

- Store the appliance in a place with low humidity after use. Failure to do so may cause malfunction due to condensation or rust.
- Charge the appliance correctly according to these Operating Instructions. (See "How to charge".)
- This appliance contains battery that is only replaceable by skilled persons.
- Please contact an authorized service center for the details of repair.
- The symbol on the right means suitable for use in a bath or shower. 
- Be sure to switch off the appliance and remove the power plug from a household outlet before performing any maintenance.
- Do not wash the AC adaptor.

Parts identification (Fig. 1)

- A Main body**
- ① Cap
 - Mount and remove the cap straight.
 - ② Power switch
 - ③ Charge status lamp
 - ④ Appliance socket
 - ⑤ Head release button
- B AC adaptor (RE7-87)**
- ⑥ Adaptor
 - ⑦ Power plug
 - ⑧ Cord
 - ⑨ Appliance plug
- Accessories
- C Cleaning brush**
- D Lubrication oil**
- Please use according to the operating instructions of the head to be used.
- E Pouch**

How to charge

- Wipe off any water droplets on the appliance socket.

Plug the AC adaptor into the main body and the household outlet. (Fig. 2)

- Check the charge status lamp glows. It turns off after charging is completed.
- Charging is completed after approx. 1 hour.
- If the shape of the plug does not fit the power outlet, use an attachment plug adaptor of the proper configuration.

<How to check that charging is completed>

Insert the main body again after removing it from the AC adaptor. If the charge status lamp glows and then turns off after 5 seconds, charging is completed.

Notes

- Recommended ambient temperature for charging is 10 °C – 30 °C [50 °F – 86 °F]. It may take longer to charge, or the charge status lamp will blink quickly and the battery may fail to charge properly in extremely high or low temperatures.
- When charging the main body for the first time or when it has not been in use for more than 6 months, the charging time may change or the charge status lamp may not glow for a few minutes. It will eventually glow if kept connected.
- If there is noise from the radio or other sources while using or charging the appliance, move to a different location to use the appliance.
- Charging each time does not affect battery life, because it uses a lithium-ion battery.
- The battery will deteriorate if not used for over 6 months, so make sure to perform a full charge at least once every 6 months.
- **Contiguous charging the battery** will not affect battery performance.
- The use time after a full charge varies depending on the head.

How to use

Note

The appliance will not operate with the AC adaptor connected.

- The appliance may not operate in an ambient temperature lower than approximately 5 °C (41 °F).

Remove the cap, mount the desired head and press the power switch.

- Clean the appliance after use.

▶ When the remaining battery is low

The charge status lamp blinks when the power is turned off. (It turns off after 5 seconds.)

How to clean

- Make sure that the main body is turned off.
- The AC adapter cannot be washed with water. Disconnect the adaptor and wipe with a dry cloth.
- Do not wipe with thinner, benzene, alcohol etc. Doing so may cause malfunction, cracking or discoloring of the parts.
- After cleaning, store the main body with the cap attached.

1 Remove the AC adaptor and head from the main body.

2 Rinse the main body with running water. (Fig. 3)

- Do not immerse the main body in water for a long time. Otherwise, the water may seep into the main body.

3 Shake up and down several times to remove the water.

- Be careful not to hit the appliance on the sink or any other object while draining the water.

4 Wipe off the water with a dry cloth and dry it well.

Troubleshooting

Problem	Action
Appliance does not operate even after charging.	<ul style="list-style-type: none"> ▶ The appliance will not operate with the AC adaptor connected. Please use the appliance after it has been sufficiently charged and the AC adaptor disconnected. ▶ Use the appliance in an ambient temperature approximately 5 °C (41 °F) or higher.
Operating time is short even after a full charge.	<ul style="list-style-type: none"> ▶ The battery is nearing the end of its life.
The main body cannot be charged.	<ul style="list-style-type: none"> ▶ The charging time is long or the charge status lamp will blink quickly and the battery may fail to charge properly in extremely high or low temperatures. Charge within the recommended charging temperature of 10 °C (50 °F) to 30 °C (86 °F).

If the problems still cannot be resolved, contact your dealer or a service center authorized by Panasonic for repair.

Disposal of the appliance

ATTENTION:

A lithium ion battery that is recyclable powers the product you have purchased. Please call 1-800-8-BATTERY for information on how to recycle this battery.



Remove the built-in rechargeable battery before disposing of the appliance.

- The battery is to be disposed of safely.
- This figure must only be used when disposing of the appliance and must not be used to repair it. If you dismantle the appliance yourself, it will no longer be waterproof, which may cause it to malfunction.

How to remove the battery (Fig. 4)

- Remove the appliance from the AC adaptor.
- Press the power switch to turn on the power and then keep the power on until the battery is completely discharged.
- Perform steps ① to ③ and lift the battery, and then remove it.
- Use a Phillips-head screwdriver as shown.
- Take care not to short circuit the positive and negative terminals of the removed battery, and insulate the terminals by applying tape to them.

Specifications

Power source	See the name plate on the AC adaptor. (Automatic voltage conversion)
Motor voltage	3.6 V===
Charging time	Approx. 1 hour

- This product is intended for household use only.

Federal Communication Commission Interference Statement

This equipment has been tested and found to comply with the limits for a Class B digital device, pursuant to Part 15 of the FCC Rules. These limits are designed to provide reasonable protection against harmful interference in a residential installation. This equipment generates, uses and can radiate radio frequency energy and, if not installed and used in accordance with the instructions, may cause harmful interference to radio communications. However, there is no guarantee that interference will not occur in a particular installation. If this equipment does cause harmful interference to radio or television reception, which can be determined by turning the equipment off and on, the user is encouraged to try to correct the interference by one of the following measures:

- Reorient or relocate the receiving antenna.
- Increase the separation between the equipment and receiver.
- Connect the equipment into an outlet on a circuit different from that to which the receiver is connected.
- Consult the dealer or an experienced radio/TV technician for help.

FCC Caution: To assure continued compliance, install and use in accordance with provided instructions. Any changes or modifications not expressly approved by the party responsible for compliance could void the user's authority to operate this equipment.

This device complies with part 15 of the FCC Rules. Operation is subject to the following two conditions: (1) This device may not cause harmful interference, and (2) this device must accept any interference received, including interference that may cause undesired operation.



Personal Care & Beauty Care Products

FOR USA ONLY

30-Day Quality Satisfaction Guarantee

If you are dissatisfied with any Panasonic Personal Care & Beauty Care Products for any reason, simply return it to the place of purchase with a dated proof of purchase, in the original packaging, with all accessories, parts and instructions, within 30 days of the date of purchase, for a full refund, or call Panasonic at 1-800-338-0552. Abuse or misapplication of this product voids the guarantee.

PRODUCT REGISTRATION (U.S. customers only)

Go to www.panasonic.com/register and register your product now to receive these benefits:

Safety Notification

We contact our customers in case of recall

Owner Verification

Proof of purchase in case of product theft or loss

Efficient Warranty Service

In case there is a problem with your product

Special Offers and Promotions from Panasonic

FOR YOUR CONVENIENCE, WE HAVE ESTABLISHED A TOLL-FREE (IN USA ONLY) NATIONAL ACCESSORY PURCHASE HOTLINE AT 1-800-332-5368.

IN USA CONTACT:
Panasonic Corporation of North America
Two Riverfront Plaza, Newark, NJ 07102-5490

Service • Assistance • Accessories

Call 1-800-338-0552 (In USA)
<https://shop.panasonic.com/personal-care>
<https://shop.panasonic.com/support>
<https://www.panasonic.com>

© Panasonic Corporation 2022

Printed in Thailand
ER971WCBL11X
F0222-0

Ⓜ EN