

# Quick Setup Guide

DMR-EZ28

Panasonic®

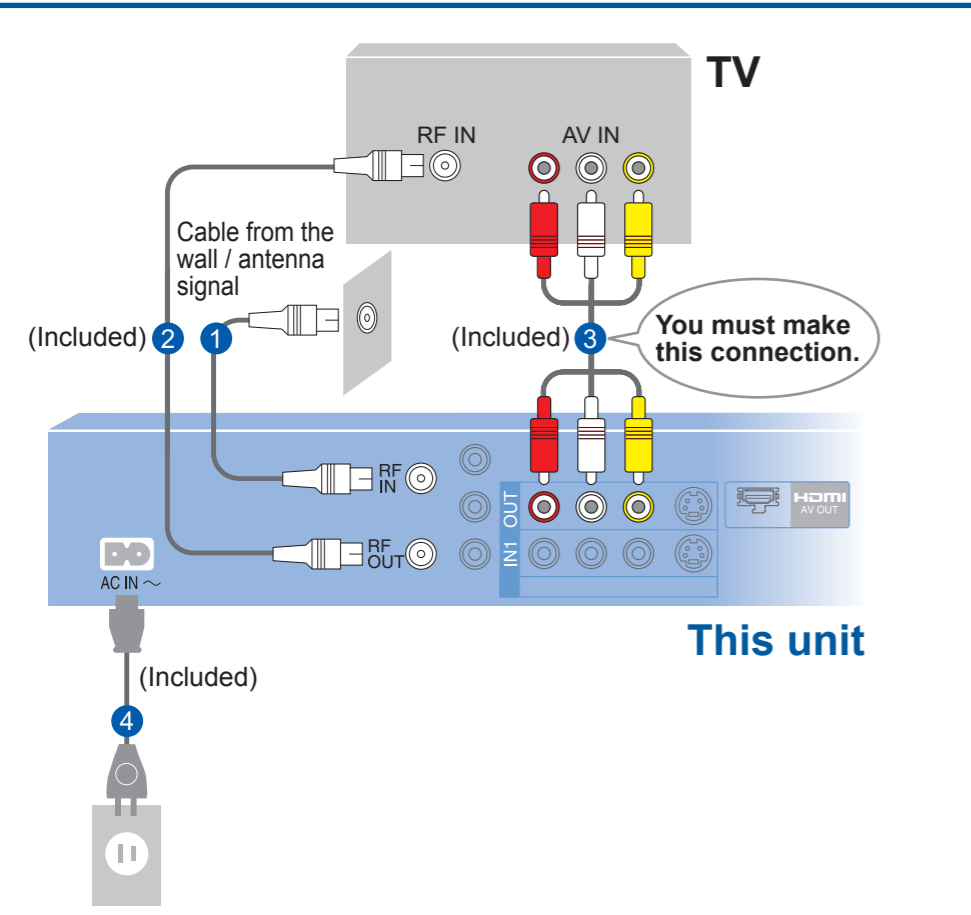
If you have any questions contact  
 (U.S.A.) 1-800-211-7262  
 (Canada) 1-800-561-5505

- Before making any connections, turn off all equipment.
- For details on the benefits and limitations of different types of connections, please refer to pages 8 to 11, 59 to 61 in the operating instructions.

## Connection

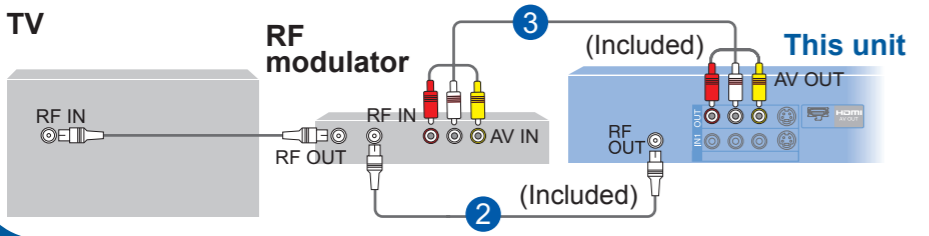
For Higher Picture Quality with HDMI Terminal → opposite side of this page

### A Connecting to a TV

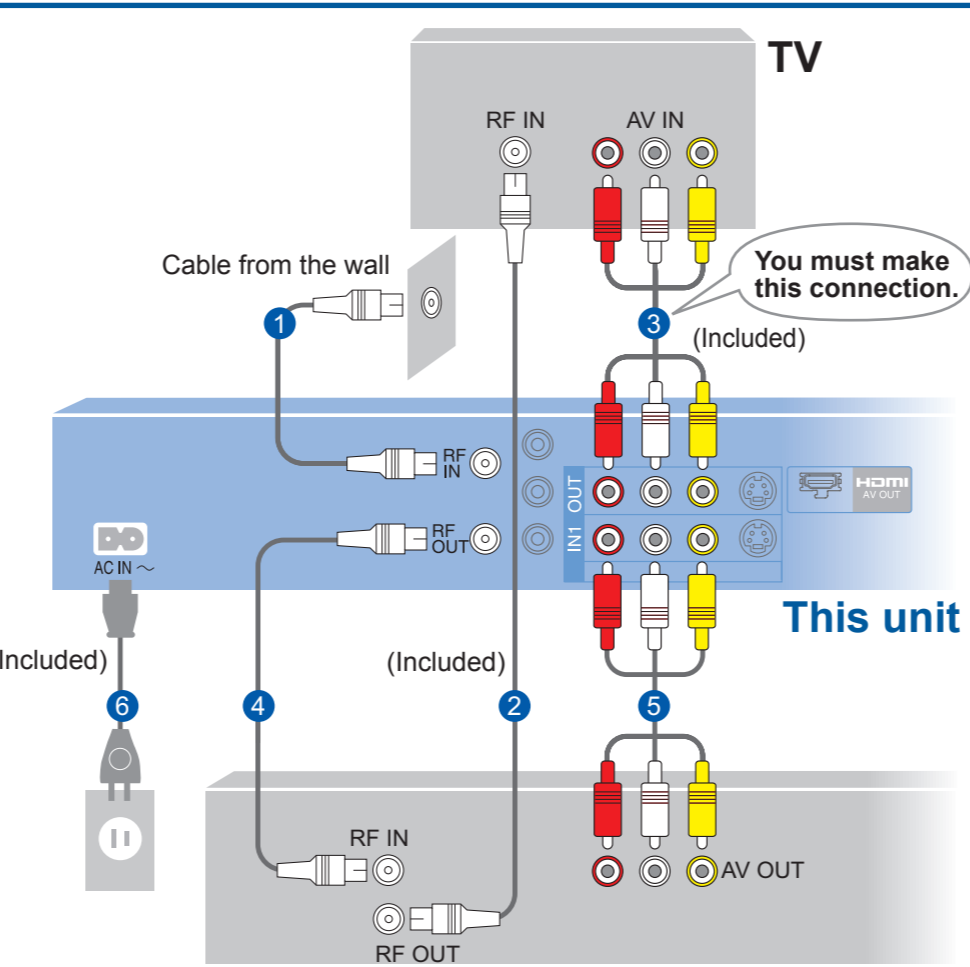


• If you connect a VCR (→ page 59 in the operating instructions)

■ If your TV does not have AV terminals, connect cables in steps 2 and 3 (same as those on connection A) as follows.

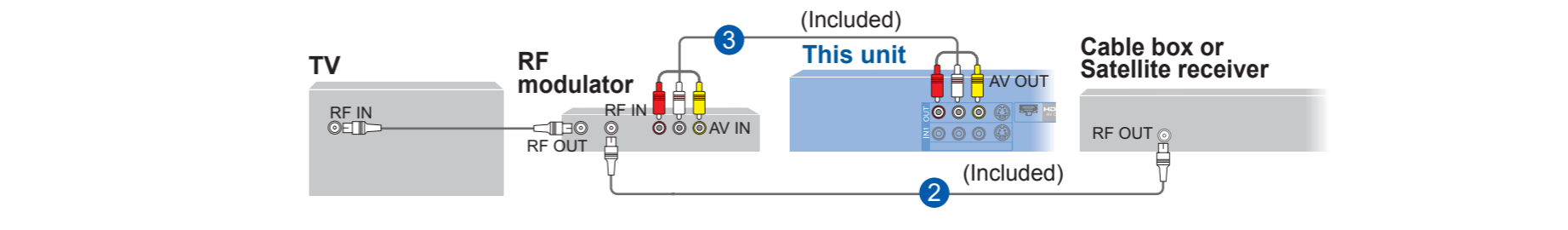


### B Connecting to a TV and a Cable Box

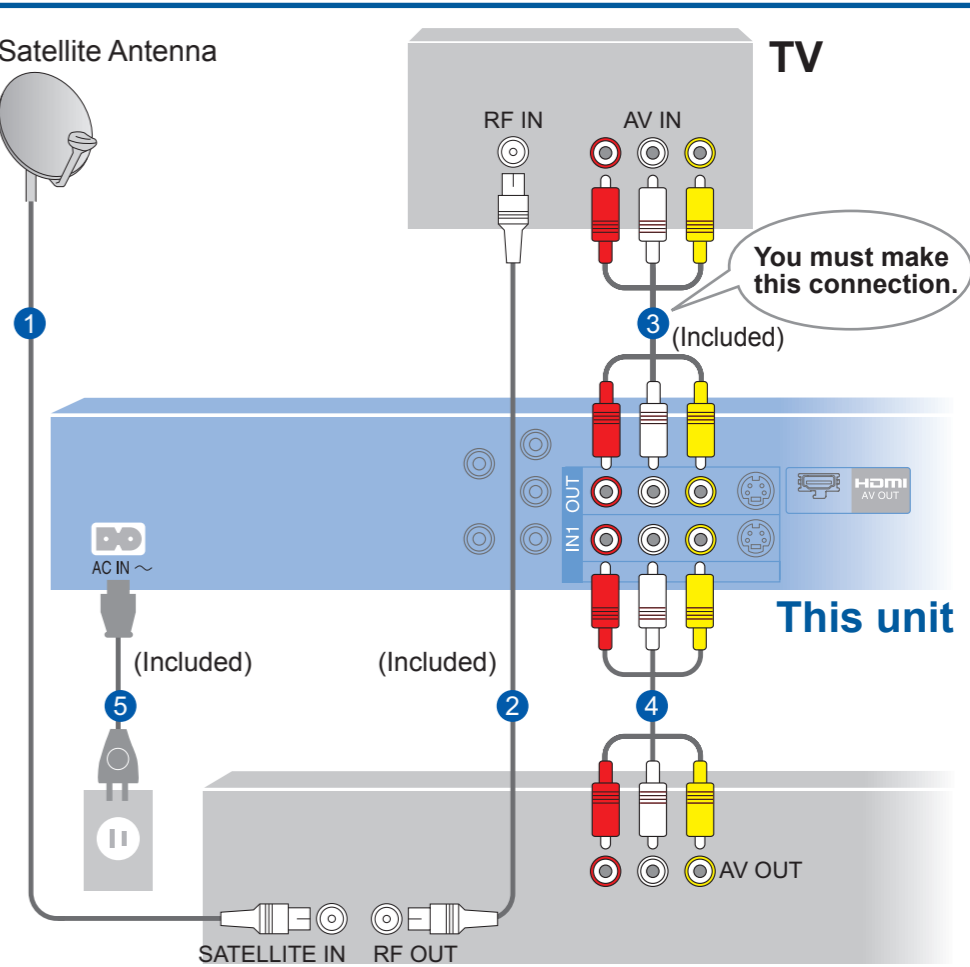


• If you connect a VCR (→ page 59 in the operating instructions)

■ If your TV does not have AV terminals, connect cables in steps 2 and 3 (same as those on connection B or C) as follows.



### C Connecting to a TV and a Satellite Receiver

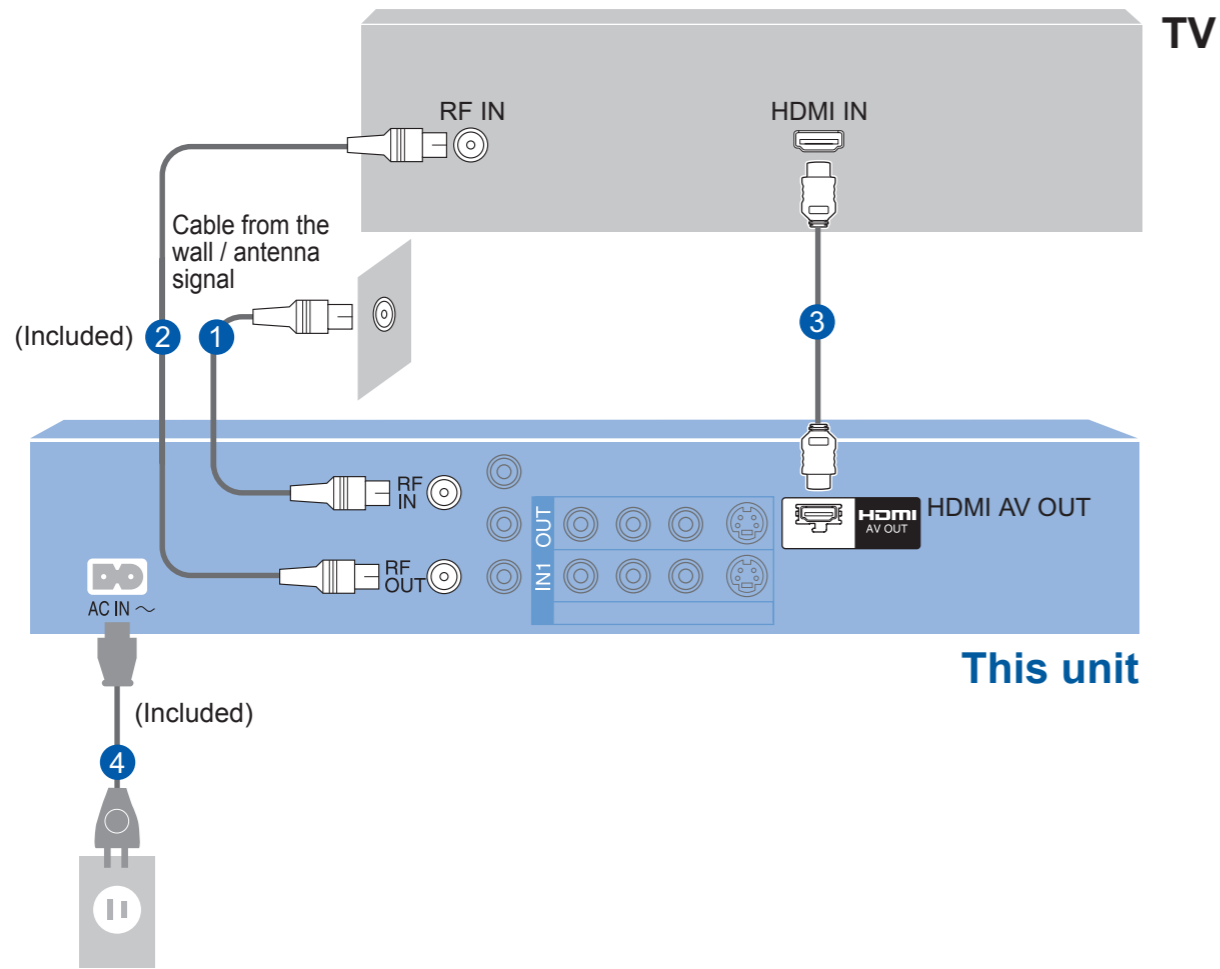


• If you connect a VCR (→ page 59 in the operating instructions)

# Connecting with an HDMI (High Definition Multimedia Interface) Cable

When connected to an HDMI compatible unit, an uncompressed digital audio and video signal is transmitted, enabling you to enjoy high quality digital video and audio with just one cable. When connecting to an HDMI-compatible HDTV (High Definition Television), the output can be switched to 1080p, 1080i or 720p HD video.

- Please use HIGH SPEED HDMI cables that have the HDMI logo (as shown on the cover of the operating instructions). It is recommended that you use Panasonic's HDMI cable.



- Set "HDMI Priority" and "HDMI Audio Output" to "On" (The default setting is "On".) (→ pages 54 and 55 in the operating instructions).

For details on the benefits and limitations of different types of connections, please refer to pages 8 to 11, 59 to 61 in the operating instructions.

## ■ VIERA Link™ "HDAVI Control™"

### What is VIERA Link "HDAVI Control"?

VIERA Link™ is a new name for EZ Sync™. VIERA Link "HDAVI Control" is a convenient function that offers linked operations of this unit, and a Panasonic TV (VIERA) or receiver under "HDAVI Control". You can use this function by connecting the equipment with the HDMI cable.

For details on the benefits of "HDAVI Control", please refer to pages 34 and 35 in the operating instructions.

# Initial Settings

## Preparing the TV

Using your TV's remote control

1 Turn the TV on.

2 Selecting the video input on your TV.

Activate the TV's video input which was connected to this unit. e.g. the TV/VIDEO or INPUT button

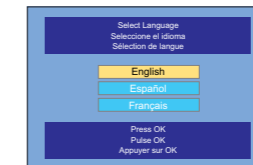


3 Turn this unit on.



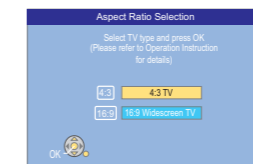
• When this unit is connected to a Panasonic TV (VIERA) supporting HDAVI Control 3 and initially set up, it automatically acquires the TV setting information. For details, please refer to page 14 in the operating instructions.

4 Select the language.

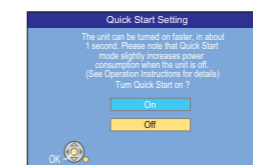


• If you make a mistake, press RETURN.

5 Select the type of TV you are using.

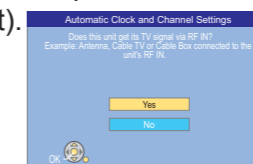


6 Set Quick Start to "On" or "Off".

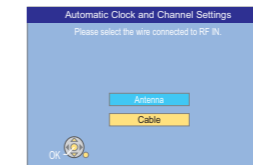


7 Select whether to receive TV signal from the unit's RF IN terminal or not.

• If you select "No", you can proceed to "Set Clock Manually" (→ Step 9, lower right).



8 Select "Antenna" or "Cable".

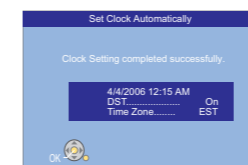


→ Press [OK] to start automatic clock and channel setting.

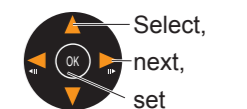
• To return to the previous screen RETURN

9 Complete the settings.

• If the correct time is displayed



• If the clock setting screen appears



• Please refer to "Basic Operations" (pages 15 to 19) in the operating instructions.

