

Transferring (Dubbing)

You can select from a variety of methods to transfer (dub) on the unit.

Direction From To	Type of transfer (dubbing) you want	Suitable methods
VHS → DVD-RAM, DVD-R, DVD-RW, +R	Easy transferring (dubbing) with one button ★ When you want to transfer (dub) from the selected start point to the end of the tape	One Touch Transfer → 57
	Transferring (dubbing) with detailed settings ★ When you want to transfer (dub) from the selected start point to the end of the tape ★ When you want to transfer (dub) to fit in the remaining capacity of the disc ★ When you want to transfer (dub) while checking the video and the audio to select the desired part	Case ★ : GUI Transfer → 57 Case ★ : Manual Transfer → 58
DVD-RAM, DVD-RW (DVD Video Recording format) → VHS	Easy transferring (dubbing) with one button ★ When you want to transfer (dub) a whole disc ★ When you want to transfer (dub) from the beginning of the selected title to the end of the disc	One Touch Transfer → 59
	Transferring (dubbing) with detailed settings ★ When you want to transfer (dub) multiple titles or playlists in combination ★ When you want to transfer (dub) while checking the video and the audio to select the desired part	Case ★ : GUI Transfer → 60 Case ★ : Manual Transfer → 62
DVD-R, DVD-RW (DVD-Video format), +R → VHS	Easy transferring (dubbing) with one button ★ When you want to transfer (dub) a whole disc ★ When you want to transfer (dub) from the beginning of the selected title to the end of the disc	One Touch Transfer → 59
	Transferring (dubbing) with detailed settings ★ When you want to transfer (dub) while checking the video and the audio to select the desired part	Manual Transfer → 62
DVD-Video (including finalized DVD-R, DVD-RW, +R, +RW) → VHS	Easy transferring (dubbing) with one button	Cannot transfer (dub)
	Transferring (dubbing) with detailed settings ★ When you want to transfer (dub) a whole disc ★ When you want to transfer only for the specified time ★ When you want to transfer (dub) while checking the video and the audio to select the desired part	Case ★ : DVD-Video Transfer → 61 Case ★ : Manual Transfer → 62

Disc Comparison (→ 6)

	DVD-RAM	DVD-R (DVD-Video format)	DVD-RW (DVD-Video format)	+R	DVD-RW (DVD Video Recording format)	+RW
Repeat recording	✓	✗	✓	✗	Only playback is available with this unit.	
Recording both Main and SAP of MTS broadcast (→ 9)	✓	✗	✗	✗	✗	✗
Recording broadcasts that allow one copy	CPRM (→ 64) compatible discs only	✗	✗	✗	✗	✗
Recording 16:9 aspect picture	✓	The picture is recorded in 4:3 aspect.	The picture is recorded in 4:3 aspect.	The picture is recorded in 4:3 aspect.	✗	✗
Playback on another unit	✓	After finalizing the disc	After finalizing the disc	After finalizing the disc	✗	✗

✓: Possible, ✗: Impossible



Playing the disc on other DVD players

After recording, it is necessary to finalize (close) DVD-R, DVD-RW and +R in order to be able to play them on other DVD players.



Quick Set Up Guide



If you have any questions, contact

In the U.S.A.: 1-800-211-PANA (7262)
In Canada: 1-800-561-5505

DVD Recorder

Model No. DMR-ES30V

Reference pages on the operating instructions are indicated as (→ ○○).

Before performing operations, be sure to select drive.

VHS OPERATION SELECT DVD

The VHS indicator lights up on the unit.

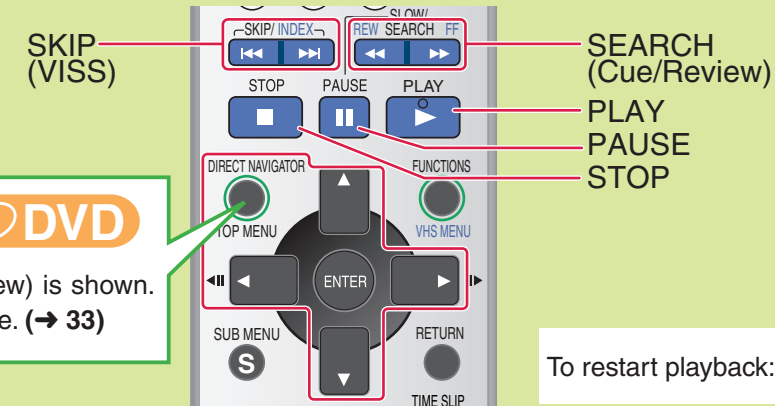
VHS OPERATION SELECT DVD

The DVD indicator lights up on the unit.

Playback

DIRECT NAVIGATOR

The list of titles recorded (Title View) is shown. You can play and edit a desired title. (→ 33)



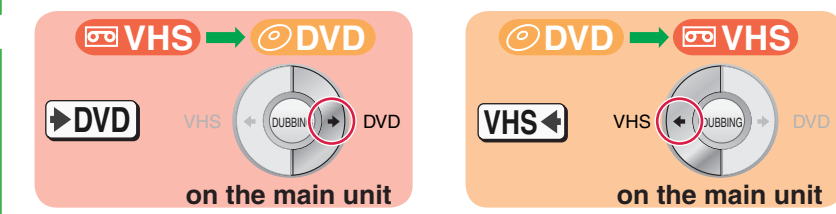
To restart playback:

Recording

- Select the channel.**
Press to select the channel.
- Select the recording mode.**
Press to select the recording mode.
- Start recording.**
Press to start recording. To stop recording:

One Touch Transfer (Dubbing)

While both DVD and VHS are stopped, press and hold for about 3 seconds or more. (→ 57, 59)



The appearance of your DVD Recorder may differ slightly from that shown in the illustrations.

Connection

Please read "Precautions for installation". (→ 3)

Before connection, turn off all equipment and read the appropriate operating instructions.

Connection (without Audio/Video cable)

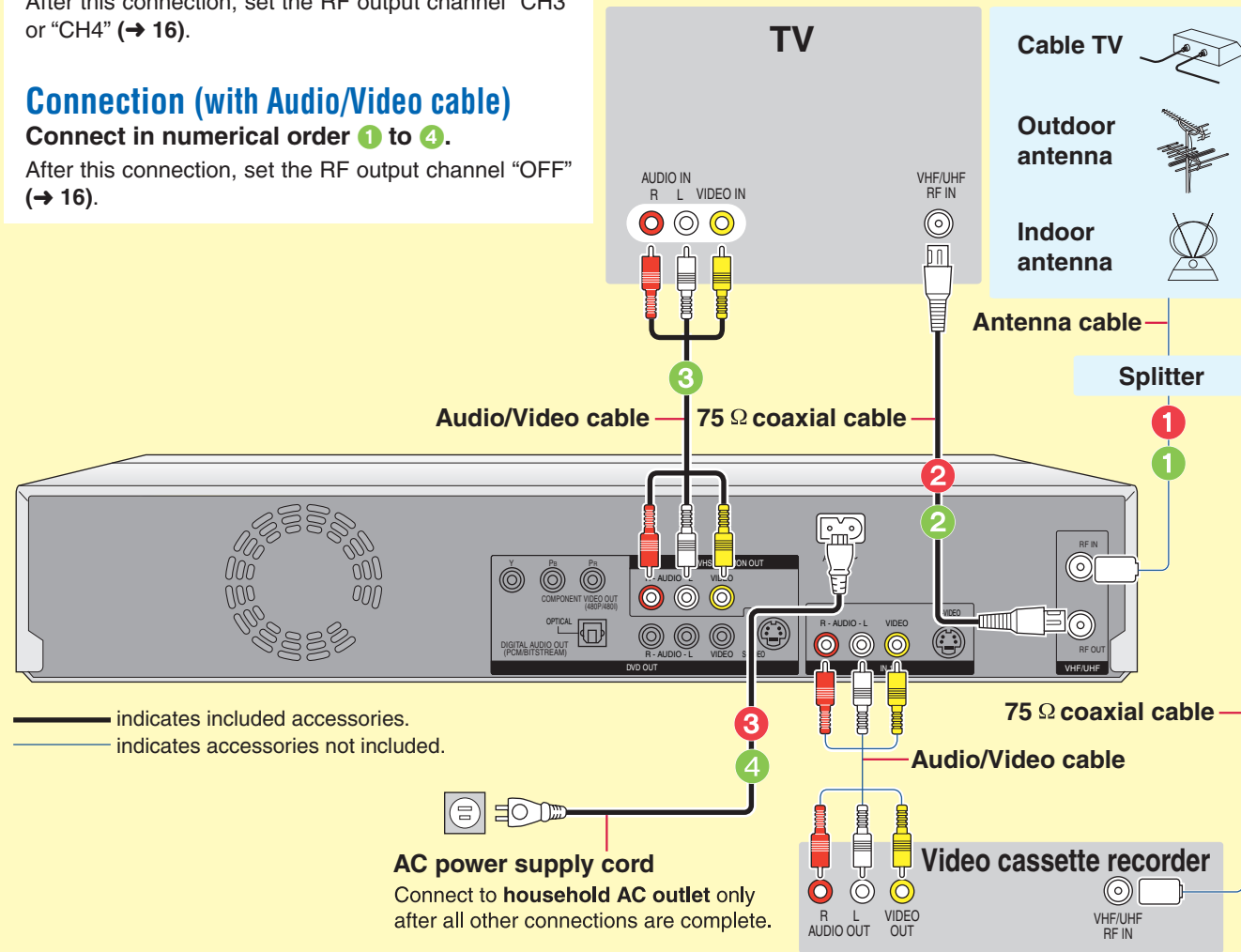
Connect in numerical order 1 to 3.

After this connection, set the RF output channel "CH3" or "CH4" (→ 16).

Connection (with Audio/Video cable)

Connect in numerical order 1 to 4.

After this connection, set the RF output channel "OFF" (→ 16).



Use a splitter if you also want to connect the antenna to your VCR.

Cable TV

Outdoor antenna

Indoor antenna

Splitter

75 Ω coaxial cable

Audio/Video cable

Video cassette recorder

AC power supply cord

Connect to household AC outlet only after all other connections are complete.

DVD output and DVD/VHS output

The unit has DVD/VHS COMMON output terminals and DVD output terminals.

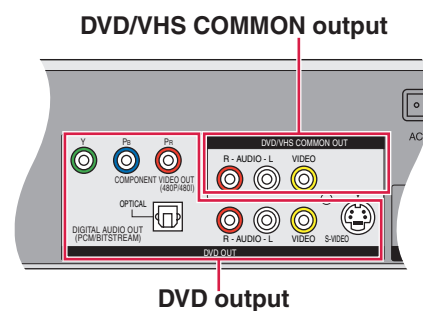
DVD/VHS COMMON OUT

For DVD/VHS COMMON output terminals, both DVD and VHS signals can be output.

DVD OUT

This is the dedicated terminal for enjoying pictures played on DVD in higher picture quality (→ 15).

If your TV is connected to the DVD output terminals, the VHS picture is not displayed on your TV unless you select the TP channel (→ 58).



Plug-in Auto Tuning

After plugging the unit into your household AC outlet and pressing to turn the unit on for the first time, the unit assists you to set the on-screen language, automatically tunes in all the channels it can receive and sets the clock.

Preparation

Turn on the TV and select the appropriate video input to suit the connections to the unit. (Example: AV input, CH3 or CH4)

1 Turn on the DVD Recorder.

DVD/VHS POWER

Press .

2 Select an RF output channel number.

Press to select an RF output channel number.

Each time you press the button:
CH3 (Default setting) ↔ CH4 ↔ OFF

Connection 1-3 (without Audio/Video cable)

Select "CH3" or "CH4" which displays the screen on the right.

Connection 1-4 (with Audio/Video cable)

Select "OFF".

3 Select the language.

Use to select the language and press .

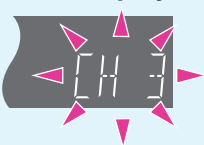
4 Start Plug-in Auto Tuning.

Press to start Plug-in Auto Tuning.

5 The unit then proceeds with Auto Clock Setting. The time is displayed when Auto Clock Setting is finished.

Press to exit the screen.

The unit's display



Select Language
Seleccione la Lengua
Sélection de Langue

English
Español
Français

Press ENTER
Pulse ENTER
Appuyer sur ENTER

Set Channels Automatically

Ch. 1

Set Channels Automatically
Proceeding . . .

Set Clock Automatically

Auto Clock Setting is complete.

4/4/2005 12:15 AM
DST..... On
Time Zone.... CST

● If the unit couldn't set the clock automatically (→ 46)

● To start Plug-in Auto Tuning again (→ 16)

● To change the RF output channel (→ 20)