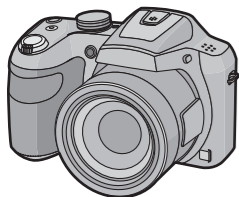


ENGLISH

Panasonic

Basic Owner's Manual Digital Camera Model No. DMC-LZ40



Please read these instructions carefully before using this product, and save this manual for future use.

More detailed owner's manual are available in "Owner's Manual for advanced features (PDF format)". To read it, download it from the website.

<http://panasonic.jp/support/dsc/oi/index.html?model=DMC-LZ40&dest=P>

Click the desired language.

* You will need Adobe Reader to browse or print the Owner's Manual (PDF format). You can download and install a version of Adobe Reader that you can use with your OS from the following website. (As of January 2014)
<http://www.adobe.com/products/acrobat/readstep2.html>



Register online at www.panasonic.com/register (U.S. customers only)

If you have any questions, visit
USA and Puerto Rico : www.panasonic.com/support

Panasonic Corporation of North America

Two Riverfront Plaza, Newark, NJ 07102-5490

© Panasonic Corporation 2014

Printed in China



VQT5F85-2
F1213MG2034

Dear Customer,

Thank you for choosing Panasonic!

You have purchased one of the most sophisticated and reliable products on the market today. Used properly, we're sure it will bring you and your family years of enjoyment. Please take time to fill in the information on the below. The serial number is on the tag located on the underside of your camera. Be sure to **retain this manual** as your convenient camera information source.

Date of Purchase	Dealer Phone No.
Dealer Purchased From	Model No.
Dealer Address	Serial No.

Please note that the actual controls and components, menu items, etc. of your Digital Camera may look somewhat different from those shown in the illustrations in this Owner's Manual.

Carefully observe copyright laws.

Recording of pre-recorded tapes or discs or other published or broadcast material for purposes other than your own private use may infringe copyright laws. Even for the purpose of private use, recording of certain material may be restricted.



A lithium ion battery that is recyclable powers the product you have purchased. Please call 1-800-8-BATTERY for information on how to recycle this battery.

Information for Your Safety

WARNING:

To reduce the risk of fire, electric shock or product damage,

- Do not expose this unit to rain, moisture, dripping or splashing.
- Use only the recommended accessories.
- Do not remove covers.
- Do not repair this unit by yourself. Refer servicing to qualified service personnel.

The socket outlet shall be installed near the equipment and shall be easily accessible.

Product identification marking

Product	Location
Digital Camera	Bottom

FCC Note:

This equipment has been tested and found to comply with the limits for a Class B digital device, pursuant to Part 15 of the FCC Rules. These limits are designed to provide reasonable protection against harmful interference in a residential installation. This equipment generates, uses, and can radiate radio frequency energy and, if not installed and used in accordance with the instructions, may cause harmful interference to radio communications. However, there is no guarantee that interference will not occur in a particular installation. If this equipment does cause harmful interference to radio or television reception, which can be determined by turning the equipment off and on, the user is encouraged to try to correct the interference by one or more of the following measures:

- Reorient or relocate the receiving antenna.
- Increase the separation between the equipment and receiver.
- Connect the equipment into an outlet on a circuit different from that to which the receiver is connected.
- Consult the dealer or an experienced radio/TV technician for help.

FCC Caution: To assure continued compliance, follow the attached installation instructions and use only shielded interface cables with ferrite core when connecting to computer or peripheral devices. Any changes or modifications not expressly approved by the party responsible for compliance could void the user's authority to operate this equipment.

Declaration of Conformity

Trade Name: Panasonic
 Model No.: DMC-LZ40
 Responsible Party: Panasonic Corporation of North America
 Two Riverfront Plaza, Newark, NJ 07102-5490
<http://www.panasonic.com/contactinfo>

Support Contact:

This device complies with Part 15 of the FCC Rules. Operation is subject to the following two conditions: (1) This device may not cause harmful interference, and (2) this device must accept any interference received, including interference that may cause undesired operation.



About the AC adaptor (supplied)

CAUTION!

To reduce the risk of fire, electric shock or product damage, do not install or place this unit in a bookcase, built-in cabinet or in another confined space. Ensure this unit is well ventilated.

AC adaptor

This AC adaptor operates on AC between 110 V and 240 V. But

- In the U.S.A. and Canada, the AC adaptor must be connected to a 120 V AC power supply only.
- When connecting to an AC supply outside of the U.S.A. or Canada, use a plug adaptor to suit the AC outlet configuration.

About the battery pack

CAUTION

Battery pack (Lithium ion battery pack)

- Use the specified unit to recharge the battery pack.
- Do not use the battery pack with equipment other than the specified unit.
- Do not get dirt, sand, liquids, or other foreign matter on the terminals.
- Do not touch the plug terminals (+ and -) with metal objects.
- Do not disassemble, remodel, heat or throw into fire.

If any electrolyte should come into contact with your hands or clothes, wash it off thoroughly with water.

If any electrolyte should come into contact with your eyes, never rub the eyes. Rinse eyes thoroughly with water, and then consult a doctor.

CAUTION

- Danger of explosion if battery is incorrectly replaced. Replace only with the type recommended by the manufacturer.
- When disposing of the batteries, please contact your local authorities or dealer and ask for the correct method of disposal.

- Do not heat or expose to flame.
- Do not leave the battery(ies) in a car exposed to direct sunlight for a long period of time with doors and windows closed.

Warning

Risk of fire, explosion and burns. Do not disassemble, heat above 60 °C (140 °F) or incinerate.

Cautions for Use

- Do not use any other USB connection cables except the supplied one or a genuine Panasonic USB connection cable (DMW-USBC1: optional).
- Do not use any other AC adaptors except the supplied one.
- Always use a genuine Panasonic AV cable (DMW-AVC1: optional).
- Always use genuine Panasonic batteries (DMW-BCM13PP).
- If you use other batteries, we cannot guarantee the quality of this product.
- Keep the Memory Card out of reach of children to prevent swallowing.

Keep this unit as far away as possible from electromagnetic equipment (such as microwave ovens, TVs, video games etc.).

- If you use this unit on top of or near a TV, the pictures and/or sound on this unit may be disrupted by electromagnetic wave radiation.
- Do not use this unit near cell phones because doing so may result in noise adversely affecting the pictures and/or sound.
- Recorded data may be damaged, or pictures may be distorted, by strong magnetic fields created by speakers or large motors.
- Electromagnetic wave radiation may adversely affect this unit, disturbing the pictures and/or sound.
- If this unit is adversely affected by electromagnetic equipment and stops functioning properly, turn this unit off and remove the battery or disconnect AC adaptor. Then reinsert the battery or reconnect AC adaptor and turn this unit on.

Do not use this unit near radio transmitters or high-voltage lines.

- If you record near radio transmitters or high-voltage lines, the recorded pictures and/or sound may be adversely affected.

- Before cleaning the camera, remove the battery or disconnect the power plug from the outlet.
- Do not press the monitor with excessive force.
- Do not press the lens with excessive force.
- Do not spray the camera with insecticides or volatile chemicals.
- Do not keep rubber or plastic products in contact with the camera for a long period of time.
- Do not use solvents such as benzine, thinner, alcohol, kitchen detergents, etc., to clean the camera, since it may deteriorate the external case or the coating may peel off.
- Do not leave the camera with the lens facing the sun, as rays of light from the sun may cause it to malfunction.
- Always use the supplied cords and cables.
- Do not extend the cords or the cables.
- During access (image writing, reading and deleting, formatting etc.), do not turn this unit off, remove the battery, card or disconnect the AC adaptor (supplied). Furthermore, do not subject the camera to vibration, impact or static electricity.
- The data on the built-in memory or the card may be damaged or lost due to electromagnetic waves, static electricity or breakdown of the camera or the card. We recommend storing important data on a PC etc.
- Do not format the card on your PC or other equipment. Format it on the camera only to ensure proper operation.

- The battery is not charged when the camera is shipped. Charge the battery before use.
- Charge the battery only when it is inserted in the camera.
- Do not remove or damage the external label on the battery.
- The battery is a rechargeable lithium ion battery. If the temperature is too high or too low, the operating time of the battery will become shorter.
- The battery becomes warm after using and during and after charging. The camera also becomes warm during use. This is not a malfunction.
- Do not leave any metal items (such as clips) near the contact areas of the power plug or near the batteries.
- Store the battery in a cool and dry place with a relatively stable temperature: [Recommended temperature: 15 °C to 25 °C (59 °F to 77 °F), Recommended humidity: 40%RH to 60%RH]
- Do not store the battery for a long time while fully charged. When storing the battery for a long period of time, we recommend charging it once a year. Remove the battery from the camera and store it again after it has completely discharged.

If you see this symbol-

Information on Disposal in other Countries outside the European Union

This symbol is only valid in the European Union. If you wish to discard this product, please contact your local authorities or dealer and ask for the correct method of disposal.



Standard Accessories

Check that all the accessories are supplied before using the camera.

Product numbers correct as of January 2014. These may be subject to change.

Battery Pack (DMW-BCM13PP)	Lens Cap/Lens Cap String (VYQ8537)
USB Connection Cable (K1HY08YY0037)	AC Adaptor (VSK0768)
Shoulder Strap (VFC4903)	

If accessories are lost, customers can visit us at www.panasonic.com/support for further information about obtaining replacement parts.

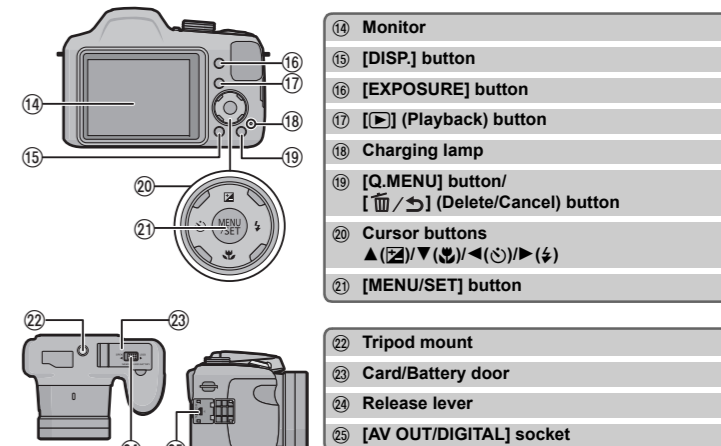
Optional Accessories

Battery Pack: DMW-BCM13
 USB Connection Cable: DMW-USBC1
 AV Cable: DMW-AVC1
 Accessories and/or model numbers may vary between countries. Consult your local dealer.

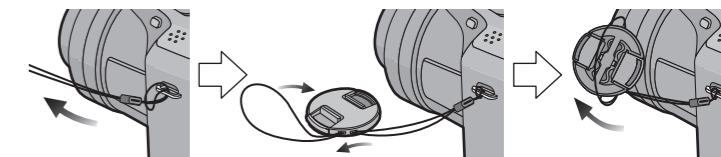
Names of Main Parts

1	Motion picture button
2	Shutter button
3	Zoom lever
4	Self-timer indicator/ AF Assist Lamp
5	Lens
6	Flash
7	Lens barrel

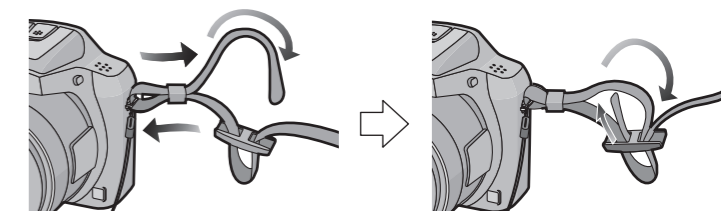
8	Microphone
9	[OPEN] (Flash open) button
10	Speaker
11	Shoulder strap eyelet
12	Camera [ON/OFF] button
13	Mode dial



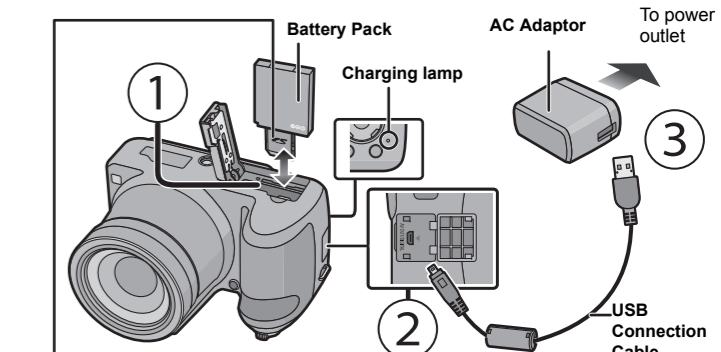
Attaching the Lens Cap



Attaching the Shoulder Strap



Preparations



SD Memory Card (optional)

- The following cards, which conform to the SD standard, can be used with this unit. (These cards are indicated as **card** in the text.)
- SD Memory Card (8 MB to 2 GB)
- SDHC Memory Card (4 GB to 32 GB)
- SDXC Memory Card (48 GB, 64 GB)

Charging time Approx. 210 min

When charging is complete, the charging lamp will go off - then you may disconnect the camera from the power outlet or computer.

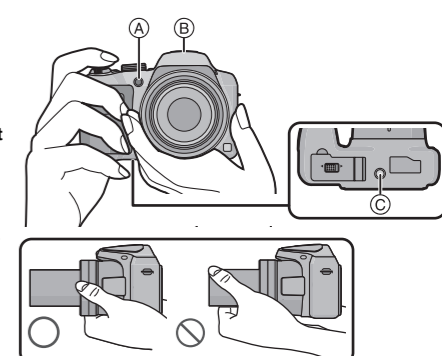
Tips for taking good pictures

Hold the camera gently with both hands, keep your arms still at your side and stand with your feet slightly apart.

- Be careful not to put your fingers on the flash, AF Assist Lamp A, microphone B, speaker or lens etc.

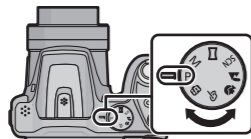
Tripod mount

A tripod with a screw length of 5.5 mm (0.22 inch) or more may damage this unit if attached.



Selecting the Recording Mode

- Switching the mode by rotating the mode dial.**
 • Rotate the mode dial slowly to select the desired mode.

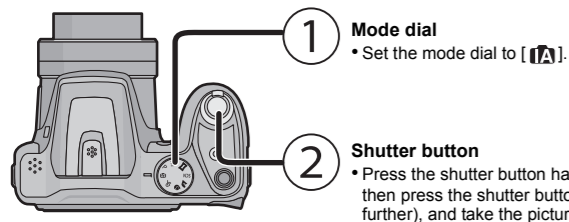


List of Recording Modes

IA Intelligent Auto Mode	The subjects are recorded using settings automatically selected by the camera.
P Program AE Mode	The subjects are recorded using your own settings.
M Manual Exposure Mode	The exposure is adjusted by the aperture value and the shutter speed which are manually adjusted.
Panorama Shot Mode	This mode allows you to take panorama pictures. This mode allows you to select any of the 13 image effects including [Old Days], [High Key], and [Dynamic Monochrome].
SCN Scene Mode	This mode allows you to take pictures that match the scene being recorded. This mode allows you to select any of the 13 scenes including [Sports], [Food], and [Starry Sky].
Scenery Mode	This allows you to take pictures of a wide landscape.
Portrait Mode	When taking pictures of people outdoors during the daytime, this mode allows you to improve the appearance and make their skin tones look healthier.
Creative Control Mode	Record while checking the image effect. This mode allows you to select any of the 15 image effects including [Old Days], [High Key], and [Dynamic Monochrome].

Taking pictures using the automatic function (Intelligent Auto Mode)

We recommend this mode for beginners or those who want to leave the settings to the camera and record casually.



Scene Detection

When the camera identifies the optimum scene, the icon of the scene concerned is displayed in blue for 2 seconds, after which its color changes to the usual red.

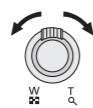
	[i-Portrait]		[i-Scenery]
	[i-Macro]		[i-Night Portrait]*
	[i-Night Scenery]		[i-Sunset]

* Only displayed when the flash is set to [iA].

Using the Zoom

To make subjects appear further away use (Wide):
 Rotate the zoom lever towards Wide.

To make subjects appear closer use (Tele):
 Rotate the zoom lever towards Tele.



Optical Zoom

Zooms in without deteriorating the image quality.

Maximum magnification: 42x

Extended Optical Zoom (EZ)

This function works when any of the picture sizes indicated with [EZ] is selected. You can zoom in further than you can with the Optical Zoom without deteriorating the image quality.

Maximum magnification: 105x

(This includes the optical zoom magnification. The magnification level differs depending on [Picture Size] setting.)

Intelligent Zoom

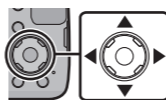
Enabled when [i.Zoom] in the [Rec] menu is set to [ON]. You can zoom in up to twice the original zoom magnification while minimizing the deterioration of the image quality.

Digital Zoom

This function works when [Digital Zoom] in the [Rec] menu is set to [ON]. Although the image quality deteriorates every time you zoom in further, you can zoom in up to four times the original zoom magnification.

Changing Functions and Settings

Functions and settings can be changed using ▲/▼/◀/▶ and [MENU/SET]. (Some functions and settings will not be available for selection depending on the Recording Mode.)



	The exposure compensation or Auto Bracket setting screen is displayed.
	The macro setting screen is displayed. [AF]([AF Macro])/[M]([Macro Zoom])/[OFF]
	The Self-Timer setting screen is displayed. [10]([10sec.])/[2]([2sec.])/[OFF]
	The flash setting screen is displayed. (Open the flash.) [A]([Auto])/[iA]([iAuto])/[A]([Auto/Red-Eye])/[F]([Forced Flash On])/[S]([Slow Sync./Red-Eye])
	The menu screen is displayed. This operation is also available during playback.

Menus convenient for taking pictures

[Picture Size]

A picture taken with the camera is saved as picture data of up to approximately 20 million pixels. The smaller the number of pixels is, the greater the number of recordable pictures will be.

• Quality [iii]

Save location	20M (4:3)	3M (4:3)	0.3M (4:3)
Built-in Memory (Approx. 80 MB)	7	40	220
Card (2 GB)	150	950	4900

[Quality]

Set the compression rate at which the pictures are to be stored.

Settings	Description of settings
[iii] (Fine)	When giving priority to the picture quality
[i] (Standard)	When using the standard picture quality and increasing the number of pictures to be recorded without changing the number of pixels

[Sensitivity]

This allows the Sensitivity to light (ISO sensitivity) to be set. Setting to a higher figure enables pictures to be taken even in dark places without the resulting pictures coming out dark.

	[100]	[1600]
Recording location (recommended)	When it is light (outdoors)	When it is dark
Shutter speed	Slow	Fast
Noise	Less	Increased
Jitter of the subject	Increased	Less

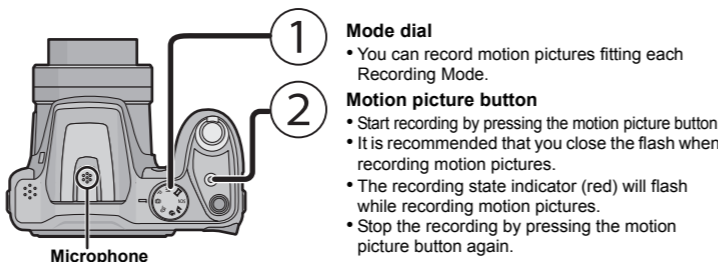
[Date Stamp]

You can take a picture with date and time of recording.

Settings	Description of settings
[W/O TIME]	Stamp the year, month, and day.
[WITH TIME]	Stamp the year, month, day, hour, and minutes.
[OFF]	—

Recording Motion Pictures

This unit can record motion pictures in QuickTime Motion JPEG format.



About the recording quality setting

The recording quality for motion pictures can be changed in [Rec Quality] of the [Motion Picture] menu.

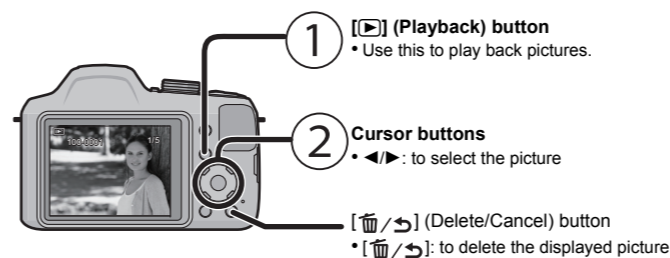
Settings	Picture size	fps	Aspect ratio
[HD]	1280×720	30	16:9
[VGA]	640×480		4:3
[QVGA]	320×240		

- When recording to the built-in memory, [Rec Quality] is fixed to [QVGA].
- Motion pictures can be recorded continuously up to 2 GB. The maximum available recording time for up to 2 GB only is displayed on the screen.

About zooming while recording motion pictures

- The Extended Optical Zoom and Intelligent Zoom cannot be used during the motion picture recording.
- If you use Extended Optical Zoom or Intelligent Zoom, the angle of view may change drastically when you start or finish recording a motion picture.

Playback



Setting the Menu

The camera comes with menus that allow you to choose the settings for taking pictures and playing them back just as you like and menus that enable you to have more fun with the camera and use it more easily.

- 1 Press [MENU/SET].
- 2 Press ◀/▶ to select menu and then press [MENU/SET].

Menu	Description of settings
[Rec]	The menu lets you set the Coloring, Sensitivity or Number of pixels, etc. of pictures you are recording.
[Motion Picture]	This menu lets you set the setting for motion pictures such as recording quality.
[Playback Mode]	This menu lets you select the playback method. The options include slideshow playback.
[Playback]	This menu lets you make changes to the pictures taken. For example, you can set protection for the pictures taken, or crop them.
[Setup]	This menu lets you perform the clock settings, beep tone settings and other settings which make it easier for you to operate the camera.

- 3 Press ▲/▼ to select the menu item and then press [MENU/SET].
 - It will switch to the next page when you reach the bottom. (It will also switch by rotating the zoom lever)
- 4 Press ▲/▼ to select the setting and then press [MENU/SET].
 - Depending on the menu item, its setting may not appear or it may be displayed in a different way.

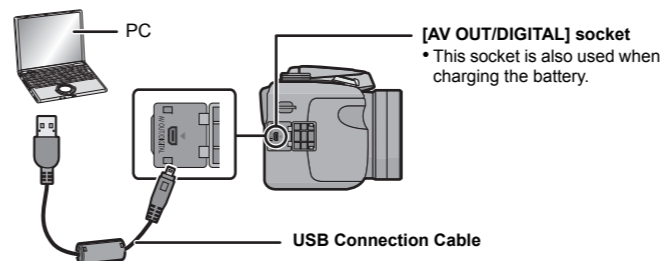
Close the menu

Press [] repeatedly until the screen returns to the recording/playback screen.

- In recording mode, the menu screen can also be exited by pressing the shutter button halfway.
- There are functions that cannot be set or used depending on the modes or menu settings being used on the camera due to the specifications.

Transferring images to a PC

- 1 Connect the computer and camera with the USB connection cable (supplied).



- 2 Press ▲/▼ to select [PC], and then press [MENU/SET].
- 3 Drag and drop files and folders in the camera to the PC.
 - When the image transfer is complete, disconnect the USB connection cable safely.

Playback and editing on a PC

Software for image playback or editing is not supplied with this product.

- To play back or edit still pictures, use standard software.
- To play back motion pictures, use standard software.

Troubleshooting

If the problem is not resolved, it may be improved by selecting [Reset] on the [Setup] menu.

The charging lamp blinks.

- This phenomenon occurs when charging in a location where the temperature is very high or very low.
 - Reconnect the USB connection cable (supplied) in a location where the ambient temperature (and the temperature of battery) is in a 10 °C to 30 °C (50 °F to 86 °F) range, and try charging again.

The charging lamp has gone off but the unit has not been charged.

- If your PC is not capable of supplying sufficient power, charging is not possible.

When recording pictures or half-pressing the shutter button, reddish stripes may appear on the monitor. Alternatively, part or all of the monitor may turn a reddish color.

- This is a characteristic of CCDs, and it appears when the subject has a bright part. Some unevenness may occur in the surrounding areas, but this is not a malfunction. It is recorded in motion pictures but is not recorded on still pictures.
- It is recommended that when you take pictures you take care not to expose the screen to sunlight or any other source of strong light.

Please refer to "Owner's Manual for advanced features (PDF format)" for details.

Specifications

Specifications are subject to change without notice.

Digital Camera: Information for your safety

Power Source:	DC 5 V
Power Consumption:	1.4 W (When recording) 0.8 W (When playing back)

Camera effective pixels	20,000,000 pixels	
Image sensor	1/2.3" CCD sensor, total pixel number 20,500,000 pixels, Primary color filter	
Lens	Optical 42x zoom, f=4.0 mm to 168 mm (35 mm film camera equivalent: 22 mm to 924 mm)/F3.0 (Wide) to F6.5 (Tele)	
Image stabilizer	Optical method	
Focus range	Normal	30 cm (0.98 feet) (Wide)/1.6 m (5.2 feet) (Tele) to ∞
	Macro/ Intelligent auto/ Motion picture	1 cm (0.033 feet) (Wide)/1.6 m (5.2 feet) (Tele) to ∞
	Scene Mode	There may be differences in the above settings.
Shutter system	Electronic shutter+Mechanical shutter	
Shutter speed	15 seconds to 1/1500th of a second [Starry Sky] Mode: 15 seconds, 30 seconds, 60 seconds	
Exposure (AE)	Program AE (P)/Manual Exposure (M)	
Metering mode	Multiple/Center weighted/Spot	
Monitor	3.0" TFT LCD (4:3) (Approx. 460,000 dots) (field of view ratio about 100%)	
Microphone	Monaural	
Speaker	Monaural	
Recording media	Built-in Memory (Approx. 80 MB)/SD Memory Card/SDHC Memory Card/SDXC Memory Card	
Recording file format		
Still Picture	JPEG (based on "Design rule for Camera File system", based on "Exif 2.3" standard)	
Motion pictures	QuickTime Motion JPEG	
Interface		
Digital	"USB 2.0" (High Speed)	
Analog video	NTSC	
Audio	Audio line output (monaural)	
Terminal		
[AV OUT/DIGITAL]	Dedicated jack (8 pin)	
Dimensions (excluding the projecting parts)	Approx. 126.4 mm (W)×86.6 mm (H)×94.2 mm (D) [4.98"(W)×3.41"(H)×3.71"(D)]	
Mass (weight)	Approx. 524 g/1.16 lb (with card and battery) Approx. 498 g/1.10 lb (excluding card and battery)	
Operating temperature	0 °C to 40 °C (32 °F to 104 °F)	
Operating humidity	10%RH to 80%RH	
Language select	[ENGLISH]/[ESPAÑOL]	

AC Adaptor (Panasonic VSK0768):

Information for your safety

Input:	~ 110 V to 240 V, 50/60 Hz, 0.2 A
Output:	--- 5 V, 800 mA

Battery Pack (lithium-ion) (Panasonic DMW-BCM13PP):

Information for your safety

Voltage/capacity:	3.6 V/1250 mAh
--------------------------	----------------

- SDXC Logo is a trademark of SD-3C, LLC.
- QuickTime and the QuickTime logo are trademarks or registered trademarks of Apple Inc., used under license therefrom.

